

IEC Single Phase Capacitor Run Motors Standard Motors up to Frame Size 100

Technical Data

Aluminium housing. Basic version

| IE1 | Rated Output kW | Size | Type | Rated Speed rpm | Nominal Efficiency % | Power Factor | Rated Current at 220V A | Rated Torque Nm | Starting Torque | Starting Current | Capacitor μ F | Capacitor Voltage V |
|---------------------------------|--------------------|-------|-------|--------------------|-------------------------|--------------|-------------------------------|--------------------|---|------------------|----------------------|------------------------|
| | | | | | | | | | For Direct-on-line starting as multiple of the rated | | | |
| | | | | | | | | | Torque | Current | | |
| 3000 rpm, 2-poles, 50 Hz | | | | | | | | | | | | |
| | 0.18 | 63 M | 34180 | 2720 | 64.0 | 0.99 | 1.3 | 0.63 | 0.50 | 3.2 | 10 | 400 |
| | 0.25 | | 34250 | 2750 | 65.0 | 1.00 | 1.8 | 0.86 | 0.60 | 3.5 | 10 | 450 |
| | 0.37 | 71 M | 35370 | 2860 | 71.5 | 0.94 | 2.6 | 1.2 | 0.40 | 3.3 | 12 | 450 |
| | 0.55 | | 35550 | 2800 | 70.0 | 1.00 | 3.6 | 1.9 | 0.48 | 3.0 | 16 | 450 |
| | 0.75 | 80 M | 37750 | 2800 | 70.5 | 1.00 | 4.8 | 2.6 | 0.40 | 2.8 | 25 | 450 |
| | 1.1 | | 37110 | 2850 | 77.0 | 1.00 | 6.5 | 4.3 | 0.35 | 4.0 | 35 | 400 |
| | 1.5 | 90 S | 39150 | 2820 | 77.5 | 0.98 | 8.8 | 5.1 | 0.27 | 3.8 | 40 | 400 |
| | 2.2 | 90 L | 39220 | 2850 | 79.0 | 0.95 | 13.3 | 7.3 | 0.26 | 4.1 | 50 | 400 |
| 1500 rpm, 4-poles, 50 Hz | | | | | | | | | | | | |
| | 0.12 | 63 M | 41120 | 1350 | 54.5 | 1.00 | 1.0 | 0.85 | 0.54 | 2.2 | 8 | 400 |
| | 0.18 | | 41180 | 1385 | 56.6 | 0.98 | 1.5 | 1.25 | 0.55 | 2.2 | 10 | 450 |
| | 0.25 | 71 M | 36250 | 1390 | 59.0 | 0.97 | 2.0 | 1.7 | 0.71 | 1.9 | 18 | 450 |
| | 0.37 | | 36370 | 1400 | 61.2 | 0.95 | 2.8 | 2.6 | 0.48 | 2.4 | 14 | 450 |
| | 0.55 | 80 M | 38550 | 1395 | 68.5 | 0.98 | 3.6 | 3.8 | 0.32 | 3.9 | 30 | 400 |
| | 0.75 | | 38750 | 1385 | 68.0 | 0.95 | 5.0 | 5.2 | 0.25 | 4.2 | 30 | 400 |
| | 1.1 | 90 S | 40110 | 1425 | 77.0 | 0.94 | 6.9 | 7.4 | 0.32 | 4.6 | 35 | 450 |
| | 1.5 | 90 L | 40150 | 1430 | 77.5 | 0.96 | 9.2 | 10 | 0.33 | 4.8 | 45 | 450 |
| | 2.2 | 100 L | 43220 | 1445 | 79.5 | 0.95 | 13.2 | 14.5 | 0.31 | 5.2 | 70 | 400 |

* Flange-mounted (B5) and foot-mounted (B3) are available for all type of motors.



ELECTROGEN

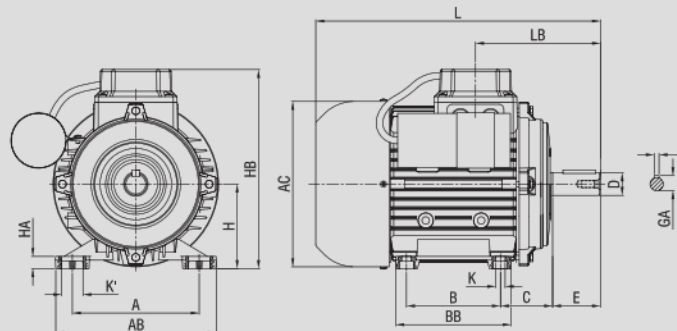


IEC Single Phase Squirrel-Cage Motors Foot-Mounted Motors, IMB3

Dimensions



| Frame Size | No. of Poles | Dimension drawing according to IEC | | | | | | | | | | | | | | | | |
|------------|--------------|------------------------------------|-----|-----|----|-----|------|----|----|----|------|------|-------|-------|-------|-------|-------|-----|
| | | H | B | A | C | K | K' | D | E | F | GA | HA | BB | AB | AC | HB | LB | L |
| 63 | 2-8 | 63 | 80 | 100 | 40 | M6 | 12 | 11 | 23 | 4 | 12.5 | 7 | 101 | 120 | 124 | 155 | 91.5 | 208 |
| 71 | | 71 | 90 | 112 | 47 | | 11 | 14 | 30 | 5 | 16 | 8 | 112 | 136 | 141 | 171.5 | 105 | 244 |
| 80 | | 80 | 100 | 125 | 50 | M8 | 15.5 | 19 | 40 | 6 | 21.5 | 12 | 125 | 150 | 159 | 193 | 118 | 273 |
| 90 | | 90 | | 140 | 56 | | 18 | 24 | 50 | 8 | 26.9 | 13 | 123 | 171 | 176 | 210 | 133 | 306 |
| 100 | | 100 | 140 | 160 | 63 | M10 | 21 | 28 | 60 | | 30.9 | 12.5 | 174.5 | 194 | 194.5 | 235 | 152.5 | 403 |
| 112 | | 112 | 140 | 190 | 70 | | | | | 14 | | 183 | 226.5 | 219.5 | 259 | 161 | 416 | |

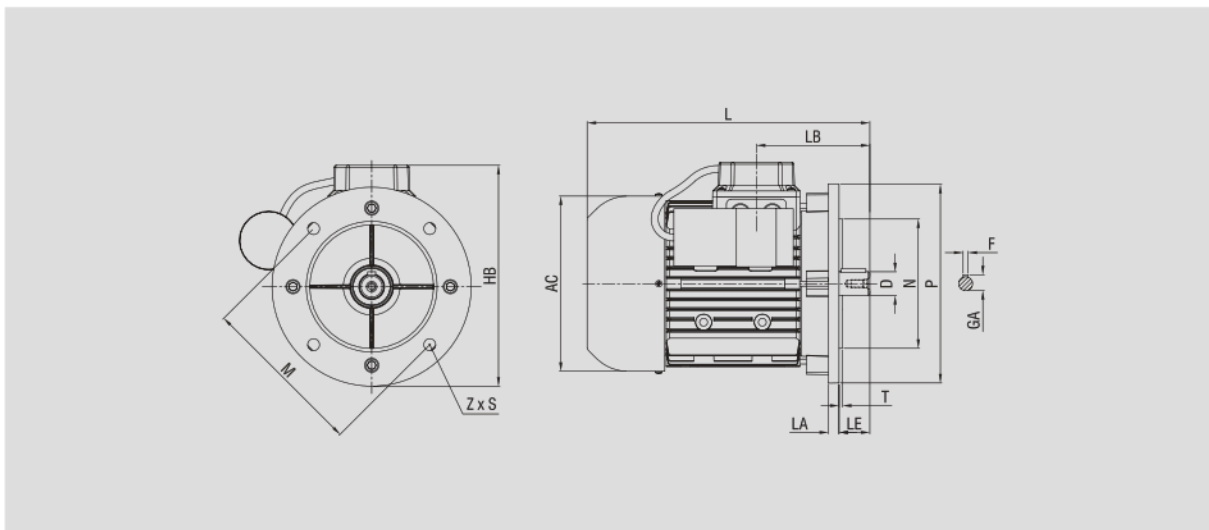


IEC Single Phase Squirrel-Cage Motors Flange-Mounted Motors, IMB5

Dimensions



| Frame Size | No. of Poles | Dimension drawing according to IEC | | | | | | | | | | | | | | |
|------------|--------------|------------------------------------|-----|-----|------|-----|----|----|------|------|-------|-------|---|-----|-------|-----|
| | | P | N | M | LA | T | D | LE | F | GA | AC | HB | Z | S | LB | L |
| 63 | 2-8 | 140 | 95 | 115 | 10 | 3 | 11 | 23 | 4 | 12.6 | 124 | 160 | 4 | M8 | 91.5 | 208 |
| 71 | | 160 | 110 | 130 | 9 | | 14 | 30 | 5 | 16 | 141 | 180.5 | | | 105 | 244 |
| 80 | | 200 | 130 | 165 | 11 | 3.5 | 19 | 40 | 6 | 21.5 | 159 | 213 | | M10 | 118 | 273 |
| 90 | | 200 | | | | | 24 | 50 | 26.9 | 176 | 220 | 133 | | | 306 | |
| 100 | | 250 | 180 | 215 | 12.5 | 4 | 28 | 60 | 8 | 30.9 | 194.5 | 257 | | M12 | 152.5 | 403 |
| 112 | | 250 | | | 15 | | | | | | 219.5 | 272 | | | 161 | 416 |





ELECTROGEN

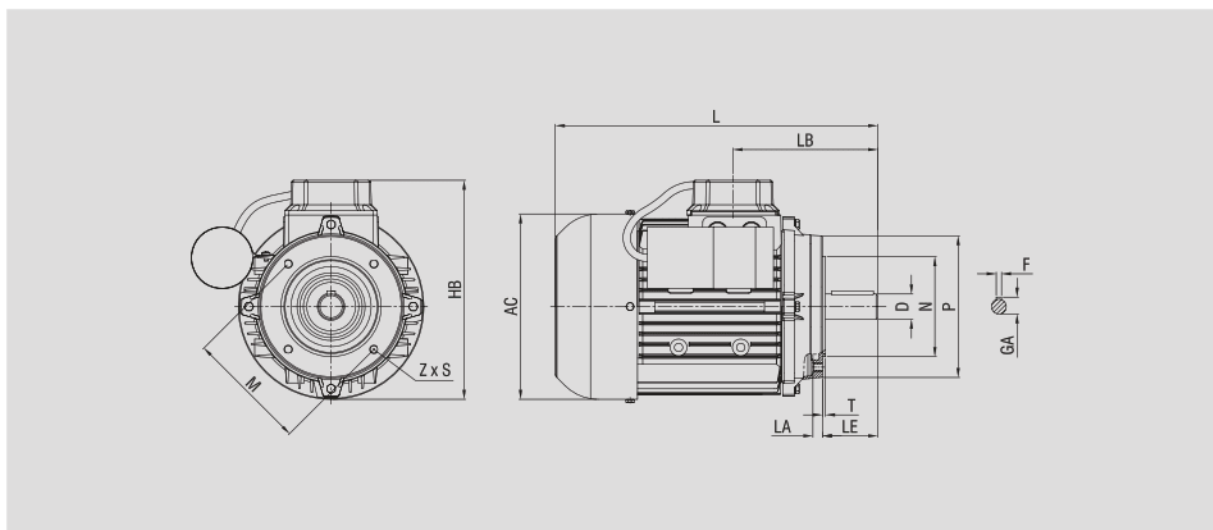


IEC Single Phase Squirrel-Cage Motors Flange-Mounted Motors, IMB14

Dimensions



| Frame Size | No. of Poles | Dimension drawing according to IEC | | | | | | | | | | | | | | | |
|------------|--------------|------------------------------------|-----|-----|-----|-----|------|----|-----|-----|-----|------|---|-----|----|-------|------|
| | | P | N | M | LA | T | D | LE | AC | HB | L | LB | Z | S | F | GA | |
| 63 | 2-8 | 90 | 60 | 75 | 8 | 2.5 | 11 | 23 | 124 | 153 | 208 | 91.5 | 4 | M4 | 4 | 12.6 | |
| 71 | | 106 | 70 | 85 | 9.5 | 3 | 14 | 30 | 141 | 171 | 244 | 105 | | | M6 | 5 | 16 |
| 80 | | 119 | 80 | 100 | 9 | | 19 | 40 | 159 | 195 | 273 | 118 | | | | 6 | 21.5 |
| 90 | | 135 | 95 | 115 | 17 | 3.5 | 24 | 50 | 176 | 210 | 306 | 133 | | M8 | 8 | 26.9 | |
| 100 | | 160 | 110 | 130 | | | 16.5 | 28 | 60 | 194 | 233 | 403 | | | | 152.5 | 30.9 |
| 112 | | | | | | | | | | 218 | 257 | 416 | | 161 | | | |



IEC Single Phase Squirrel-Cage Motors Foot and Flange-Mounted Motors, IMB35

Dimensions



| Frame Size | No. of Poles | Dimension drawing according to IEC | | | | | | | | | | | | | | | | | | | | | | | |
|------------|--------------|------------------------------------|-----|-----|------|-----|----|----|-----|------|-------|-------|---|-------|------|-----|-----|-----|-----|------|-------|------|-----|-----|-----|
| | | P | N | M | LA | T | D | LE | F | GA | AC | HB | Z | S | LB | L | A | B | K | K' | HA | BB | AB | | |
| 63 | 2-8 | 140 | 95 | 115 | 10 | 3 | 11 | 23 | 4 | 12.6 | 124 | 160 | 4 | M8 | 91.5 | 208 | 100 | 80 | M6 | 12 | 7 | 101 | 120 | | |
| 71 | | 160 | 110 | 130 | 9 | | 14 | 30 | 5 | 16 | 141 | 180.5 | | | 105 | 244 | 112 | 90 | | 11 | 8 | 112 | 136 | | |
| 80 | | 200 | 130 | 165 | 11 | 3.5 | 19 | 40 | 6 | 21.5 | 159 | 213 | | 26.9 | 176 | 220 | 118 | 273 | 125 | 100 | M8 | 15.5 | 12 | 125 | 150 |
| 90 | | 200 | | | | | 24 | 50 | 133 | 306 | 140 | 18 | | | | | | | | | | 13 | 123 | 171 | |
| 100 | | 250 | 180 | 215 | 12.5 | 4 | 28 | 60 | 8 | 30.9 | 194.5 | 257 | | 152.5 | 403 | 160 | 140 | M10 | 21 | 12.5 | 174.5 | 194 | | | |
| 112 | | 250 | | | 15 | | | | | | | | | | | | | | | | | | 161 | 416 | 190 |

