



ELECTROGEN



## IEC Three Phase Squirrel-Cage Motors Standard Motors up to Frame Size 160

### Technical Data

Aluminium housing. Basic version

IE1	Rated Output kW	Size	Type	Rated Speed rpm	Nominal Efficiency	Power Factor	Rated Current at 400v A	Rated Torque Nm	Starting Torque	Starting Current
									For Direct-on-line starting as multiple of the rated	
									Torque	Current
<b>3000 rpm, 2-poles, 50 Hz, 400V</b>										
0.18	0.25	63	34183 34253	2800 2770	63.0 67.6	0.82 0.75	0.50 0.72	0.61 0.86	2.8 3.1	3.7 3.5
0.37	0.55	71	35373 35553	2800 2800	70.0 72.0	0.80 0.82	1.00 1.50	1.3 1.85	3.0 3.3	5.0 5.4
0.75	1.1	80	37753 37113	2830 2850	78.3 77.9	0.80 0.80	1.70 2.60	2.5 3.8	3.1 3.4	6.0 5.7
1.5	2.2	90	39153 39223	2860 2880	79.0 82.0	0.85 0.85	3.25 4.55	5.0 7.3	2.4 2.8	5.5 6.3
3	4	100L 112M	42035 45045	2830 2860	84.0 86.0	0.82 0.82	6.50 8.40	9.9 13.0	2.8 2.6	6.8 7.2
5.5	7.5	132	48555 48755	2880 2890	86.5 88.0	0.87 0.86	10.70 14.50	18.0 24.0	2.0 2.3	5.9 6.9
11	15	160	51115	2915	89.5	0.86	21.30	36.0	2.1	6.5
18.5	51155		2920	90.0	0.87	27.90	49.0	2.2	6.6	
			51185	2940	91.0	0.87	33.90	60.0	2.4	7.0
<b>1500 rpm, 4-poles, 50 Hz, 400V</b>										
0.12	0.18	63	41123 41183	1350 1350	55.0 60.0	0.75 0.77	0.42 0.56	0.85 1.3	1.9 1.9	2.8 3.0
0.25	0.37	71	36253 36373	1380 1390	68.6 71.8	0.68 0.7	0.78 1.25	1.8 2.6	1.9 2.5	3.8 3.5
0.55	0.75	80	38553 38753	1410 1420	74.0 76.2	0.74 0.77	1.50 1.80	3.8 5.1	2.3 2.3	4.9 5.3
1.1	1.5	90	40113 40153	1410 1410	78.0 80.0	0.77 0.79	2.60 3.40	7.4 10.0	2.3 2.4	4.9 5.9
2.2	3	100L	43225 43035	1420 1420	82.0 83.0	0.82 0.82	4.70 6.40	15.0 20.0	2.5 2.7	5.6 5.6
4		112M	46045	1425	83.6	0.83	8.40	27.0	1.9	5.7
5.5	7.5	132	49555 49755	1430 1440	85.7 86.0	0.83 0.83	11.40 15.70	37.0 50.0	2.0 2.3	4.9 5.4
11	15	160	52115 52155	1460 1460	88.5 89.9	0.88 0.89	20.80 27.20	72.0 98.0	2.4 2.5	6.2 6.2

\* Flange-mounted (B5) and foot-mounted (B3) are available for all type of motors.



ELECTROGEN

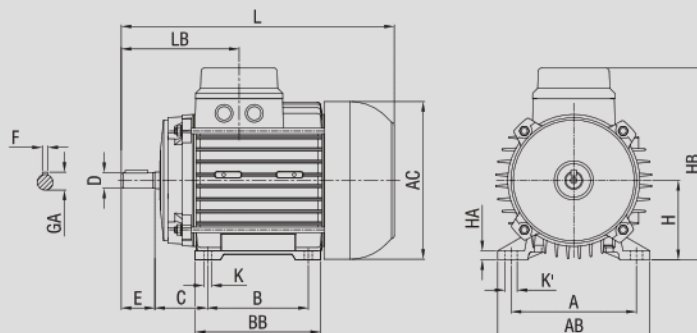


## IEC Three Phase Squirrel-Cage Motors Foot-Mounted Motor,IMB3

### Dimensions



Frame Size	Housing		No. of Poles	Dimension drawing according to IEC																			
	Cast Aluminium	Cast Iron		H	B	A	C	K	K'	D	E	F	GA	HA	BB	AB	AC	HB	LB	L			
63	Yes	No	2-8	63	80	100	40	M6	12	11	23	4	12.5	7	101	120	124	155	91.5	208			
71				71	90	112	47		11	14	30	5	16	8	112	136	141	171.5	105	244			
80				100	124.5	50	M8	15.5	19	40	6	21.5	12	125	150	159	193	118	273				
90S								18	24	50	26.9	13	123	171	176	210	133	306					
90L				125	140	56	M8	18	24	50	8	30.9	12.5	174.5	194	194.5	235	152.5	403				
100														14	183	226.5	219.5	259	161	416			
112				178-210	216	89	M10	21	28	60	38	80	10	41.3	16	248	260	259	327	215	532		
132																						160	160
160				Yes	Yes	2-8	160	254	254	108	M12	23	42	110	12	45.1	23	302	318	156.5	393	264	615
180				No	Yes		180	239-277	279	121		19	48		14	51.5	19	325	344	354	437	339	664
200	200	305	318				133	26	55	16	58.8	27	352	377	395	495	307	723					
225	225	286-311	357	149	M16		27	60	140	18	63.8	34	357	437	438	546	407	832					

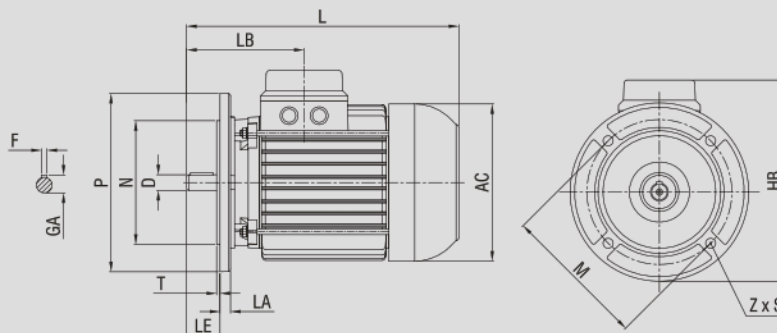


## IEC Three Phase Squirrel-Cage Motors Flange-Mounted Motor, IMB5

### Dimensions



Frame Size	Housing		No. of Poles	Dimension drawing according to IEC																			
	Cast Aluminium	Cast Iron		P	N	M	LA	T	D	LE	F	GA	AC	HB	Z	S	LB	L					
63	Yes	No	2-8	140	95	115	10	3	11	23	4	12.6	124	160	4	M8	91.5	208					
71				160	110	130	9	3.5	14	30	5	16	141	180.5			105	244					
80				200	130	165	11		19	40	6	21.5	159	213			118	273					
90S				200				24	50	8	26.9	176	220	133			306						
90L				250	180	215	12.5	4	28		60	30.9	194.5	257	M12	152.5	403						
100				250	230	265	15		38	80	10	41.3	259	346		161	416						
112				300	230	265	17	5	48	110	14	51.5	355	434	M16	215	532						
132				350	250	300	13									42	12	45.1	313	404	264	615	
160				400	300	350	15									48	14	51.5	355	434	339	664	
180				No	Yes	2-8	400	300	350	15	5	55	16	58.8	395	521	8	M16	307	723			
200	450	350	400				16	60	140	18									63.8	438	546	407	832
225																							





ELECTROGEN

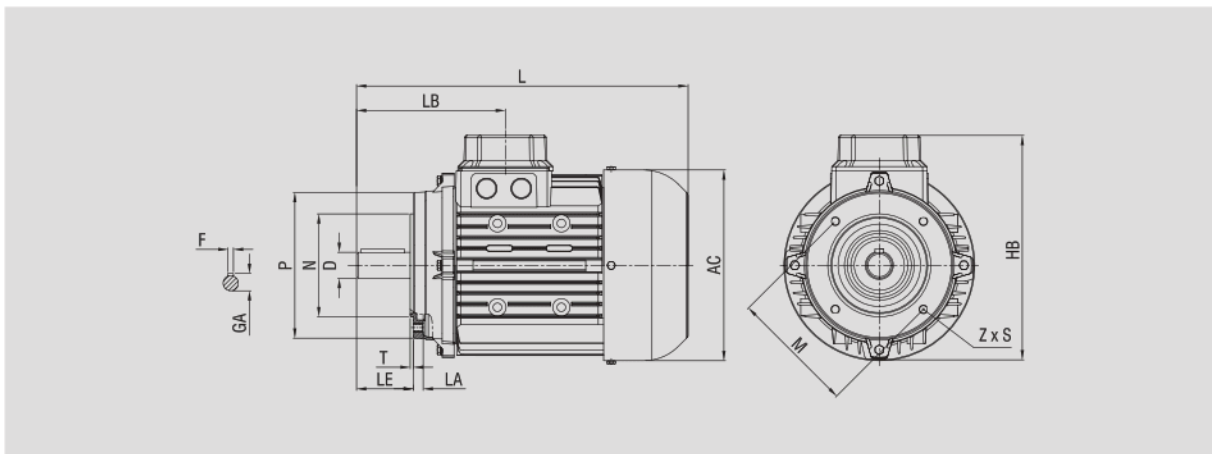


## IEC Three Phase Squirrel-Cage Motors Flange-Mounted Motor,IMB14

### Dimensions



Frame Size	Housing		No. of Poles	Dimension drawing according to IEC															
	Cast Aluminium	Cast Iron		P	N	M	LA	T	D	LE	AC	HB	L	LB	Z	S	F	GA	
63	Yes	No	2-8	90	60	75	8	2.5	11	23	124	153	208	91.5	4	M4	4	12.6	
71				106	70	85	9.5		3	14	30	141	171	244			105	M6	5
80				119	80	100	9			19	40	159	195	273		118	M8		6
90S				135	95	115		17	3.5	24	50	176	210	306		133		8	26.9
90L							331												
100				160	110	130	17	3.5	28	60	194	233	403	152.5		8	30.9		
112							16.5						218		257			416	161



## IEC Three Phase Squirrel-Cage Motors Foot and Flange-Mounted Motor, IMB35

### Dimensions



Frame Size	Housing		No. of Poles	Dimension drawing according to IEC																											
	Cast Aluminium	Cast Iron		P	N	M	LA	T	D	LE	F	GA	AC	HB	Z	S	LB	L	B	A	K	K'	HA	BB	AB						
63	Yes	No	2-8	140	95	115	10	3	11	23	4	12.6	124	160	4	M8	91.5	208	80	100	M6	12	7	101	120						
71				160	110	130	9	3.5	14	30	5	16	141	180.5			180.5	105	244	90		112	11	8	112	136					
80				200	130	165	11		19	40	6	21.5	159	213		213	M10	118	273	100	124.5	M8	15.5	12	125	150					
90S				200				24	50	8	26.9	176	220	133		306		125	140		18		13	123	171						
90L				Yes	Yes	2-8	250	180	215		12.5	4	28	60		30.9	194.5	257	M12	152.5	403	140	160	M10	21	12.5	175	194			
100							250			15	38		80	10			41.3	259		346	219.5	272	216			161	416	140	190	14	183
112							Yes	Yes	2-8	300	230	265	17	5		42	110	14	45.1	313	404	M16	264	615	254	254	M12	23	23	302	318
160										350	250	300	19			48			14	51.5	355		434	279	279	19		19	325	344	
180				No	Yes	2-8	5	400	300	350	15	55	180	16		58.8	395	521	M16	307	723	305	318	M16	26	27	352	377			
200								450	350	400	16	60				140	18	63.8		438	546	546	407		832	286-311	357	27	34	357	437
225																															

