



ELECTROGEN



IEC Three Phase Squirrel-Cage Motors Standard Motors up to Frame Size 160

Technical Data

Aluminium housing. Basic version

IE1	Rated Output kW	Size	Type	Rated Speed rpm	Nominal Efficiency	Power Factor	Rated Current at 400v A	Rated Torque Nm	Starting Torque	Starting Current
									For Direct-on-line starting as multiple of the rated	
									Torque	Current
3000 rpm, 2-poles, 50 Hz, 400V										
0.18	63	34183	2800	63.0	0.82	0.50	0.61	2.8	3.7	
0.25		34253	2770	67.6	0.75	0.72	0.86	3.1	3.5	
0.37	71	35373	2800	70.0	0.80	1.00	1.3	3.0	5.0	
0.55		35553	2800	72.0	0.82	1.50	1.85	3.3	5.4	
0.75	80	37753	2830	78.3	0.80	1.70	2.5	3.1	6.0	
1.1		37113	2850	77.9	0.80	2.60	3.8	3.4	5.7	
1.5	90	39153	2860	79.0	0.85	3.25	5.0	2.4	5.5	
2.2		39223	2880	82.0	0.85	4.55	7.3	2.8	6.3	
3	100L	42035	2830	84.0	0.82	6.50	9.9	2.8	6.8	
4	112M	45045	2860	86.0	0.82	8.40	13.0	2.6	7.2	
5.5	132	48555	2880	86.5	0.87	10.70	18.0	2.0	5.9	
7.5		48755	2890	88.0	0.86	14.50	24.0	2.3	6.9	
11	160	51115	2915	89.5	0.86	21.30	36.0	2.1	6.5	
15		51155	2920	90.0	0.87	27.90	49.0	2.2	6.6	
18.5		51185	2940	91.0	0.87	33.90	60.0	2.4	7.0	
1500 rpm, 4-poles, 50 Hz, 400V										
0.12	63	41123	1350	55.0	0.75	0.42	0.85	1.9	2.8	
0.18		41183	1350	60.0	0.77	0.56	1.3	1.9	3.0	
0.25	71	36253	1380	68.6	0.68	0.78	1.8	1.9	3.8	
0.37		36373	1390	71.8	0.7	1.25	2.6	2.5	3.5	
0.55	80	38553	1410	74.0	0.74	1.50	3.8	2.3	4.9	
0.75		38753	1420	76.2	0.77	1.80	5.1	2.3	5.3	
1.1	90	40113	1410	78.0	0.77	2.60	7.4	2.3	4.9	
1.5		40153	1410	80.0	0.79	3.40	10.0	2.4	5.9	
2.2	100L	43225	1420	82.0	0.82	4.70	15.0	2.5	5.6	
3		43035	1420	83.0	0.82	6.40	20.0	2.7	5.6	
4	112M	46045	1425	83.6	0.83	8.40	27.0	1.9	5.7	
5.5	132	49555	1430	85.7	0.83	11.40	37.0	2.0	4.9	
7.5		49755	1440	86.0	0.83	15.70	50.0	2.3	5.4	
11	160	52115	1460	88.5	0.88	20.80	72.0	2.4	6.2	
15		52155	1460	89.9	0.89	27.20	98.0	2.5	6.2	

* Flange-mounted (B5) and foot-mounted (B3) are available for all type of motors.

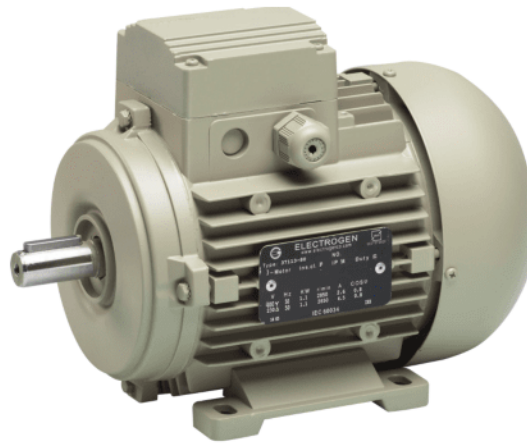


ELECTROGEN

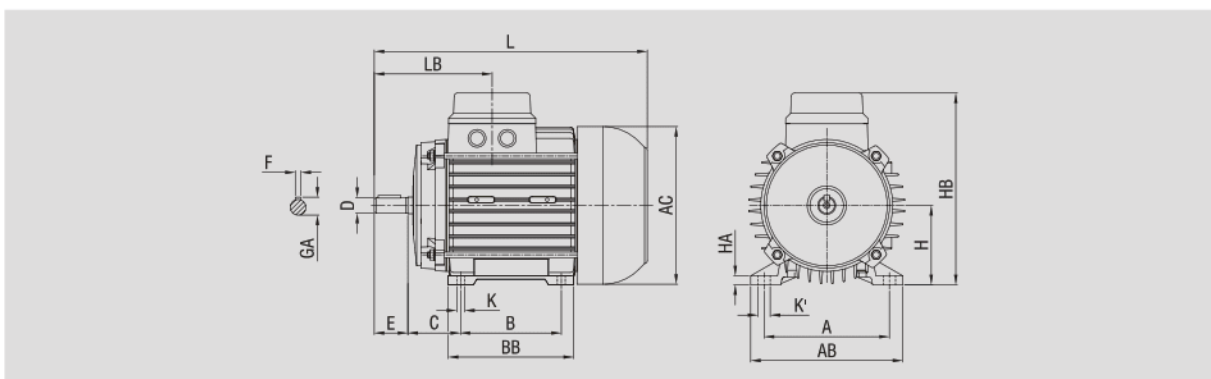


IEC Three Phase Squirrel-Cage Motors
Foot-Mounted Motor, IMB3

Dimensions



Frame Size	Housing		No. of Poles	Dimension drawing according to IEC																			
	Cast Aluminium	Cast Iron		H	B	A	C	K	K'	D	E	F	GA	HA	BB	AB	AC	HB	LB	L			
63	Yes	No	2-8	63	80	100	40	M6	12	11	23	4	12.5	7	101	120	124	155	91.5	208			
71				71	90	112	47		11	14	30	5	16	8	112	136	141	171.5	105	244			
80				100	50	M8	80	124.5	15.5	19	40	6	21.5	12	125	150	159	193	118	273			
90S							90	140	56	18	24	50	26.9	13	123	171	176	210	133	306			
90L				Yes	No	2-8	90	125	140	56	M10	21	28	60	8	30.9	148	171	176	210	133	331	
100							100	140									160	63	12.5	174.5	194	194.5	235
112							112	140	190	70	14	183	226.5	219.5	259	161	416						
132							132	178-210	216	89	38	80	10	41.3	16	248	260	259	327	215	532		
160				Yes	Yes	2-8	160	254	254	108	M12	23	42	110	12	45.1	23	302	318	156.5	393	264	615
180				180	239-277		279	121	19	48		14	51.5		19	325	344	354	437	339	664		
200	No	Yes	2-8	200	305	318	133	M16	26	55	140	16	58.8	27	352	377	395	495	307	723			
225				225	286-311	357	149		27	60		18	63.8	34	357	437	438	546	407	832			

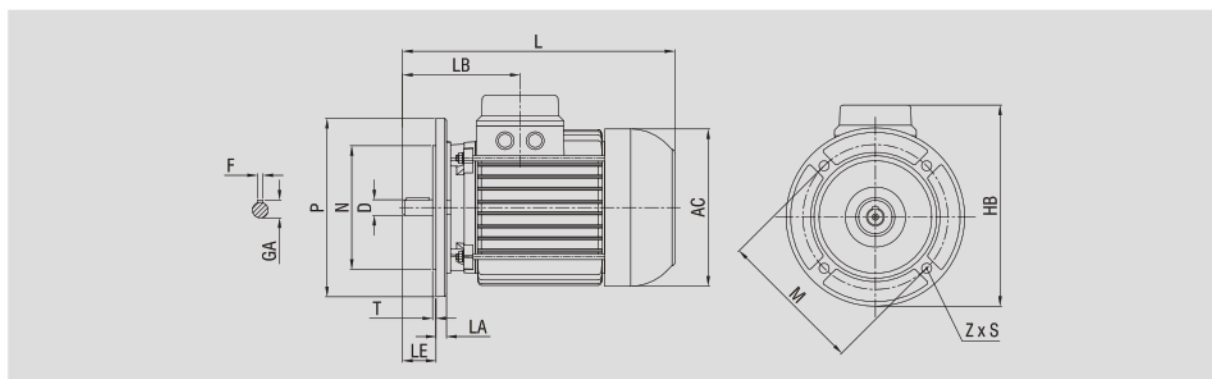


IEC Three Phase Squirrel-Cage Motors Flange-Mounted Motor, IMB5

Dimensions



Frame Size	Housing		No. of Poles	Dimension drawing according to IEC																
	Cast Aluminium	Cast Iron		P	N	M	LA	T	D	LE	F	GA	AC	HB	Z	S	LB	L		
63	Yes	No	2-8	140	95	115	10	3	11	23	4	12.6	124	160	4	M8	91.5	208		
71				160	110	130	9	3.5	14	30	5	16	141	180.5			105	244		
80				200	130	165	11		19	40	6	21.5	159	213		118	273			
90S				200				24	50	8	26.9	176	220	133		306				
90L				250	180	215	12.5	4	28		60	30.9	194.5	257		152.5	403			
100				250			15		219.5	272	161	416								
112				300	230	265	17	38	80	10	41.3	259	346	215		532				
132				Yes	Yes	5	350	250	300	19	42	110	12	45.1		313	404	M16	264	615
160							350	13	48	14	51.5		355	434		339	664			
180				No	Yes	5	400	300	350	15	55	140	16	58.8		395	521	8	307	723
200	400	350	15				60	18	63.8	438	546		407	832						
225	450	350	400				16	60	140	18	63.8		438	546	8	407	832			





ELECTROGEN

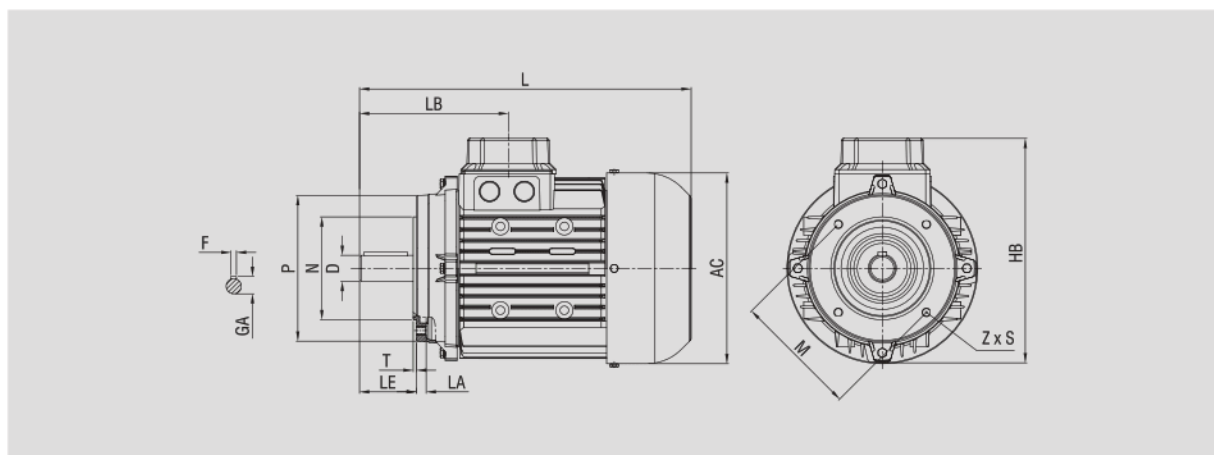


IEC Three Phase Squirrel-Cage Motors Flange-Mounted Motor,IMB14

Dimensions



Frame Size	Housing		No. of Poles	Dimension drawing according to IEC																
	Cast Aluminium	Cast Iron		P	N	M	LA	T	D	LE	AC	HB	L	LB	Z	S	F	GA		
63	Yes	No	2-8	90	60	75	8	2.5	11	23	124	153	208	91.5	4	M4	4	12.6		
71				106	70	85	9.5		3	14	30	141	171	244			105	M6	5	16
80				119	80	100	9			19	40	159	195	273			118		M8	6
90S				135	95	115		24	50	176	210	306	133	8		26.9				
90L				160	110	130		17	3.5	28	60	194	233				403	152.5		
100								16.5				218	257	416		161	30.9			
112																				



IEC Three Phase Squirrel-Cage Motors Foot and Flange-Mounted Motor, IMB35

Dimensions



Frame Size	Housing		No. of Poles	Dimension drawing according to IEC																							
	Cast Aluminium	Cast Iron		P	N	M	LA	T	D	LE	F	GA	AC	HB	Z	S	LB	L	B	A	K	K'	HA	BB	AB		
	Yes	No																									
63	Yes	No	2-8	140	95	115	10	3	11	23	4	12.6	124	160	4	M8	91.5	208	80	100	M6	12	7	101	120		
71				160	110	130	9	3.5	14	30	5	16	141	180.5			105	244	90	112		11	8	112	136		
80				200	130	165	11		19	40	6	21.5	159	213			118	273	100	124.5		15.5	12	125	150		
90S				200				24	50	8	26.9	176	220	133			306	140				18	13	123	171		
90L				Yes	Yes	250	180	215	12.5		4	28	60	30.9			194.5		257	152.5		403	140	160	M10	12.5	175
100						250				15							219.5	272	161	416		140	190	14		183	227
112						300	230	265	17	38	80	10	41.3	259		346	215	532	178-210	216	16	248	260				
132				No	Yes	5	350	250	300	19	42	110	14	51.5		355	434	M12	264	615	254	254	M12	23	23	302	318
160							350												13	48	14	51.5		355	434	339	664
180							400	300	350	15	55	16	58.8	395		521	307		723	305	318	26		27	352	377	
200							450	350	400	16	60	140	18	63.8		438	546		407	832	286-311	357		27	34	357	437
225																											

