



ELECTROGEN



## IEC Three Phase Squirrel-Cage Motors Standard Motors up to Frame Size 160

### Technical Data

Aluminium housing. Basic version

IE1	Rated Output kW	Size	Type	Rated Speed rpm	Nominal Efficiency	Power Factor	Rated Current at 400v A	Rated Torque Nm	Starting Torque	Starting Current
									For Direct-on-line starting as multiple of the rated	
									Torque	Current
3000 rpm, 2-poles, 50 Hz, 400V										
0.18	63	34183	2800	63.0	0.82	0.50	0.61	2.8	3.7	
0.25		34253	2770	67.6	0.75	0.72	0.86	3.1	3.5	
0.37	71	35373	2800	70.0	0.80	1.00	1.3	3.0	5.0	
0.55		35553	2800	72.0	0.82	1.50	1.85	3.3	5.4	
0.75	80	37753	2830	78.3	0.80	1.70	2.5	3.1	6.0	
1.1		37113	2850	77.9	0.80	2.60	3.8	3.4	5.7	
1.5	90	39153	2860	79.0	0.85	3.25	5.0	2.4	5.5	
2.2		39223	2880	82.0	0.85	4.55	7.3	2.8	6.3	
3	100L	42035	2830	84.0	0.82	6.50	9.9	2.8	6.8	
4	112M	45045	2860	86.0	0.82	8.40	13.0	2.6	7.2	
5.5	132	48555	2880	86.5	0.87	10.70	18.0	2.0	5.9	
7.5		48755	2890	88.0	0.86	14.50	24.0	2.3	6.9	
11	160	51115	2915	89.5	0.86	21.30	36.0	2.1	6.5	
15		51155	2920	90.0	0.87	27.90	49.0	2.2	6.6	
18.5		51185	2940	91.0	0.87	33.90	60.0	2.4	7.0	
1500 rpm, 4-poles, 50 Hz, 400V										
0.12	63	41123	1350	55.0	0.75	0.42	0.85	1.9	2.8	
0.18		41183	1350	60.0	0.77	0.56	1.3	1.9	3.0	
0.25	71	36253	1380	68.6	0.68	0.78	1.8	1.9	3.8	
0.37		36373	1390	71.8	0.7	1.25	2.6	2.5	3.5	
0.55	80	38553	1410	74.0	0.74	1.50	3.8	2.3	4.9	
0.75		38753	1420	76.2	0.77	1.80	5.1	2.3	5.3	
1.1	90	40113	1410	78.0	0.77	2.60	7.4	2.3	4.9	
1.5		40153	1410	80.0	0.79	3.40	10.0	2.4	5.9	
2.2	100L	43225	1420	82.0	0.82	4.70	15.0	2.5	5.6	
3		43035	1420	83.0	0.82	6.40	20.0	2.7	5.6	
4	112M	46045	1425	83.6	0.83	8.40	27.0	1.9	5.7	
5.5	132	49555	1430	85.7	0.83	11.40	37.0	2.0	4.9	
7.5		49755	1440	86.0	0.83	15.70	50.0	2.3	5.4	
11	160	52115	1460	88.5	0.88	20.80	72.0	2.4	6.2	
15		52155	1460	89.9	0.89	27.20	98.0	2.5	6.2	



\* Flange-mounted (B5) and foot-mounted (B3) are available for all type of motors.

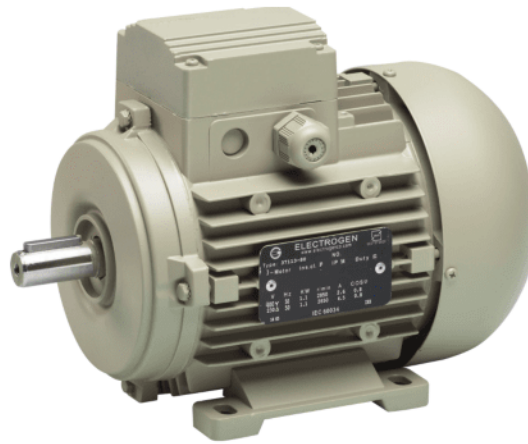


ELECTROGEN

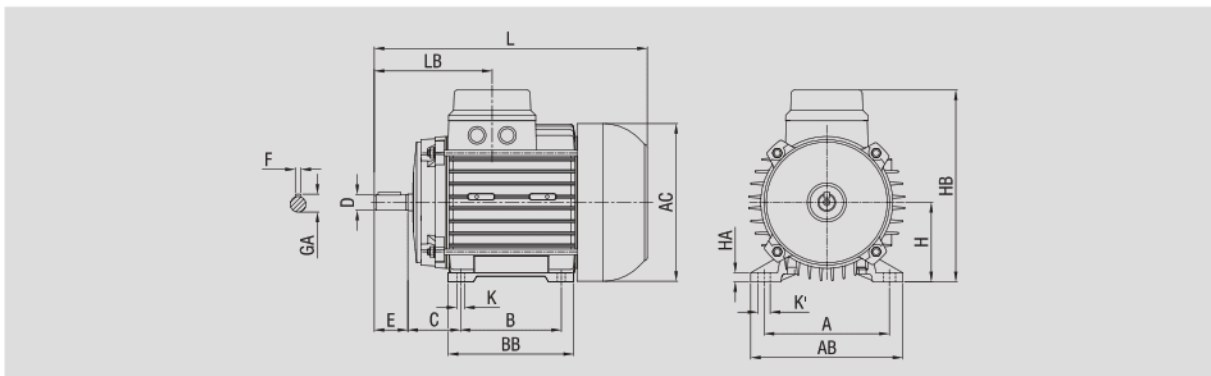


IEC Three Phase Squirrel-Cage Motors  
Foot-Mounted Motor, IMB3

Dimensions



Frame Size	Housing		No. of Poles	Dimension drawing according to IEC																										
	Cast Aluminium	Cast Iron		H	B	A	C	K	K'	D	E	F	GA	HA	BB	AB	AC	HB	LB	L										
63	Yes	No	2-8	63	80	100	40	M6	12	11	23	4	12.5	7	101	120	124	155	91.5	208										
71				71	90	112	47		11	14	30	5	16	8	112	136	141	171.5	105	244										
80				100	50	M8	80	15.5	19	40	6	21.5	12	125	150	159	193	118	273											
90S							90	18	24	50	26.9	13	123	171	176	210	133	306												
90L				125	56	M10	90	30.9	8	21	28	60	10	41.3	16	248	260	259	327	215	532									
100							100	140														160	63	12.5	174.5	194	194.5	235	152.5	403
112							112	140														190	70	14	183	226.5	219.5	259	161	416
132				Yes	Yes	M12	132	178-210	216	89	38	80	14	51.5	19	325	344	354	437	339	664									
160							160	254	254	108	23	42	12	45.1	23	302	318	156.5	393	264	615									
180				No	Yes	M16	180	239-277	279	121	19	48	110	16	58.8	27	352	377	395	495	307	723								
200	200	305	318				133	26	55	16	58.8	27	352	377	395	495	307	723												
225	225	286-311	357				149	27	60	140	18	63.8	34	357	437	438	546	407	832											

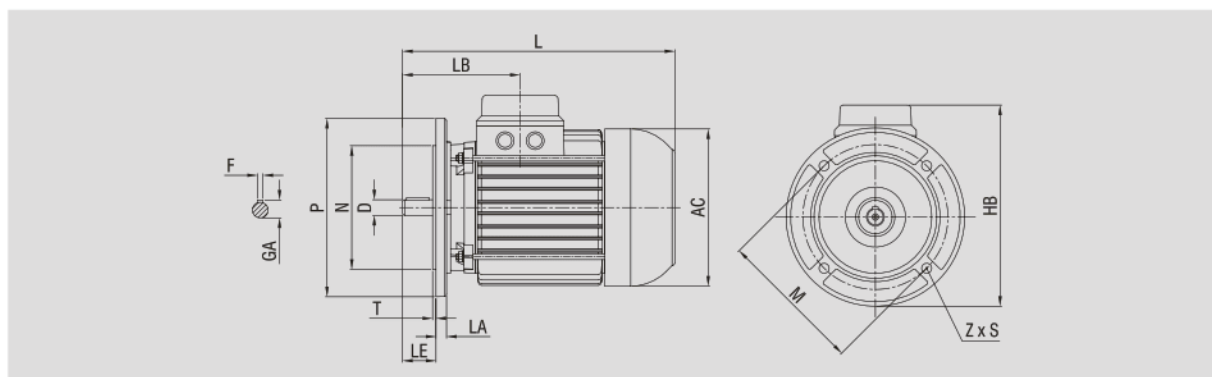


## IEC Three Phase Squirrel-Cage Motors Flange-Mounted Motor, IMB5

### Dimensions



Frame Size	Housing		No. of Poles	Dimension drawing according to IEC															
	Cast Aluminium	Cast Iron		P	N	M	LA	T	D	LE	F	GA	AC	HB	Z	S	LB	L	
63	Yes	No	2-8	140	95	115	10	3	11	23	4	12.6	124	160	4	M8	91.5	208	
71				160	110	130	9	3.5	14	30	5	16	141	180.5			105	244	
80				200	130	165	11		19	40	6	21.5	159	213		118	273		
90S				200				24	50	8	26.9	176	220	M10		133	306		
90L				250	180	215	12.5	4	28		60	30.9	194.5			257	152.5	403	
100				250			15		38	80	10	41.3	259	346		M12	161	416	
112				300	230	265	17	48	110	14	51.5	355	434	215			532		
132				Yes	Yes	5	350	250	300	19	42	12	45.1	313		404	M16	264	615
160							350	13	48	14	51.5		355	434		339		664	
180				No	Yes	5	400	300	350	15	55	16	58.8	395		521	8	Z x S	307
200	400	300	350				15	60	140	18	63.8		438	546	407	832			
225	450	350	400				16	60	140	18	63.8		438	546	407	832			





ELECTROGEN

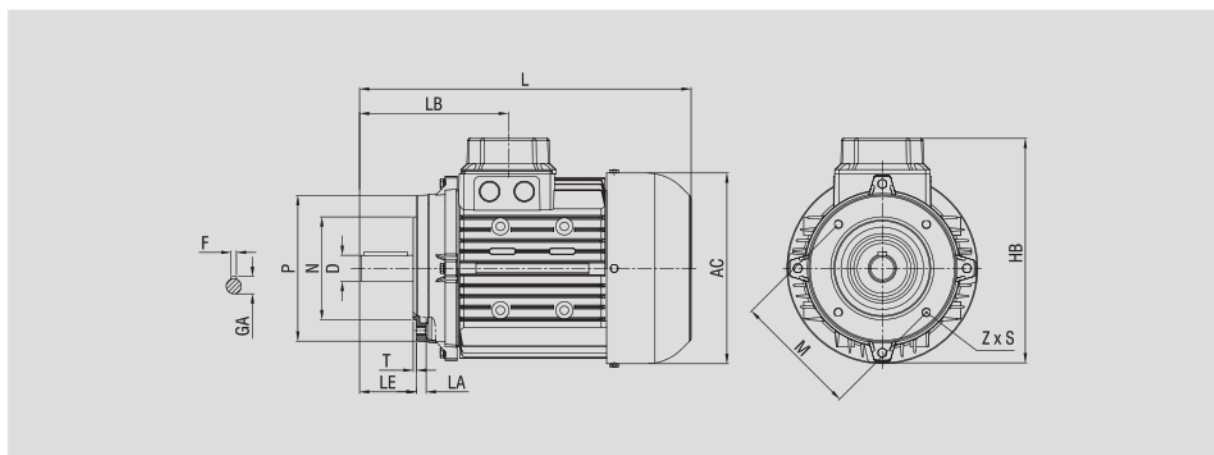


IEC Three Phase Squirrel-Cage Motors  
Flange-Mounted Motor,IMB14

Dimensions



Frame Size	Housing		No. of Poles	Dimension drawing according to IEC															
	Cast Aluminium	Cast Iron		P	N	M	LA	T	D	LE	AC	HB	L	LB	Z	S	F	GA	
63	Yes	No	2-8	90	60	75	8	2.5	11	23	124	153	208	91.5	4	M4	4	12.6	
71				106	70	85	9.5		3	14	30	141	171	244			105	M6	5
80				119	80	100	9			19	40	159	195	273		118	M8		6
90S				135	95	115		17	24	50	176	210	306	133		26.9			
90L				100	112	3.5	28						60				331		
100								160	110	130	194	233		403		152.5	30.9		
112				16.5	218	257	416	161											



## IEC Three Phase Squirrel-Cage Motors Foot and Flange-Mounted Motor, IMB35

### Dimensions



Frame Size	Housing		No. of Poles	Dimension drawing according to IEC																											
	Cast Aluminium	Cast Iron		P	N	M	LA	T	D	LE	F	GA	AC	HB	Z	S	LB	L	B	A	K	K'	HA	BB	AB						
63	Yes	No	2-8	140	95	115	10	3	11	23	4	12.6	124	160	4	M8	91.5	208	80	100	M6	12	7	101	120						
71				160	110	130	9	3.5	14	30	5	16	141	180.5			180.5	105	244	90		112	11	8	112	136					
80				200	130	165	11		19	40	6	21.5	159	213		213	M10	118	273	100	124.5	M8	15.5	12	125	150					
90S				200				24	50	8	26.9	176	220	133		306		140	18		13		123	171							
90L				Yes	Yes	2-8	250	180	215		12.5	4	28	60		30.9	194.5	257	M12	152.5	403	140	160	M10	21	12.5	175	194			
100							250			15	38		80	10			41.3	259		346	219.5	272	161			416	140	190	14	183	227
112							Yes	Yes	2-8	300	230	265	17	5		42	110	14	45.1	313	404	M16	264	615	254	254	M12	23	23	302	318
160										350	250	300	19			48			14	51.5	355		434	339	664	239-277		279	19	19	325
180				No	Yes	2-8	5	400	300	350	15	55	180	16		58.8	395	521	M16	307	723	305	318	M16	26	27	352	377			
200								450	350	400	16	60				140	18	63.8		438	546	407	832		286-311	357	27	34	357	437	
225	450	350	400					16	60	140	18	63.8			438	546	407	832		286-311	357	27	34		357	437					

