



ELECTROGEN



## IEC Three Phase Squirrel-Cage Motors Standard Motors up to Frame Size 160

### Technical Data

Aluminium housing. Basic version

IE1	Rated Output kW	Size	Type	Rated Speed rpm	Nominal Efficiency	Power Factor	Rated Current at 400v A	Rated Torque Nm	Starting Torque	Starting Current
									For Direct-on-line starting as multiple of the rated	
									Torque	Current
<b>3000 rpm, 2-poles, 50 Hz, 400V</b>										
0.18	63	34183	2800	63.0	0.82	0.50	0.61	2.8	3.7	
0.25		34253	2770	67.6	0.75	0.72	0.86	3.1	3.5	
0.37	71	35373	2800	70.0	0.80	1.00	1.3	3.0	5.0	
0.55		35553	2800	72.0	0.82	1.50	1.85	3.3	5.4	
0.75	80	37753	2830	78.3	0.80	1.70	2.5	3.1	6.0	
1.1		37113	2850	77.9	0.80	2.60	3.8	3.4	5.7	
1.5	90	39153	2860	79.0	0.85	3.25	5.0	2.4	5.5	
2.2		39223	2880	82.0	0.85	4.55	7.3	2.8	6.3	
3	100L	42035	2830	84.0	0.82	6.50	9.9	2.8	6.8	
4	112M	45045	2860	86.0	0.82	8.40	13.0	2.6	7.2	
5.5	132	48555	2880	86.5	0.87	10.70	18.0	2.0	5.9	
7.5		48755	2890	88.0	0.86	14.50	24.0	2.3	6.9	
11	160	51115	2915	89.5	0.86	21.30	36.0	2.1	6.5	
15		51155	2920	90.0	0.87	27.90	49.0	2.2	6.6	
18.5		51185	2940	91.0	0.87	33.90	60.0	2.4	7.0	
<b>1500 rpm, 4-poles, 50 Hz, 400V</b>										
0.12	63	41123	1350	55.0	0.75	0.42	0.85	1.9	2.8	
0.18		41183	1350	60.0	0.77	0.56	1.3	1.9	3.0	
0.25	71	36253	1380	68.6	0.68	0.78	1.8	1.9	3.8	
0.37		36373	1390	71.8	0.7	1.25	2.6	2.5	3.5	
0.55	80	38553	1410	74.0	0.74	1.50	3.8	2.3	4.9	
0.75		38753	1420	76.2	0.77	1.80	5.1	2.3	5.3	
1.1	90	40113	1410	78.0	0.77	2.60	7.4	2.3	4.9	
1.5		40153	1410	80.0	0.79	3.40	10.0	2.4	5.9	
2.2	100L	43225	1420	82.0	0.82	4.70	15.0	2.5	5.6	
3		43035	1420	83.0	0.82	6.40	20.0	2.7	5.6	
4	112M	46045	1425	83.6	0.83	8.40	27.0	1.9	5.7	
5.5	132	49555	1430	85.7	0.83	11.40	37.0	2.0	4.9	
7.5		49755	1440	86.0	0.83	15.70	50.0	2.3	5.4	
11	160	52115	1460	88.5	0.88	20.80	72.0	2.4	6.2	
15		52155	1460	89.9	0.89	27.20	98.0	2.5	6.2	

\* Flange-mounted (B5) and foot-mounted (B3) are available for all type of motors.



ELECTROGEN

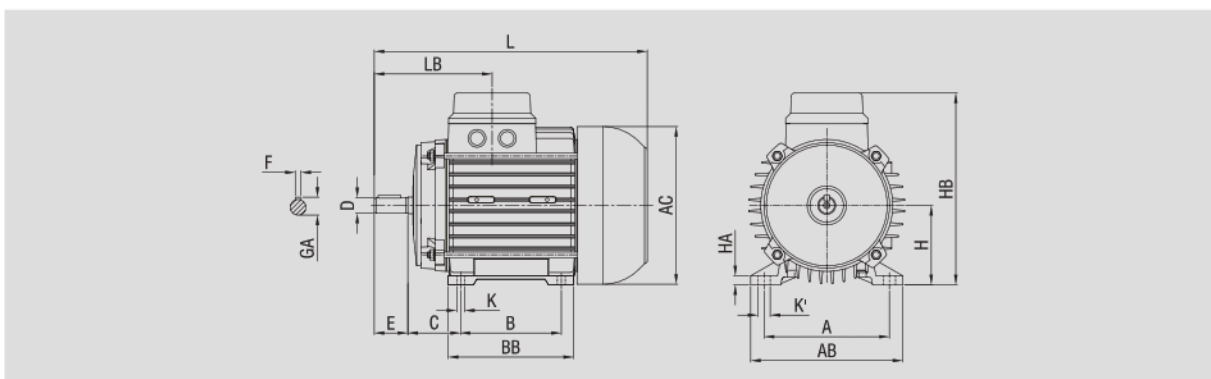


## IEC Three Phase Squirrel-Cage Motors Foot-Mounted Motor, IMB3

### Dimensions



Frame Size	Housing		No. of Poles	Dimension drawing according to IEC																			
	Cast Aluminium	Cast Iron		H	B	A	C	K	K'	D	E	F	GA	HA	BB	AB	AC	HB	LB	L			
63	Yes	No	2-8	63	80	100	40	M6	12	11	23	4	12.5	7	101	120	124	155	91.5	208			
71				71	90	112	47		11	14	30	5	16	8	112	136	141	171.5	105	244			
80				100	M8	80	124.5	50	15.5	19	40	6	21.5	12	125	150	159	193	118	273			
90S						18			24	50	8	26.9	13	123	171	176	210	133	306				
90L				125	140	56	30.9	14	183	226.5		219.5	259	161	416								
100				100	140	160	63	M10	21	28	60	10	41.3	16	248	260	259	327	215	532			
112				112	140	190	70														38	80	14
132				Yes	Yes	2-8	132	178-210	216	89	M12	19	48	110	16	58.8	27	352	377	395	495	307	723
160							160	254	254	108													
180				No	Yes	2-8	180	239-277	279	121	M16	26	55	140	18	63.8	34	357	437	438	546	407	832
200	200	305	318				133	27	60	16													
225	225	286-311	357				149	27	60	18	63.8	34	357	437	438	546	407	832					

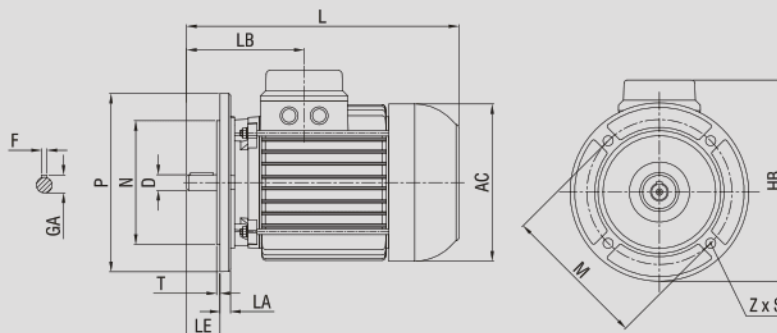


## IEC Three Phase Squirrel-Cage Motors Flange-Mounted Motor, IMB5

### Dimensions



Frame Size	Housing		No. of Poles	Dimension drawing according to IEC																	
	Cast Aluminium	Cast Iron		P	N	M	LA	T	D	LE	F	GA	AC	HB	Z	S	LB	L			
63	Yes	No	2-8	140	95	115	10	3	11	23	4	12.6	124	160	4	M8	91.5	208			
71				160	110	130	9	3.5	14	30	5	16	141	180.5			105	244			
80				200	130	165	11		19	40	6	21.5	159	213		M10	118	273			
90S				200				24	50	8	26.9	176	220	M12			133	306			
90L				250	180	215	12.5	4	28		60	30.9	194.5			257	152.5	403			
100				250			15		38	80	10		41.3	259		346	219.5	272	161	416	
112				Yes	Yes	2-8	300	230	265	17	5	42	110	12		45.1	313	404	M16	215	532
132							350	250	300	13		48		14		51.5	355	434		264	615
160							400	300	350	15		55		16		58.8	395	521		339	664
180				No	Yes	2-8	450	350	400	16	5	60	140	18		63.8	438	546	8	407	832
200	400	300	350									15	55	16	58.8	395	521	307	723		
225	450	350	400									16	60	140	18	63.8	438	546	8	407	832





ELECTROGEN

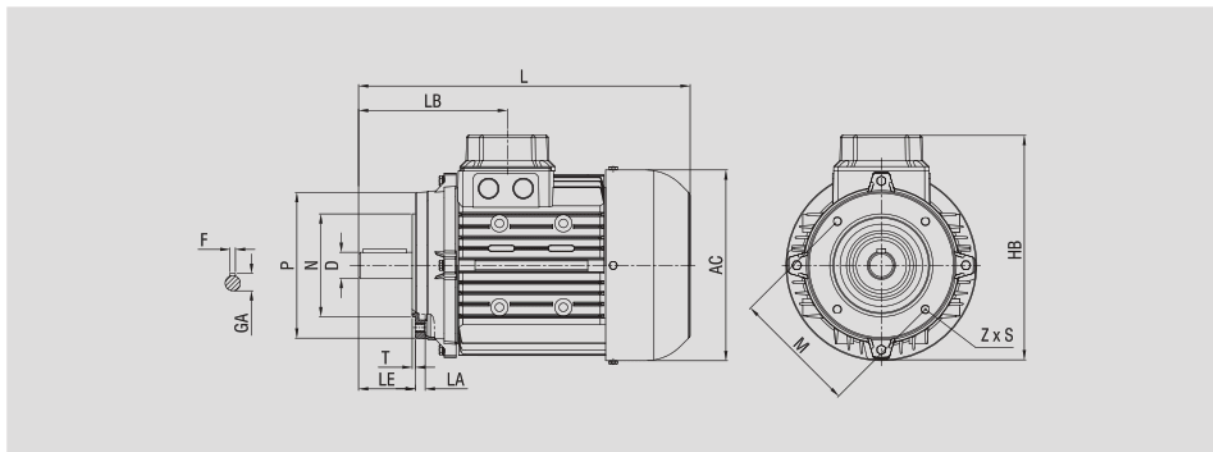


# IEC Three Phase Squirrel-Cage Motors Flange-Mounted Motor,IMB14

## Dimensions



Frame Size	Housing		No. of Poles	Dimension drawing according to IEC															
	Cast Aluminium	Cast Iron		P	N	M	LA	T	D	LE	AC	HB	L	LB	Z	S	F	GA	
63	Yes	No	2-8	90	60	75	8	2.5	11	23	124	153	208	91.5	4	M4	4	12.6	
71				106	70	85	9.5		3	14	30	141	171	244			105	M6	5
80				119	80	100	9			19	40	159	195	273		118	M8		6
90S				135	95	115		17	3.5	24	50	176	210	306		133		8	26.9
90L				160	110	130	16.5			28	60	194	233	403			152.5		
100				218	257	416	161												
112																			



## IEC Three Phase Squirrel-Cage Motors Foot and Flange-Mounted Motor, IMB35

### Dimensions



Dimension drawing according to IEC

Frame Size	Housing		No. of Poles	Dimension drawing according to IEC																											
	Cast Aluminium	Cast Iron		P	N	M	LA	T	D	LE	F	GA	AC	HB	Z	S	LB	L	B	A	K	K'	HA	BB	AB						
63	Yes	No	2-8	140	95	115	10	3	11	23	4	12.6	124	160	4	M8	91.5	208	80	100	M6	12	7	101	120						
71				160	110	130	9	3.5	14	30	5	16	141	180.5			180.5	105	244	90		112	11	8	112	136					
80				200	130	165	11		19	40	6	21.5	159	213		213	M10	118	273	100	124.5	M8	15.5	12	125	150					
90S				200				24	50	8	26.9	176	220	133		306		140	18		13		123	171							
90L				Yes	Yes	2-8	250	180	215		12.5	4	28	60		30.9	194.5	257	M12	152.5	403	140	160	M10	21	12.5	175	194			
100							250			15	38		80	10			41.3	259		346	215	532	178-210			216	16	248	260		
112							Yes	Yes	2-8	300	230	265	17	5		42	110	14	45.1	313	404	M16	264	615	254	254	M12	23	23	302	318
160										350	19	48	14			51.5			355	434	339		664	239-277	279	19		19	325	344	
180				No	Yes	2-8	5	400	300	350	15	55	180	16		58.8	395	521	M16	307	723	305	318	M16	26	27	352	377			
200								450	350	400	16	60				140	18	63.8		438	546	407	832		286-311	357	27	34	357	437	
225	450	350	400					16	60	140	18	63.8			438	546	407	832		286-311	357	27	34		357	437					

