

IEC Three Phase Squirrel-Cage Motors Standard Motors up to Frame Size 160

Technical Data

Aluminium housing. Basic version

IE1	Rated Output kW	Size	Type	Rated Speed rpm	Nominal Efficiency	Power Factor	Rated Current at 400V A	Rated Torque Nm	Starting Torque	Starting Current
									For Direct-on-line starting as multiple of the rated	
									Torque	Current
1000 rpm, 6-poles, 50 Hz, 400V										
0.09	63	41904	850	45.0	0.66	0.44	1.0	1.8	2.0	
0.18	71	36184	850	53.0	0.73	0.67	2.0	2.1	2.3	
0.25		36255	860	60.0	0.76	0.79	2.8	2.2	2.7	
0.37	80	38374	920	62.0	0.72	1.20	3.8	1.9	3.1	
0.55		38554	910	67.0	0.74	1.60	5.8	2.1	3.4	
0.75	90	40754	915	69.0	0.76	2.05	7.8	2.2	3.7	
1.1		40115	915	72.0	0.77	2.85	11.0	2.3	3.8	
1.5	100L	44155	925	74.0	0.75	3.90	15.0	2.3	4.0	
2.2	112M	47225	940	78.0	0.78	5.20	22.0	2.2	4.6	
3	132	50035	950	79.0	0.76	7.20	30.0	1.9	4.2	
4		50045	950	80.5	0.76	9.40	40.0	2.1	4.5	
5.5		50555	950	83.0	0.76	12.60	55.0	2.3	5.0	
7.5	160	53755	960	86.0	0.74	17.00	75.0	2.1	4.6	
11		53115	960	87.5	0.74	24.50	109.0	2.3	4.8	
750 rpm, 8-poles, 50 Hz, 400V										
0.09	71	36905	630	53.0	0.68	0.36	1.4	1.9	2.2	
0.12		36125	645	53.0	0.64	0.51	1.8	2.2	2.2	
0.18	80	38185	675	51.0	0.68	0.75	2.5	1.7	2.3	
0.25		38255	685	55.0	0.64	1.02	3.5	2.0	2.6	
0.37	90	40375	675	63.0	0.75	1.14	5.2	1.6	2.9	
0.55		40555	675	66.0	0.76	1.58	7.8	1.7	3.0	
0.75	100L	44755	680	66.0	0.76	2.15	11.0	1.6	3.0	
1.1		44115	680	72.0	0.76	2.90	15.0	1.8	3.3	
1.5	112M	47155	705	74.0	0.76	3.85	20.0	1.8	3.7	
2.2	132	50227	700	75.0	0.74	5.70	30.0	1.9	3.9	
3		50037	700	77.0	0.74	7.60	41.0	2.1	4.1	
4	160	53045	715	80.0	0.72	10.00	53.0	2.2	4.5	
5.5		53555	710	83.5	0.73	13.00	74.0	2.3	4.7	
7.5		53755	715	85.5	0.72	17.60	100.0	2.7	5.3	

* Flange-mounted (B5) and foot-mounted (B3) are available for all type of motors.

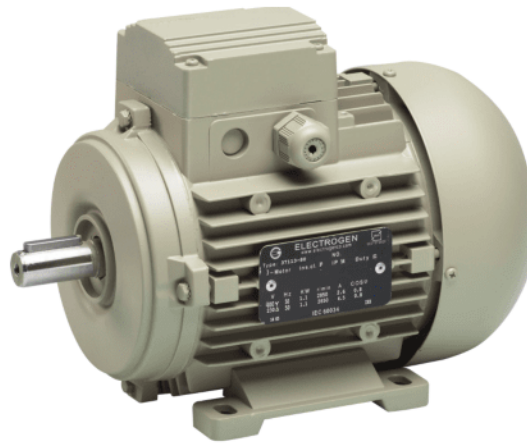


ELECTROGEN

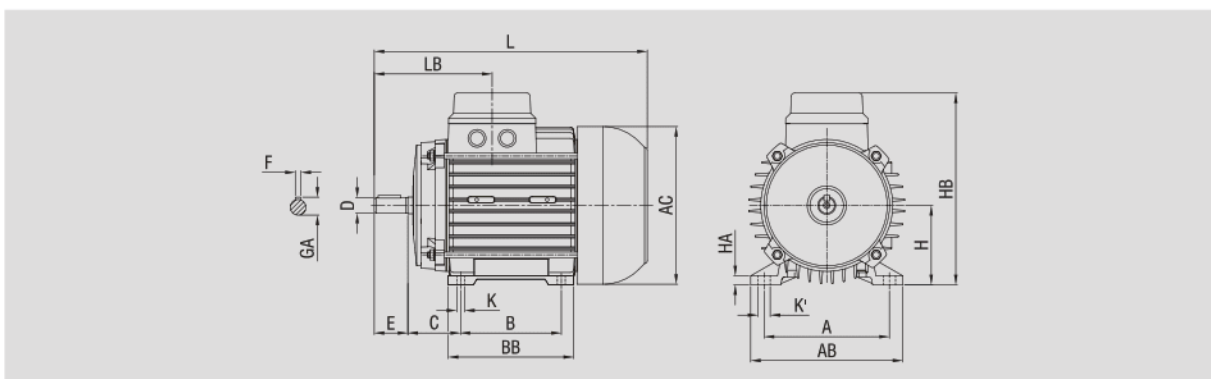


IEC Three Phase Squirrel-Cage Motors Foot-Mounted Motor,IMB3

Dimensions



Frame Size	Housing		No. of Poles	Dimension drawing according to IEC																			
	Cast Aluminium	Cast Iron		H	B	A	C	K	K'	D	E	F	GA	HA	BB	AB	AC	HB	LB	L			
63	Yes	No	2-8	63	80	100	40	M6	12	11	23	4	12.5	7	101	120	124	155	91.5	208			
71				71	90	112	47		11	14	30	5	16	8	112	136	141	171.5	105	244			
80				100	M8	80	124.5	50	15.5	19	40	6	21.5	12	125	150	159	193	118	273			
90S						18			24	50	8	26.9	13	123	171	176	210	133	306				
90L				125	140	56	30.9	14	183	226.5		219.5	259	161	416								
100				100	140	160	63	M10	21	28	60	10	41.3	16	248	260	259	327	215	532			
112				112	140	190	70														38	80	14
132				Yes	Yes	2-8	132	178-210	216	89	M12	23	42	110	16	58.8	27	352	377	395	495	307	723
160							160	254	254	108													
180				No	Yes	2-8	180	239-277	279	121	M12	26	55	140	18	63.8	34	357	437	438	546	407	832
200	200	305	318				133	27	60	16													
225	225	286-311	357				149	27	60	18	63.8	34	357	437	438	546	407	832					

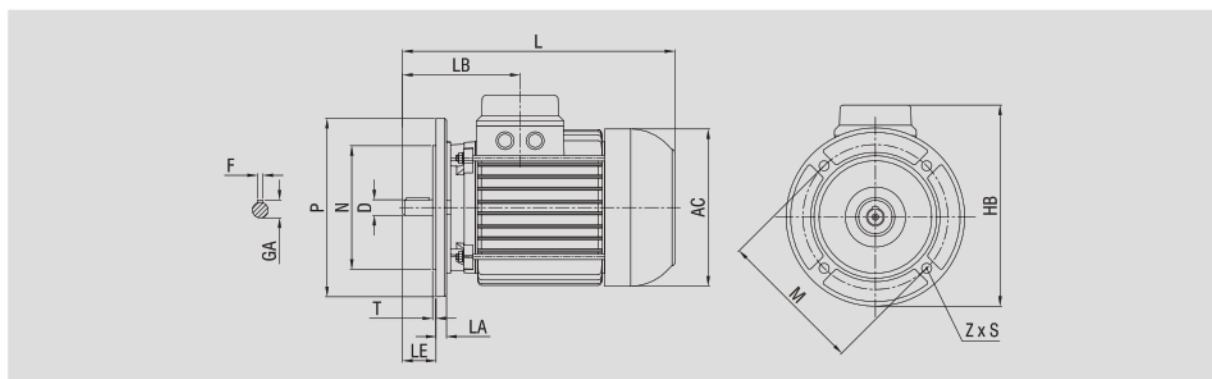


IEC Three Phase Squirrel-Cage Motors Flange-Mounted Motor, IMB5

Dimensions



Frame Size	Housing		No. of Poles	Dimension drawing according to IEC																				
	Cast Aluminium	Cast Iron		P	N	M	LA	T	D	LE	F	GA	AC	HB	Z	S	LB	L						
63	Yes	No	2-8	140	95	115	10	3	11	23	4	12.6	124	160	4	M8	91.5	208						
71				160	110	130	9	3.5	14	30	5	16	141	180.5			105	244						
80				200	130	165	11		19	40	6	21.5	159	213		M10	118	273						
90S				200				24	50	8	26.9	176	220	M12			133	306						
90L				250	180	215	12.5	4	28		60	30.9	194.5			257	152.5	403						
100				250			15		38	80	10		41.3	259		346	219.5	272	161	416				
112				Yes	Yes	5	300	230	265	17	48	110	14	51.5		355	434	M16	215	532				
132							350	250	300	13									12	45.1	313	404	264	615
160				No	Yes	5	400	300	350	15	55	60	140	16		58.8	395	521	M16	339	664			
180											400									300	350	15	16	58.8
200	450	350	400								16				18					63.8	438	546	8	407
225																								





ELECTROGEN

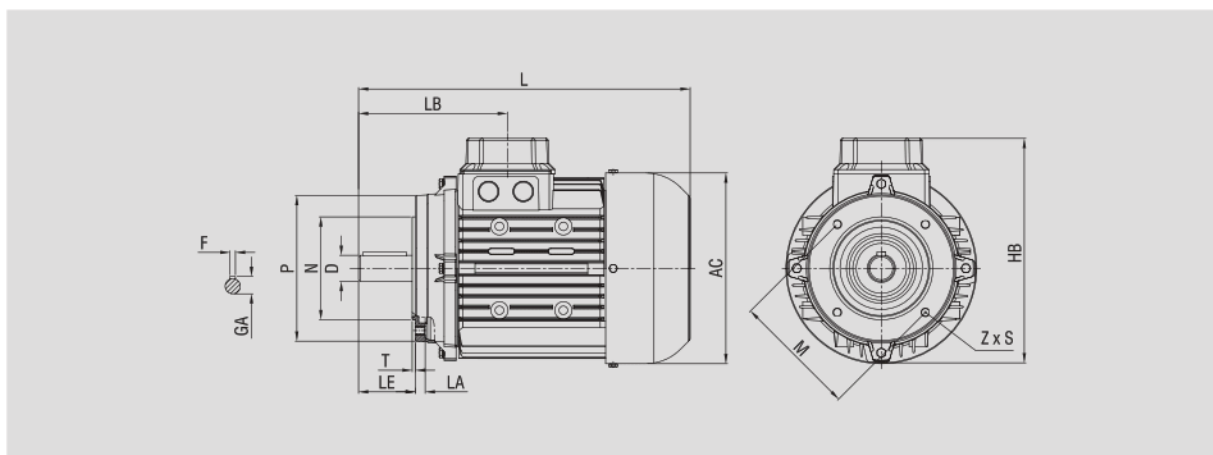


IEC Three Phase Squirrel-Cage Motors Flange-Mounted Motor,IMB14

Dimensions



Frame Size	Housing		No. of Poles	Dimension drawing according to IEC															
	Cast Aluminium	Cast Iron		P	N	M	LA	T	D	LE	AC	HB	L	LB	Z	S	F	GA	
63	Yes	No	2-8	90	60	75	8	2.5	11	23	124	153	208	91.5	4	M4	4	12.6	
71				106	70	85	9.5		3	14	30	141	171	244			105	M6	5
80				119	80	100	9			19	40	159	195	273		118	M8		6
90S				135	95	115		17	3.5	24	50	176	210	306		133		8	26.9
90L				160	110	130	16.5			28	60	194	233	403			152.5		
100				218	257	416	161	30.9											
112																			



IEC Three Phase Squirrel-Cage Motors Foot and Flange-Mounted Motor, IMB35

Dimensions



Frame Size	Housing		No. of Poles	Dimension drawing according to IEC																											
	Cast Aluminium	Cast Iron		P	N	M	LA	T	D	LE	F	GA	AC	HB	Z	S	LB	L	B	A	K	K'	HA	BB	AB						
63	Yes	No	2-8	140	95	115	10	3	11	23	4	12.6	124	160	4	M8	91.5	208	80	100	M6	12	7	101	120						
71				160	110	130	9	3.5	14	30	5	16	141	180.5			180.5	105	244	90		112	11	8	112	136					
80				200	130	165	11		19	40	6	21.5	159	213		213	M10	118	273	100	124.5	M8	15.5	12	125	150					
90S				200				24	50	8	26.9	176	220	133		306		140	18		13		123	171							
90L				Yes	Yes	2-8	250	180	215		12.5	4	28	60		30.9	194.5	257	M12	152.5	403	140	160	M10	21	12.5	175	194			
100							250			15	38		80	10			41.3	259		346	215	532	178-210			216	16	248	260		
112							Yes	Yes	2-8	300	250	300	19	5		42	110	14	45.1	313	404	M16	264	615	254	254	M12	23	23	302	318
132										350						13			48	14	51.5		355	434	339	664		239-277	279	19	19
160				No	Yes	2-8	400	300	350	15	5	55	180	16		58.8	395	521	M16	307	723	305	318	M16	26	27	352	377			
180							450					16				60	140	18		63.8	438	546	407		832	286-311	357	27	34	357	437
200	450	16	60				140					18			63.8	438	546	407		832	286-311	357	27		34	357	437				
225																															

