



ELECTROGEN



IEC Three Phase Squirrel-Cage Motors Standard Motors up to Frame Size 160

Technical Data

Aluminium housing. Basic version

IE1	Rated Output kW	Size	Type	Rated Speed rpm	Nominal Efficiency	Power Factor	Rated Current at 400v A	Rated Torque Nm	Starting Torque	Starting Current
									For Direct-on-line starting as multiple of the rated	
									Torque	Current
3000 rpm, 2-poles, 50 Hz, 400V										
0.18	63	34183	2800	63.0	0.82	0.50	0.61	2.8	3.7	
0.25		34253	2770	67.6	0.75	0.72	0.86	3.1	3.5	
0.37	71	35373	2800	70.0	0.80	1.00	1.3	3.0	5.0	
0.55		35553	2800	72.0	0.82	1.50	1.85	3.3	5.4	
0.75	80	37753	2830	78.3	0.80	1.70	2.5	3.1	6.0	
1.1		37113	2850	77.9	0.80	2.60	3.8	3.4	5.7	
1.5	90	39153	2860	79.0	0.85	3.25	5.0	2.4	5.5	
2.2		39223	2880	82.0	0.85	4.55	7.3	2.8	6.3	
3	100L	42035	2830	84.0	0.82	6.50	9.9	2.8	6.8	
4	112M	45045	2860	86.0	0.82	8.40	13.0	2.6	7.2	
5.5	132	48555	2880	86.5	0.87	10.70	18.0	2.0	5.9	
7.5		48755	2890	88.0	0.86	14.50	24.0	2.3	6.9	
11	160	51115	2915	89.5	0.86	21.30	36.0	2.1	6.5	
15		51155	2920	90.0	0.87	27.90	49.0	2.2	6.6	
18.5		51185	2940	91.0	0.87	33.90	60.0	2.4	7.0	
1500 rpm, 4-poles, 50 Hz, 400V										
0.12	63	41123	1350	55.0	0.75	0.42	0.85	1.9	2.8	
0.18		41183	1350	60.0	0.77	0.56	1.3	1.9	3.0	
0.25	71	36253	1380	68.6	0.68	0.78	1.8	1.9	3.8	
0.37		36373	1390	71.8	0.7	1.25	2.6	2.5	3.5	
0.55	80	38553	1410	74.0	0.74	1.50	3.8	2.3	4.9	
0.75		38753	1420	76.2	0.77	1.80	5.1	2.3	5.3	
1.1	90	40113	1410	78.0	0.77	2.60	7.4	2.3	4.9	
1.5		40153	1410	80.0	0.79	3.40	10.0	2.4	5.9	
2.2	100L	43225	1420	82.0	0.82	4.70	15.0	2.5	5.6	
3		43035	1420	83.0	0.82	6.40	20.0	2.7	5.6	
4	112M	46045	1425	83.6	0.83	8.40	27.0	1.9	5.7	
5.5	132	49555	1430	85.7	0.83	11.40	37.0	2.0	4.9	
7.5		49755	1440	86.0	0.83	15.70	50.0	2.3	5.4	
11	160	52115	1460	88.5	0.88	20.80	72.0	2.4	6.2	
15		52155	1460	89.9	0.89	27.20	98.0	2.5	6.2	



* Flange-mounted (B5) and foot-mounted (B3) are available for all type of motors.

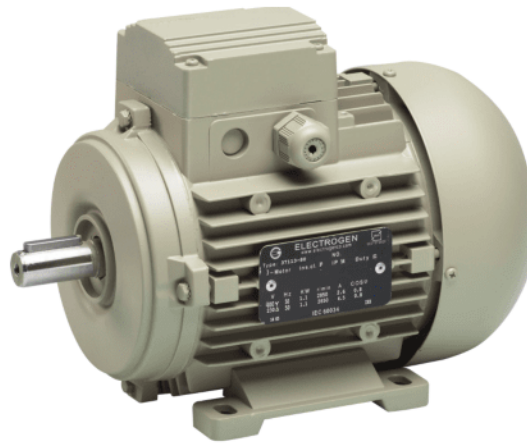


ELECTROGEN

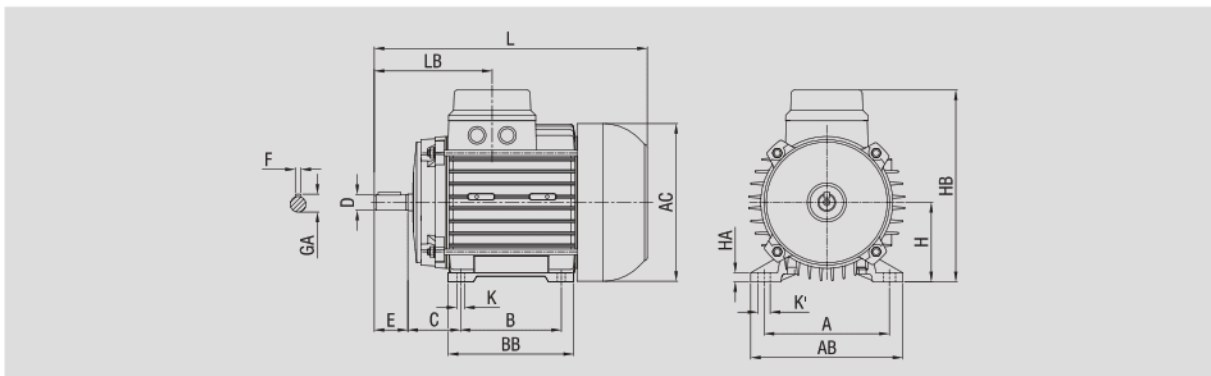


IEC Three Phase Squirrel-Cage Motors Foot-Mounted Motor,IMB3

Dimensions



Frame Size	Housing		No. of Poles	Dimension drawing according to IEC																			
	Cast Aluminium	Cast Iron		H	B	A	C	K	K'	D	E	F	GA	HA	BB	AB	AC	HB	LB	L			
63	Yes	No	2-8	63	80	100	40	M6	12	11	23	4	12.5	7	101	120	124	155	91.5	208			
71				71	90	112	47		11	14	30	5	16	8	112	136	141	171.5	105	244			
80				100	M8	80	124.5	50	15.5	19	40	6	21.5	12	125	150	159	193	118	273			
90S						18			24	50	8	26.9	13	123	171	176	210	133	306				
90L				125	140	56	30.9	14	183	226.5		219.5	259	161	416								
100				100	140	160	63	M10	21	28	60	10	41.3	16	248	260	259	327	215	532			
112				112	140	190	70														38	80	14
132				Yes	Yes	2-8	132	178-210	216	89	M12	23	42	110	16	58.8	27	352	377	395	495	307	723
160							160	254	254	108													
180				No	Yes	2-8	180	239-277	279	121	M16	26	55	140	18	63.8	34	357	437	438	546	407	832
200	200	305	318				133	27	60	16													
225	225	286-311	357				149	27	60	18	63.8	34	357	437	438	546	407	832					

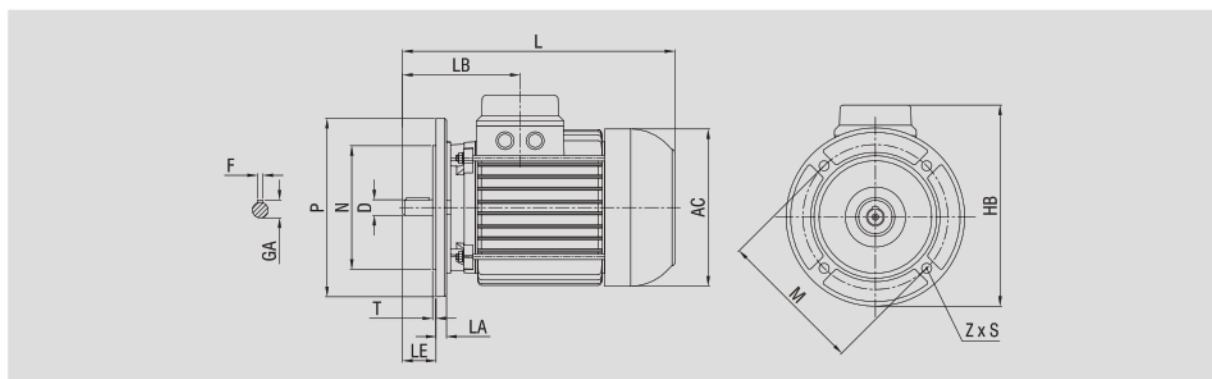


IEC Three Phase Squirrel-Cage Motors Flange-Mounted Motor, IMB5

Dimensions



Frame Size	Housing		No. of Poles	Dimension drawing according to IEC																						
	Cast Aluminium	Cast Iron		P	N	M	LA	T	D	LE	F	GA	AC	HB	Z	S	LB	L								
63	Yes	No	2-8	140	95	115	10	3	11	23	4	12.6	124	160	4	M8	91.5	208								
71				160	110	130	9	3.5	14	30	5	16	141	180.5			105	244								
80				200	130	165	11		19	40	6	21.5	159	213		M10	118	273								
90S				200				24	50	8	26.9	176	220	M12			133	306								
90L				250	180	215	12.5	4	28		60	30.9	194.5			257	152.5	403								
100				250			15		38	80	10	41.3	259	346		219.5	272	161	416							
112				Yes	Yes	5	300	230	265	17	48	110	14	51.5		355	434	M16	215	532						
132							350	250	300	13									12	45.1	313	404	264	615		
160				No	Yes	5	400	300	350	15	55	160	16	58.8		395	521	M16	339	664						
180																			400	300	350	15	55	160	16	58.8
200	450	350	400												16				60	140	18	63.8	438	546	8	407
225																										





ELECTROGEN

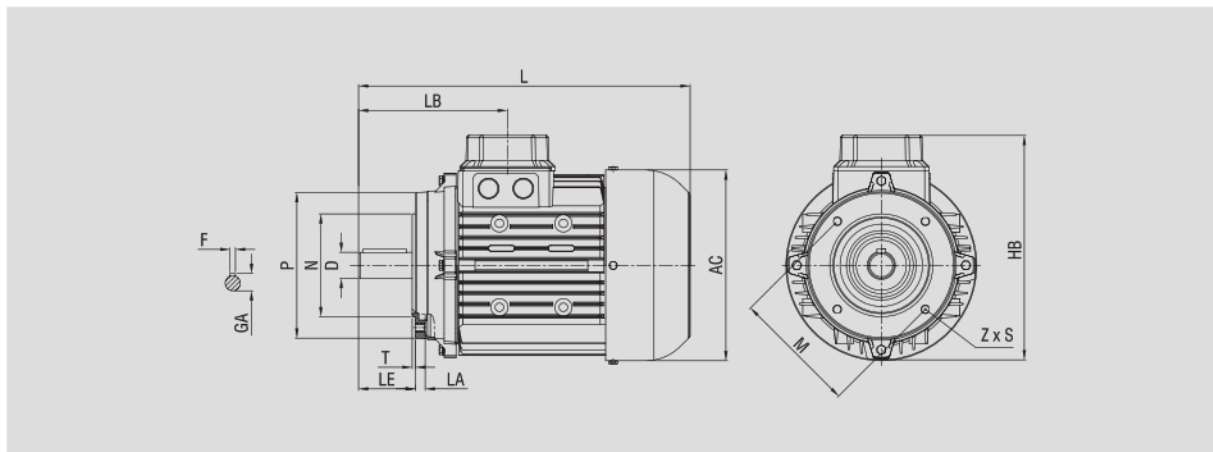


IEC Three Phase Squirrel-Cage Motors Flange-Mounted Motor,IMB14

Dimensions



Frame Size	Housing		No. of Poles	Dimension drawing according to IEC																
	Cast Aluminium	Cast Iron		P	N	M	LA	T	D	LE	AC	HB	L	LB	Z	S	F	GA		
63	Yes	No	2-8	90	60	75	8	2.5	11	23	124	153	208	91.5	4	M4	4	12.6		
71				106	70	85	9.5		3	14	30	141	171	244			105	M6	5	16
80				119	80	100	9			19	40	159	195	273			118		6	21.5
90S				135	95	115		17	3.5	24	50	176	210	306		133	M8	8	26.9	
90L				160	110	130	16.5			28	60	194	233	403					152.5	30.9
100				218	257	416	161													
112																				



IEC Three Phase Squirrel-Cage Motors Foot and Flange-Mounted Motor, IMB35

Dimensions



Frame Size	Housing		No. of Poles	Dimension drawing according to IEC																															
	Cast Aluminium	Cast Iron		P	N	M	LA	T	D	LE	F	GA	AC	HB	Z	S	LB	L	B	A	K	K'	HA	BB	AB										
63	Yes	No	2-8	140	95	115	10	3	11	23	4	12.6	124	160	4	M8	91.5	208	80	100	M6	12	7	101	120										
71				160	110	130	9	3.5	14	30	5	16	141	180.5			180.5	105	244	90		112	11	8	112	136									
80				200	130	165	11		19	40	6	21.5	159	213		8	M10	118	273	100	140	M8	15.5	12	125	150									
90S				200				26.9	176	220	133	306	125	18				13	123								171								
90L				Yes	Yes	2-8	250	180	215	12.5	4	28	60	10		30.9	194.5	257	M12	152.5	403	140	160	M10	21	14	183	227							
100							250			15		38	80			41.3	259	346		215	532	178-210	216						161	416	140	190	16	248	260
112							Yes	Yes	2-8	300	250	300	19	5		42	110	14	51.5	355	434	M16	264	615	254	254	M12	23	23	302	318				
160										350						13							48	16	58.8	395						521	339	664	239-277
180				No	Yes	2-8	400	300	350	15	5	55	140	18		63.8	438	546	8	M16	307	723	305	318	M16	26	27	352	377						
200							450					16									60	140	18	63.8						438	546	407	832	286-311	357
225																																			

