

IEC Single Phase Capacitor Run Motors Standard Motors up to Frame Size 100

Technical Data

Aluminium housing. Basic version

IE1	Rated Output kW	Size	Type	Rated Speed rpm	Nominal Efficiency %	Power Factor	Rated Current at 220V A	Rated Torque Nm	Starting Torque	Starting Current	Capacitor μ F	Capacitor Voltage V
									For Direct-on-line starting as multiple of the rated			
									Torque	Current		
3000 rpm, 2-poles, 50 Hz												
0.18	63 M	34180	2720	64.0	0.99	1.3	0.63	0.50	3.2	10	400	
0.25		34250	2750	65.0	1.00	1.8	0.86	0.60	3.5	10	450	
0.37	71 M	35370	2860	71.5	0.94	2.6	1.2	0.40	3.3	12	450	
0.55		35550	2800	70.0	1.00	3.6	1.9	0.48	3.0	16	450	
0.75	80 M	37750	2800	70.5	1.00	4.8	2.6	0.40	2.8	25	450	
1.1		37110	2850	77.0	1.00	6.5	4.3	0.35	4.0	35	400	
1.5	90 S	39150	2820	77.5	0.98	8.8	5.1	0.27	3.8	40	400	
2.2	90 L	39220	2850	79.0	0.95	13.3	7.3	0.26	4.1	50	400	
1500 rpm, 4-poles, 50 Hz												
0.12	63 M	41120	1350	54.5	1.00	1.0	0.85	0.54	2.2	8	400	
0.18		41180	1385	56.6	0.98	1.5	1.25	0.55	2.2	10	450	
0.25	71 M	36250	1390	59.0	0.97	2.0	1.7	0.71	1.9	18	450	
0.37		36370	1400	61.2	0.95	2.8	2.6	0.48	2.4	14	450	
0.55	80 M	38550	1395	68.5	0.98	3.6	3.8	0.32	3.9	30	400	
0.75		38750	1385	68.0	0.95	5.0	5.2	0.25	4.2	30	400	
1.1	90 S	40110	1425	77.0	0.94	6.9	7.4	0.32	4.6	35	450	
1.5	90 L	40150	1430	77.5	0.96	9.2	10	0.33	4.8	45	450	
2.2	100 L	43220	1445	79.5	0.95	13.2	14.5	0.31	5.2	70	400	



* Flange-mounted (B5) and foot-mounted (B3) are available for all type of motors.



ELECTROGEN

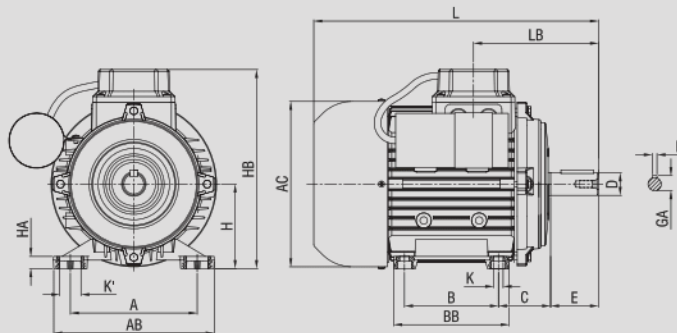


IEC Single Phase Squirrel-Cage Motors Foot-Mounted Motors, IMB3

Dimensions



Frame Size	No. of Poles	Dimension drawing according to IEC																
		H	B	A	C	K	K'	D	E	F	GA	HA	BB	AB	AC	HB	LB	L
63	2-8	63	80	100	40	M6	12	11	23	4	12.5	7	101	120	124	155	91.5	208
71		71	90	112	47		11	14	30	5	16	8	112	136	141	171.5	105	244
80		80	100	125	50	M8	15.5	19	40	6	21.5	12	125	150	159	193	118	273
90		90		140	56		18	24	50	8	26.9	13	123	171	176	210	133	306
100		100	140	160	63	M10	21	28	60		30.9	12.5	174.5	194	194.5	235	152.5	403
112		112	140	190	70					14		183	226.5	219.5	259	161	416	

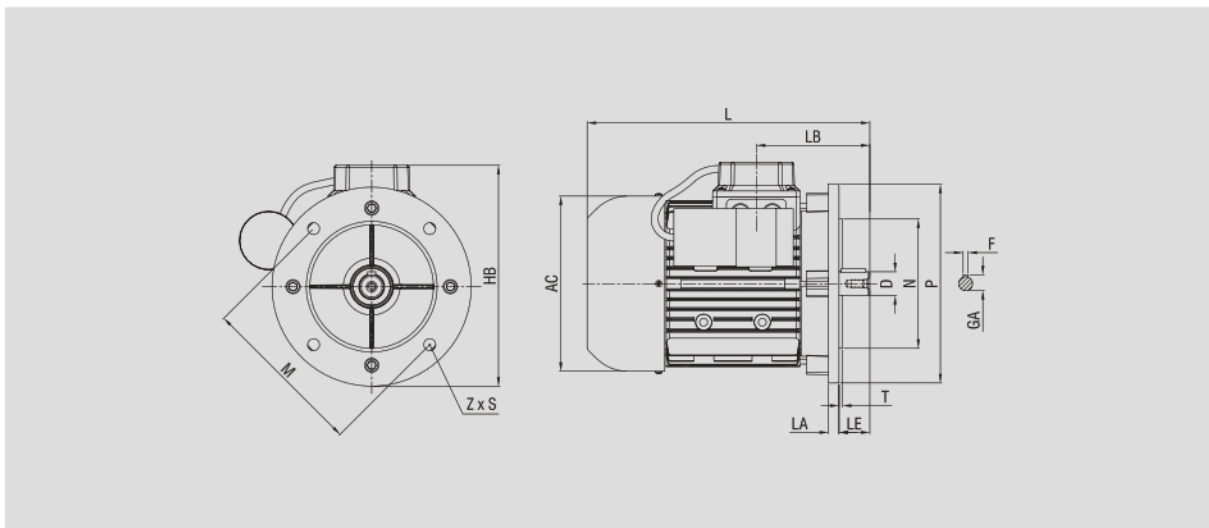


IEC Single Phase Squirrel-Cage Motors Flange-Mounted Motors, IMB5

Dimensions



Frame Size	No. of Poles	Dimension drawing according to IEC														
		P	N	M	LA	T	D	LE	F	GA	AC	HB	Z	S	LB	L
63	2-8	140	95	115	10	3	11	23	4	12.6	124	160	4	M8	91.5	208
71		160	110	130	9		14	30	5	16	141	180.5			105	244
80		200	130	165	11	3.5	19	40	6	21.5	159	213		M10	118	273
90		200					24	50	26.9	176	220	133			306	
100		250	180	215	12.5	4	28	60	8	30.9	194.5	257		M12	152.5	403
112		250			15						219.5	272			161	416





ELECTROGEN

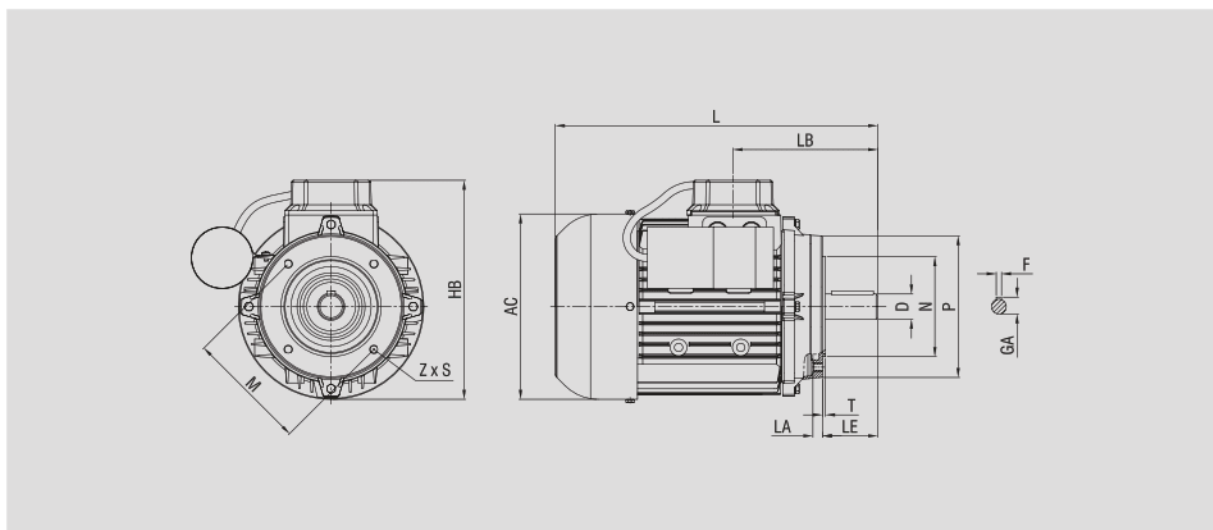


IEC Single Phase Squirrel-Cage Motors Flange-Mounted Motors, IMB14

Dimensions



Frame Size	No. of Poles	Dimension drawing according to IEC															
		P	N	M	LA	T	D	LE	AC	HB	L	LB	Z	S	F	GA	
63	2-8	90	60	75	8	2.5	11	23	124	153	208	91.5	4	M4	4	12.6	
71		106	70	85	9.5	3	14	30	141	171	244	105			M6	5	16
80		119	80	100	9		19	40	159	195	273	118				6	21.5
90		135	95	115	17	3.5	24	50	176	210	306	133		M8	8	26.9	
100		160	110	130			16.5	28	60	194	233	403				152.5	30.9
112										218	257	416		161			



IEC Single Phase Squirrel-Cage Motors Foot and Flange-Mounted Motors, IMB35

Dimensions



Frame Size	No. of Poles	Dimension drawing according to IEC																							
		P	N	M	LA	T	D	LE	F	GA	AC	HB	Z	S	LB	L	A	B	K	K'	HA	BB	AB		
63	2-8	140	95	115	10	3	11	23	4	12.6	124	160	4	M8	91.5	208	100	80	M6	12	7	101	120		
71		160	110	130	9		14	30	5	16	141	180.5			105	244	112	90		11	8	112	136		
80		200	130	165	11	3.5	19	40	6	21.5	159	213		26.9	176	220	118	273	125	100	M8	15.5	12	125	150
90		200					24	50	18	13	123	171													
100		250	180	215	12.5	4	28	60	8	30.9	194.5	257		152.5	403	160	140	M10	21	12.5	174.5	194			
112		250			15															14	183	226.5			

