



ELECTROGEN



IEC Three Phase Squirrel-Cage Motors Standard Motors up to Frame Size 160

Technical Data

Aluminium housing. Basic version

IE1	Rated Output kW	Size	Type	Rated Speed rpm	Nominal Efficiency	Power Factor	Rated Current at 400v A	Rated Torque Nm	Starting Torque	Starting Current
									For Direct-on-line starting as multiple of the rated	
									Torque	Current
3000 rpm, 2-poles, 50 Hz, 400V										
0.18	63	34183	2800	63.0	0.82	0.50	0.61	2.8	3.7	
0.25		34253	2770	67.6	0.75	0.72	0.86	3.1	3.5	
0.37	71	35373	2800	70.0	0.80	1.00	1.3	3.0	5.0	
0.55		35553	2800	72.0	0.82	1.50	1.85	3.3	5.4	
0.75	80	37753	2830	78.3	0.80	1.70	2.5	3.1	6.0	
1.1		37113	2850	77.9	0.80	2.60	3.8	3.4	5.7	
1.5	90	39153	2860	79.0	0.85	3.25	5.0	2.4	5.5	
2.2		39223	2880	82.0	0.85	4.55	7.3	2.8	6.3	
3	100L	42035	2830	84.0	0.82	6.50	9.9	2.8	6.8	
4	112M	45045	2860	86.0	0.82	8.40	13.0	2.6	7.2	
5.5	132	48555	2880	86.5	0.87	10.70	18.0	2.0	5.9	
7.5		48755	2890	88.0	0.86	14.50	24.0	2.3	6.9	
11	160	51115	2915	89.5	0.86	21.30	36.0	2.1	6.5	
15		51155	2920	90.0	0.87	27.90	49.0	2.2	6.6	
18.5		51185	2940	91.0	0.87	33.90	60.0	2.4	7.0	
1500 rpm, 4-poles, 50 Hz, 400V										
0.12	63	41123	1350	55.0	0.75	0.42	0.85	1.9	2.8	
0.18		41183	1350	60.0	0.77	0.56	1.3	1.9	3.0	
0.25	71	36253	1380	68.6	0.68	0.78	1.8	1.9	3.8	
0.37		36373	1390	71.8	0.7	1.25	2.6	2.5	3.5	
0.55	80	38553	1410	74.0	0.74	1.50	3.8	2.3	4.9	
0.75		38753	1420	76.2	0.77	1.80	5.1	2.3	5.3	
1.1	90	40113	1410	78.0	0.77	2.60	7.4	2.3	4.9	
1.5		40153	1410	80.0	0.79	3.40	10.0	2.4	5.9	
2.2	100L	43225	1420	82.0	0.82	4.70	15.0	2.5	5.6	
3		43035	1420	83.0	0.82	6.40	20.0	2.7	5.6	
4	112M	46045	1425	83.6	0.83	8.40	27.0	1.9	5.7	
5.5	132	49555	1430	85.7	0.83	11.40	37.0	2.0	4.9	
7.5		49755	1440	86.0	0.83	15.70	50.0	2.3	5.4	
11	160	52115	1460	88.5	0.88	20.80	72.0	2.4	6.2	
15		52155	1460	89.9	0.89	27.20	98.0	2.5	6.2	



* Flange-mounted (B5) and foot-mounted (B3) are available for all type of motors.



ELECTROGEN

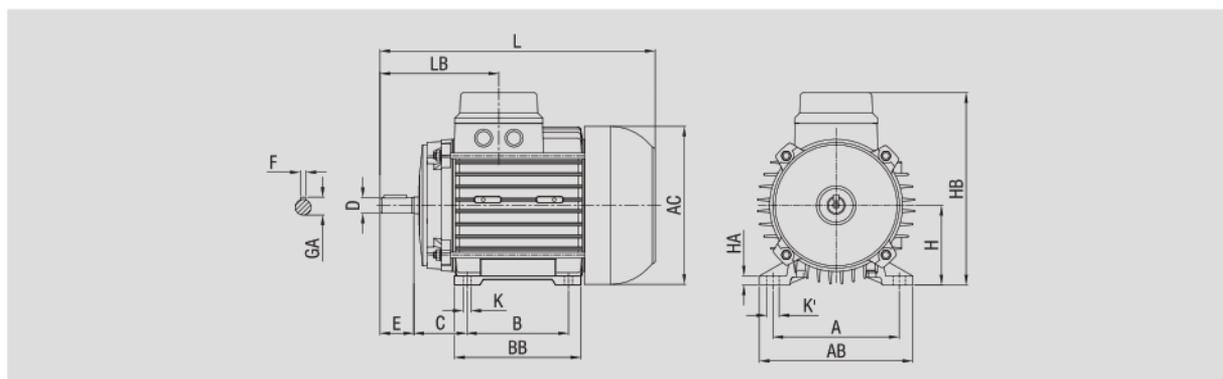


IEC Three Phase Squirrel-Cage Motors
Foot-Mounted Motor, IMB3

Dimensions



Frame Size	Housing		No. of Poles	Dimension drawing according to IEC																			
	Cast Aluminium	Cast Iron		H	B	A	C	K	K'	D	E	F	GA	HA	BB	AB	AC	HB	LB	L			
63	Yes	No	2-8	63	80	100	40	M6	12	11	23	4	12.5	7	101	120	124	155	91.5	208			
71				71	90	112	47		11	14	30	5	16	8	112	136	141	171.5	105	244			
80				100	M8	80	124.5	50	15.5	19	40	6	21.5	12	125	150	159	193	118	273			
90S						90			140	56	18	24	50	8	26.9	13	123	171	176	210	133	306	
90L				125	148	331																	
100				100	M10	100	140	160	63	21	28	60	10	30.9	12.5	174.5	194	194.5	235	152.5	403		
112						140	190	70	14	183	226.5	219.5			259	161	416						
132						178-210	216	89	38	80	41.3	16			248	260	259	327	215	532			
160				Yes	Yes	160	160	254	254	108	M12	23	42	110	12	45.1	23	302	318	156.5	393	264	615
180				239-277	279		121	19	48	14		51.5	19		325	344	354	437	339	664			
200	No	Yes	200	200	305	318	133	M16	26	55	140	16	58.8	27	352	377	395	495	307	723			
225				286-311	357	149	27		60	18		63.8	34	357	437	438	546	407	832				

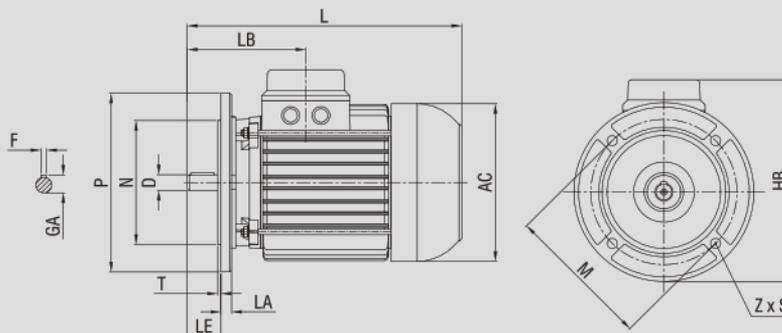


IEC Three Phase Squirrel-Cage Motors Flange-Mounted Motor, IMB5

Dimensions



Frame Size	Housing		No. of Poles	Dimension drawing according to IEC																				
	Cast Aluminium	Cast Iron		P	N	M	LA	T	D	LE	F	GA	AC	HB	Z	S	LB	L						
63	Yes	No	2-8	140	95	115	10	3	11	23	4	12.6	124	160	4	M8	91.5	208						
71				160	110	130	9	3.5	14	30	5	16	141	180.5			105	244						
80				200	130	165	11		19	40	6	21.5	159	213		118	273							
90S				200				24	50	8	26.9	176	220	M10		133	306							
90L				250	180	215	12.5	4	28		60	30.9	194.5			257	M12	152.5	403					
100				250			15		38	80	10	41.3	259	346		219.5		272	161	416				
112				Yes	Yes	5	300	230	265	17	48	110	14	51.5		355	434	M16	215	532				
132							350	250	300	13									12	45.1	313	404	264	615
160				No	Yes	5	400	300	350	15	55	16	58.8	395		521	8	M16	339	664				
180																			450	350	400	16	16	58.8
200	400	300	350												15				60	140	18	63.8	438	546
225																								





ELECTROGEN

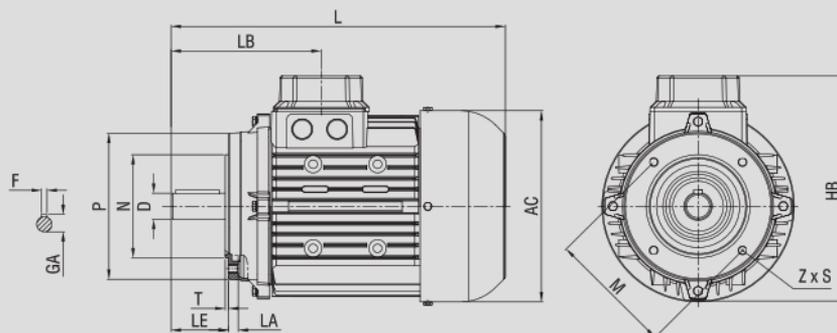


IEC Three Phase Squirrel-Cage Motors
Flange-Mounted Motor,IMB14

Dimensions



Frame Size	Housing		No. of Poles	Dimension drawing according to IEC															
	Cast Aluminium	Cast Iron		P	N	M	LA	T	D	LE	AC	HB	L	LB	Z	S	F	GA	
63	Yes	No	2-8	90	60	75	8	2.5	11	23	124	153	208	91.5	4	M4	4	12.6	
71				106	70	85	9.5		3	14	30	141	171	244			105	M6	5
80				119	80	100	9			19	40	159	195	273		118	M8		6
90S				135	95	115		17	24	50	176	210	306	133		26.9			
90L				331															
100				160	110	130	3.5	28	60	194	233	403	152.5	30.9					
112				218	257	416						161							



IEC Three Phase Squirrel-Cage Motors Foot and Flange-Mounted Motor, IMB35

Dimensions



Frame Size	Housing		No. of Poles	Dimension drawing according to IEC																																	
	Cast Aluminium	Cast Iron		P	N	M	LA	T	D	LE	F	GA	AC	HB	Z	S	LB	L	B	A	K	K'	HA	BB	AB												
63	Yes	No	2-8	140	95	115	10	3	11	23	4	12.6	124	160	4	M8	91.5	208	80	100	M6	12	7	101	120												
71				160	110	130	9	3.5	14	30	5	16	141	180.5			112	105	244	90		112	11	8	112	136											
80				200	130	165	11		19	40	6	21.5	159	213		124.5	15.5	12	125	150																	
90S				200				24	50	8	26.9	176	220	133		306	100	140	18	13	123	171															
90L				Yes	Yes	250	180	215	12.5		4	28	60	30.9		194.5	257	152.5	403	140	160	M10	21	12.5	175	194											
100						250			15	38		80	10	41.3		259	346	215	532	178-210	216			16	248	260											
112				Yes	Yes	2-8	300	230	265	17	5	42	110	12		45.1	313	404	M12	23	23	302	318	M12	19	19	325	344									
160							350	250	300	19		48		14		51.5	355	434											264	615	254	254	19	19	325	344	
180				No	Yes	2-8	5	400	300	350	15	55	160	16		58.8	395	521	M16	26	27	352	377	M16	26	27	352	377									
200												400		300		350	15	60											140	18	63.8	438	546	407	832	286-311	357
225	450	350	400									16		60	140	18	63.8	438											546	407	832	286-311	357	27	34	357	437

