



ELECTROGEN



## IEC Three Phase Squirrel-Cage Motors Standard Motors up to Frame Size 160

### Technical Data

Aluminium housing. Basic version

IE1	Rated Output kW	Size	Type	Rated Speed rpm	Nominal Efficiency	Power Factor	Rated Current at 400v A	Rated Torque Nm	Starting Torque	Starting Current
									For Direct-on-line starting as multiple of the rated	
									Torque	Current
<b>3000 rpm, 2-poles, 50 Hz, 400V</b>										
0.18	63	34183	2800	63.0	0.82	0.50	0.61	2.8	3.7	
0.25		34253	2770	67.6	0.75	0.72	0.86	3.1	3.5	
0.37	71	35373	2800	70.0	0.80	1.00	1.3	3.0	5.0	
0.55		35553	2800	72.0	0.82	1.50	1.85	3.3	5.4	
0.75	80	37753	2830	78.3	0.80	1.70	2.5	3.1	6.0	
1.1		37113	2850	77.9	0.80	2.60	3.8	3.4	5.7	
1.5	90	39153	2860	79.0	0.85	3.25	5.0	2.4	5.5	
2.2		39223	2880	82.0	0.85	4.55	7.3	2.8	6.3	
3	100L	42035	2830	84.0	0.82	6.50	9.9	2.8	6.8	
4	112M	45045	2860	86.0	0.82	8.40	13.0	2.6	7.2	
5.5	132	48555	2880	86.5	0.87	10.70	18.0	2.0	5.9	
7.5		48755	2890	88.0	0.86	14.50	24.0	2.3	6.9	
11	160	51115	2915	89.5	0.86	21.30	36.0	2.1	6.5	
15		51155	2920	90.0	0.87	27.90	49.0	2.2	6.6	
18.5		51185	2940	91.0	0.87	33.90	60.0	2.4	7.0	
<b>1500 rpm, 4-poles, 50 Hz, 400V</b>										
0.12	63	41123	1350	55.0	0.75	0.42	0.85	1.9	2.8	
0.18		41183	1350	60.0	0.77	0.56	1.3	1.9	3.0	
0.25	71	36253	1380	68.6	0.68	0.78	1.8	1.9	3.8	
0.37		36373	1390	71.8	0.7	1.25	2.6	2.5	3.5	
0.55	80	38553	1410	74.0	0.74	1.50	3.8	2.3	4.9	
0.75		38753	1420	76.2	0.77	1.80	5.1	2.3	5.3	
1.1	90	40113	1410	78.0	0.77	2.60	7.4	2.3	4.9	
1.5		40153	1410	80.0	0.79	3.40	10.0	2.4	5.9	
2.2	100L	43225	1420	82.0	0.82	4.70	15.0	2.5	5.6	
3		43035	1420	83.0	0.82	6.40	20.0	2.7	5.6	
4	112M	46045	1425	83.6	0.83	8.40	27.0	1.9	5.7	
5.5	132	49555	1430	85.7	0.83	11.40	37.0	2.0	4.9	
7.5		49755	1440	86.0	0.83	15.70	50.0	2.3	5.4	
11	160	52115	1460	88.5	0.88	20.80	72.0	2.4	6.2	
15		52155	1460	89.9	0.89	27.20	98.0	2.5	6.2	



\* Flange-mounted (B5) and foot-mounted (B3) are available for all type of motors.



ELECTROGEN

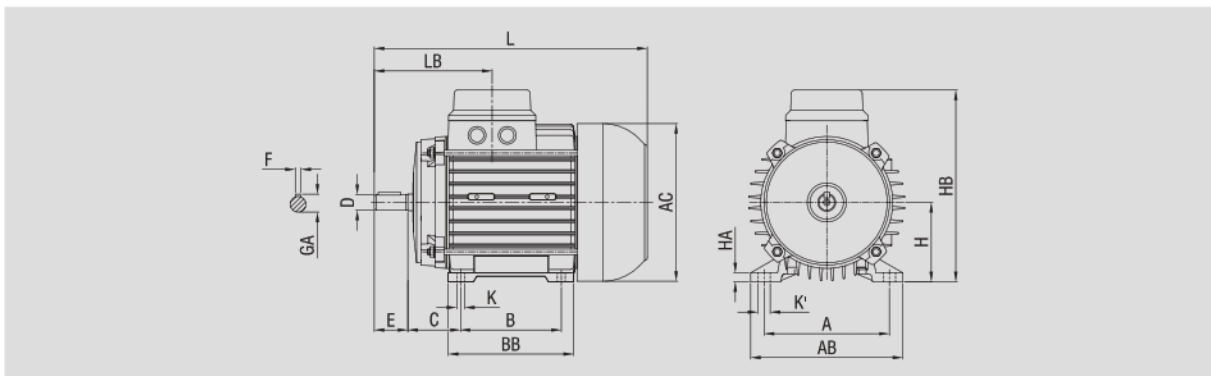


IEC Three Phase Squirrel-Cage Motors  
Foot-Mounted Motor, IMB3

Dimensions



Frame Size	Housing		No. of Poles	Dimension drawing according to IEC																			
	Cast Aluminium	Cast Iron		H	B	A	C	K	K'	D	E	F	GA	HA	BB	AB	AC	HB	LB	L			
63	Yes	No	2-8	63	80	100	40	M6	12	11	23	4	12.5	7	101	120	124	155	91.5	208			
71				71	90	112	47		11	14	30	5	16	8	112	136	141	171.5	105	244			
80				100	124.5	50	M8	15.5	19	40	6	21.5	12	125	150	159	193	118	273				
90S								18	24	50	8	26.9	13	123	171	176	210	133	306				
90L				125	140	56	18	24	50	30.9		14	183	226.5	219.5	259	161	416					
100				100	140	160	63	M10	21	28	60	10	41.3	16	248	260	259	327	215	532			
112				112	140	190	70		38	80	12		45.1	23	302	318	156.5	393	264	615			
132				Yes	Yes	2-8	132	178-210	216	89	M12	23	42	110	14	51.5	19	325	344	354	437	339	664
160							160	254	254	108		19	48		16	58.8	27	352	377	395	495	307	723
180				No	Yes	2-8	180	239-277	279	121	M16	26	55	140	18	63.8	34	357	437	438	546	407	832
200	200	305	318				133	27	60	18		63.8	34		357	437	438	546	407	832			
225	225	286-311	357				149	27	60	18	63.8	34	357	437	438	546	407	832					

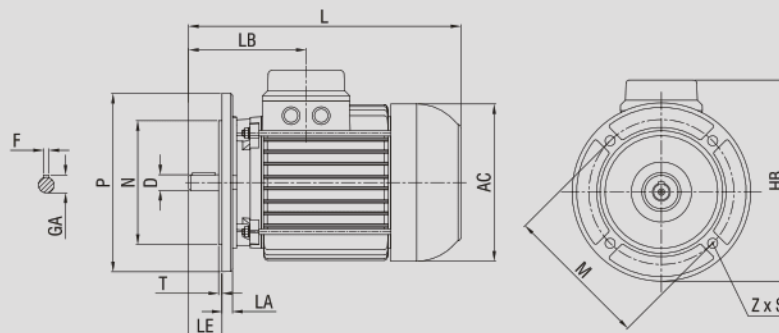


## IEC Three Phase Squirrel-Cage Motors Flange-Mounted Motor, IMB5

### Dimensions



Frame Size	Housing		No. of Poles	Dimension drawing according to IEC														
	Cast Aluminium	Cast Iron		P	N	M	LA	T	D	LE	F	GA	AC	HB	Z	S	LB	L
63	Yes	No	2-8	140	95	115	10	3	11	23	4	12.6	124	160	4	M8	91.5	208
71				160	110	130	9	3.5	14	30	5	16	141	180.5			105	244
80				200	130	165	11		19	40	6	21.5	159	213			118	273
90S				200				24	50	26.9	176	220	133	306				
90L				250	180	215	12.5	4	28	60	8	30.9	194.5	257		M10	152.5	403
100				250	300	15	38		80	10		41.3	259	346			219.5	272
112				300	230	265	17	5	48	110	14	51.5	355	434		M12	215	532
132				350	250	300	13										42	12
160				400	300	350	15		48	14	51.5	355	434	339			664	
180				400	350	400	16		55	16	58.8	395	521	307			723	
200	450	350	400	16	60	18	63.8	438	546	8	407	832						
225																		





ELECTROGEN

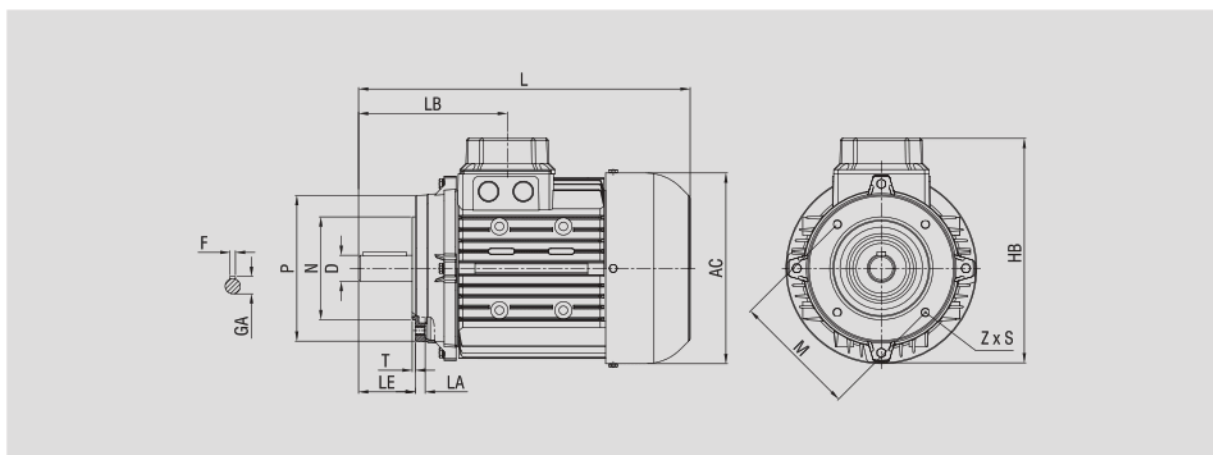


# IEC Three Phase Squirrel-Cage Motors Flange-Mounted Motor,IMB14

## Dimensions



Frame Size	Housing		No. of Poles	Dimension drawing according to IEC															
	Cast Aluminium	Cast Iron		P	N	M	LA	T	D	LE	AC	HB	L	LB	Z	S	F	GA	
63	Yes	No	2-8	90	60	75	8	2.5	11	23	124	153	208	91.5	4	M4	4	12.6	
71				106	70	85	9.5		3	14	30	141	171	244			105	M6	5
80				119	80	100	9			19	40	159	195	273		118	M8		6
90S				135	95	115		17	24	50	176	210	306	133		26.9			
90L				160	110	130	3.5						28				60	194	233
100								8	30.9										
112				160	110	130	16.5			28	60	218	257	416	161				



## IEC Three Phase Squirrel-Cage Motors Foot and Flange-Mounted Motor, IMB35

### Dimensions



Dimension drawing according to IEC

Frame Size	Housing		No. of Poles	Dimension drawing according to IEC																																					
	Cast Aluminium	Cast Iron		P	N	M	LA	T	D	LE	F	GA	AC	HB	Z	S	LB	L	B	A	K	K'	HA	BB	AB																
63	Yes	No	2-8	140	95	115	10	3	11	23	4	12.6	124	160	4	M8	91.5	208	80	100	M6	12	7	101	120																
71				160	110	130	9	3.5	14	30	5	16	141	180.5			112	105	244	90		112	11	8	112	136															
80				200	130	165	11		19	40	6	21.5	159	213			124.5	15.5	12	125		150																			
90S				200				24	50	8	26.9	176	220	140			M8	18	13	123		171																			
90L				250	180	215	12.5	4	28		60	30.9	194.5	257				152.5	403	140		160	12.5	175	194																
100				250						15			38	80			10	41.3	259	346		219.5	272	161	416	140	190	M10	21	14	183	227									
112				Yes	Yes	2-8	300	230	265	17	5	42	110	12			45.1	313	404	8		M12	215	532	178-210	216	M10	23	23	302	318										
132							350	250	300	19													48	14	51.5	355						434	264	615	254	254	M12	19	19	325	344
160							400	300	350	15													55	16	58.8	395						521	339	664	239-277	279	M12	26	27	352	377
180							450	350	400	16													60	18	63.8	438						546	407	832	286-311	357	M16	27	34	357	437
200	No	Yes	2-8	450	350	400	16	5	60	140	18	63.8	438	546	8	M16	407	832	286-311	357	M16	27	34	357	437																
225																																									

