



ELECTROGEN



IEC Three Phase Squirrel-Cage Motors Standard Motors up to Frame Size 160

Technical Data

Aluminium housing. Basic version

IE1	Rated Output kW	Size	Type	Rated Speed rpm	Nominal Efficiency	Power Factor	Rated Current at 400v A	Rated Torque Nm	Starting Torque	Starting Current
									For Direct-on-line starting as multiple of the rated	
									Torque	Current
3000 rpm, 2-poles, 50 Hz, 400V										
0.18	63	34183	2800	63.0	0.82	0.50	0.61	2.8	3.7	
0.25		34253	2770	67.6	0.75	0.72	0.86	3.1	3.5	
0.37	71	35373	2800	70.0	0.80	1.00	1.3	3.0	5.0	
0.55		35553	2800	72.0	0.82	1.50	1.85	3.3	5.4	
0.75	80	37753	2830	78.3	0.80	1.70	2.5	3.1	6.0	
1.1		37113	2850	77.9	0.80	2.60	3.8	3.4	5.7	
1.5	90	39153	2860	79.0	0.85	3.25	5.0	2.4	5.5	
2.2		39223	2880	82.0	0.85	4.55	7.3	2.8	6.3	
3	100L	42035	2830	84.0	0.82	6.50	9.9	2.8	6.8	
4	112M	45045	2860	86.0	0.82	8.40	13.0	2.6	7.2	
5.5	132	48555	2880	86.5	0.87	10.70	18.0	2.0	5.9	
7.5		48755	2890	88.0	0.86	14.50	24.0	2.3	6.9	
11	160	51115	2915	89.5	0.86	21.30	36.0	2.1	6.5	
15		51155	2920	90.0	0.87	27.90	49.0	2.2	6.6	
18.5		51185	2940	91.0	0.87	33.90	60.0	2.4	7.0	
1500 rpm, 4-poles, 50 Hz, 400V										
0.12	63	41123	1350	55.0	0.75	0.42	0.85	1.9	2.8	
0.18		41183	1350	60.0	0.77	0.56	1.3	1.9	3.0	
0.25	71	36253	1380	68.6	0.68	0.78	1.8	1.9	3.8	
0.37		36373	1390	71.8	0.7	1.25	2.6	2.5	3.5	
0.55	80	38553	1410	74.0	0.74	1.50	3.8	2.3	4.9	
0.75		38753	1420	76.2	0.77	1.80	5.1	2.3	5.3	
1.1	90	40113	1410	78.0	0.77	2.60	7.4	2.3	4.9	
1.5		40153	1410	80.0	0.79	3.40	10.0	2.4	5.9	
2.2	100L	43225	1420	82.0	0.82	4.70	15.0	2.5	5.6	
3		43035	1420	83.0	0.82	6.40	20.0	2.7	5.6	
4	112M	46045	1425	83.6	0.83	8.40	27.0	1.9	5.7	
5.5	132	49555	1430	85.7	0.83	11.40	37.0	2.0	4.9	
7.5		49755	1440	86.0	0.83	15.70	50.0	2.3	5.4	
11	160	52115	1460	88.5	0.88	20.80	72.0	2.4	6.2	
15		52155	1460	89.9	0.89	27.20	98.0	2.5	6.2	



* Flange-mounted (B5) and foot-mounted (B3) are available for all type of motors.

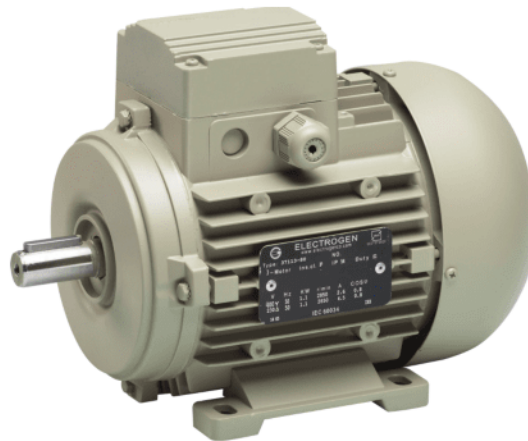


ELECTROGEN

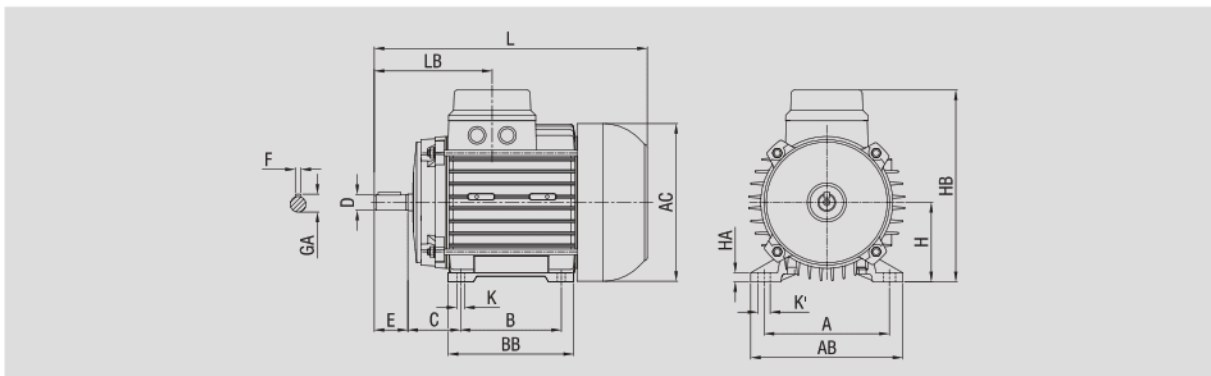


IEC Three Phase Squirrel-Cage Motors
Foot-Mounted Motor,IMB3

Dimensions



Frame Size	Housing		No. of Poles	Dimension drawing according to IEC																		
	Cast Aluminium	Cast Iron		H	B	A	C	K	K'	D	E	F	GA	HA	BB	AB	AC	HB	LB	L		
63	Yes	No	2-8	63	80	100	40	M6	12	11	23	4	12.5	7	101	120	124	155	91.5	208		
71				71	90	112	47		11	14	30	5	16	8	112	136	141	171.5	105	244		
80				100	124.5	50	M8	15.5	19	40	6	21.5	12	125	150	159	193	118	273			
90S								18	24	50	26.9	13	123	171	176	210	133	306				
90L				125	140	56	M10	21	28	60	8	30.9	14	183	174.5	194	194.5	235	152.5	403		
100															12.5	174.5	194	194.5	235	152.5	403	
112															14	183	226.5	219.5	259	161	416	
132				Yes	Yes	2-8	132	178-210	216	89	M12	38	80	10	41.3	16	248	260	259	327	215	532
160							160	254	254	108		23	42	12	45.1	23	302	318	156.5	393	264	615
180				No	Yes	2-8	180	239-277	279	121	M16	19	48	110	14	51.5	19	325	344	354	437	339
200	200	305	318				133	26	55	16		58.8	27	352	377	395	495	307	723			
225	225	286-311	357				149	27	60	18		63.8	34	357	437	438	546	407	832			

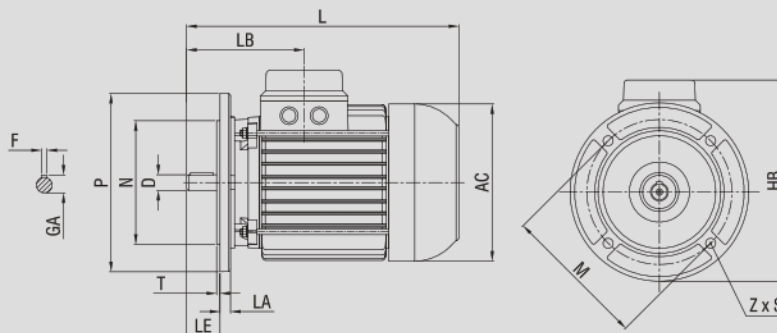


IEC Three Phase Squirrel-Cage Motors Flange-Mounted Motor, IMB5

Dimensions



Frame Size	Housing		No. of Poles	Dimension drawing according to IEC														
	Cast Aluminium	Cast Iron		P	N	M	LA	T	D	LE	F	GA	AC	HB	Z	S	LB	L
63	Yes	No	2-8	140	95	115	10	3	11	23	4	12.6	124	160	4	M8	91.5	208
71				160	110	130	9	3.5	14	30	5	16	141	180.5			105	244
80				200	130	165	11		19	40	6	21.5	159	213			118	273
90S				200				24	50	26.9	176	220	133	306				
90L				250	180	215	12.5	4	28	60	8	30.9	194.5	257		M10	152.5	403
100				250	38	80	10		41.3	259		346	215	532				
112				350	250	300	19	5	42	110	12	45.1	313	404		M16	264	615
132				350	48	14	51.5		355		434	339	664					
160				400	300	350	15		55	16	58.8	395	521	307			723	
180				450	350	400	16		60	140	18	63.8	438	546			8	407





ELECTROGEN

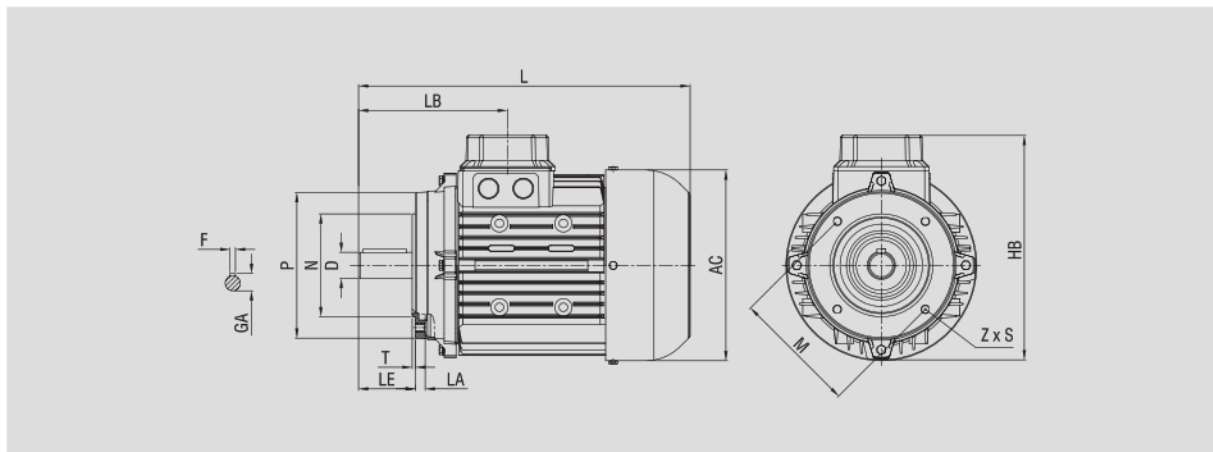


IEC Three Phase Squirrel-Cage Motors
Flange-Mounted Motor,IMB14

Dimensions



Frame Size	Housing		No. of Poles	Dimension drawing according to IEC																
	Cast Aluminium	Cast Iron		P	N	M	LA	T	D	LE	AC	HB	L	LB	Z	S	F	GA		
63	Yes	No	2-8	90	60	75	8	2.5	11	23	124	153	208	91.5	4	M4	4	12.6		
71				106	70	85	9.5		3	14	30	141	171	244			105	M6	5	16
80				119	80	100	9			19	40	159	195	273			118		M8	6
90S				135	95	115		17	3.5	24	50	176	210	306		133	8	26.9		
90L				160	110	130	16.5			28	60	194	233	403					152.5	
100				218	257	416	161	218	257	416	161									
112																				



IEC Three Phase Squirrel-Cage Motors Foot and Flange-Mounted Motor, IMB35

Dimensions



Frame Size	Housing		No. of Poles	Dimension drawing according to IEC																									
	Cast Aluminium	Cast Iron		P	N	M	LA	T	D	LE	F	GA	AC	HB	Z	S	LB	L	B	A	K	K'	HA	BB	AB				
63	Yes	No	2-8	140	95	115	10	3	11	23	4	12.6	124	160	4	M8	91.5	208	80	100	M6	12	7	101	120				
71				160	110	130	9	3.5	14	30	5	16	141	180.5			112	105	244	90		112	11	8	112	136			
80				200	130	165	11		19	40	6	21.5	159	213			124.5	15.5	12	125		150							
90S				200				24	50	8	26.9	176	220	140			18	13	123	171									
90L				250	180	215	12.5	4	28		60	30.9	194.5	257		152.5	403	140	160	12.5	175	194							
100				250						15			38	80		10	41.3	259	346	219.5	272	161	416	140	190	21	14	183	227
112				Yes	Yes	2-8	300	230	265	17	5	42	110	12		45.1	313	404	8	M12	215	532	178-210	216	M10	23	23	302	318
132							264	615	254	254											19	19	325	344					
160							339	664	239-277	279											M12	26	27	352		377			
180							307	723	305	318																	M16	27	34
200	400	300	350	15	55	16	58.8	395	521	407	832	286-311	357																
225	No	Yes		450	350	400	16	60	140	18	63.8	438	546	8															

