



ELECTROGEN



IEC Three Phase Squirrel-Cage Motors Standard Motors up to Frame Size 160

Technical Data

Aluminium housing. Basic version

| IE1 | Rated Output kW | Size | Type | Rated Speed rpm | Nominal Efficiency | Power Factor | Rated Current at 400v A | Rated Torque Nm | Starting Torque | Starting Current |
|--------------------------------|--------------------|-------|------|--------------------|--------------------|--------------|-------------------------------|--------------------|---|------------------|
| | | | | | | | | | For Direct-on-line starting as multiple of the rated | |
| | | | | | | | | | Torque | Current |
| 3000 rpm, 2-poles, 50 Hz, 400V | | | | | | | | | | |
| 0.18 | 63 | 34183 | 2800 | 63.0 | 0.82 | 0.50 | 0.61 | 2.8 | 3.7 | |
| 0.25 | | 34253 | 2770 | 67.6 | 0.75 | 0.72 | 0.86 | 3.1 | 3.5 | |
| 0.37 | 71 | 35373 | 2800 | 70.0 | 0.80 | 1.00 | 1.3 | 3.0 | 5.0 | |
| 0.55 | | 35553 | 2800 | 72.0 | 0.82 | 1.50 | 1.85 | 3.3 | 5.4 | |
| 0.75 | 80 | 37753 | 2830 | 78.3 | 0.80 | 1.70 | 2.5 | 3.1 | 6.0 | |
| 1.1 | | 37113 | 2850 | 77.9 | 0.80 | 2.60 | 3.8 | 3.4 | 5.7 | |
| 1.5 | 90 | 39153 | 2860 | 79.0 | 0.85 | 3.25 | 5.0 | 2.4 | 5.5 | |
| 2.2 | | 39223 | 2880 | 82.0 | 0.85 | 4.55 | 7.3 | 2.8 | 6.3 | |
| 3 | 100L | 42035 | 2830 | 84.0 | 0.82 | 6.50 | 9.9 | 2.8 | 6.8 | |
| 4 | 112M | 45045 | 2860 | 86.0 | 0.82 | 8.40 | 13.0 | 2.6 | 7.2 | |
| 5.5 | 132 | 48555 | 2880 | 86.5 | 0.87 | 10.70 | 18.0 | 2.0 | 5.9 | |
| 7.5 | | 48755 | 2890 | 88.0 | 0.86 | 14.50 | 24.0 | 2.3 | 6.9 | |
| 11 | 160 | 51115 | 2915 | 89.5 | 0.86 | 21.30 | 36.0 | 2.1 | 6.5 | |
| 15 | | 51155 | 2920 | 90.0 | 0.87 | 27.90 | 49.0 | 2.2 | 6.6 | |
| 18.5 | | 51185 | 2940 | 91.0 | 0.87 | 33.90 | 60.0 | 2.4 | 7.0 | |
| 1500 rpm, 4-poles, 50 Hz, 400V | | | | | | | | | | |
| 0.12 | 63 | 41123 | 1350 | 55.0 | 0.75 | 0.42 | 0.85 | 1.9 | 2.8 | |
| 0.18 | | 41183 | 1350 | 60.0 | 0.77 | 0.56 | 1.3 | 1.9 | 3.0 | |
| 0.25 | 71 | 36253 | 1380 | 68.6 | 0.68 | 0.78 | 1.8 | 1.9 | 3.8 | |
| 0.37 | | 36373 | 1390 | 71.8 | 0.7 | 1.25 | 2.6 | 2.5 | 3.5 | |
| 0.55 | 80 | 38553 | 1410 | 74.0 | 0.74 | 1.50 | 3.8 | 2.3 | 4.9 | |
| 0.75 | | 38753 | 1420 | 76.2 | 0.77 | 1.80 | 5.1 | 2.3 | 5.3 | |
| 1.1 | 90 | 40113 | 1410 | 78.0 | 0.77 | 2.60 | 7.4 | 2.3 | 4.9 | |
| 1.5 | | 40153 | 1410 | 80.0 | 0.79 | 3.40 | 10.0 | 2.4 | 5.9 | |
| 2.2 | 100L | 43225 | 1420 | 82.0 | 0.82 | 4.70 | 15.0 | 2.5 | 5.6 | |
| 3 | | 43035 | 1420 | 83.0 | 0.82 | 6.40 | 20.0 | 2.7 | 5.6 | |
| 4 | 112M | 46045 | 1425 | 83.6 | 0.83 | 8.40 | 27.0 | 1.9 | 5.7 | |
| 5.5 | 132 | 49555 | 1430 | 85.7 | 0.83 | 11.40 | 37.0 | 2.0 | 4.9 | |
| 7.5 | | 49755 | 1440 | 86.0 | 0.83 | 15.70 | 50.0 | 2.3 | 5.4 | |
| 11 | 160 | 52115 | 1460 | 88.5 | 0.88 | 20.80 | 72.0 | 2.4 | 6.2 | |
| 15 | | 52155 | 1460 | 89.9 | 0.89 | 27.20 | 98.0 | 2.5 | 6.2 | |



* Flange-mounted (B5) and foot-mounted (B3) are available for all type of motors.



ELECTROGEN

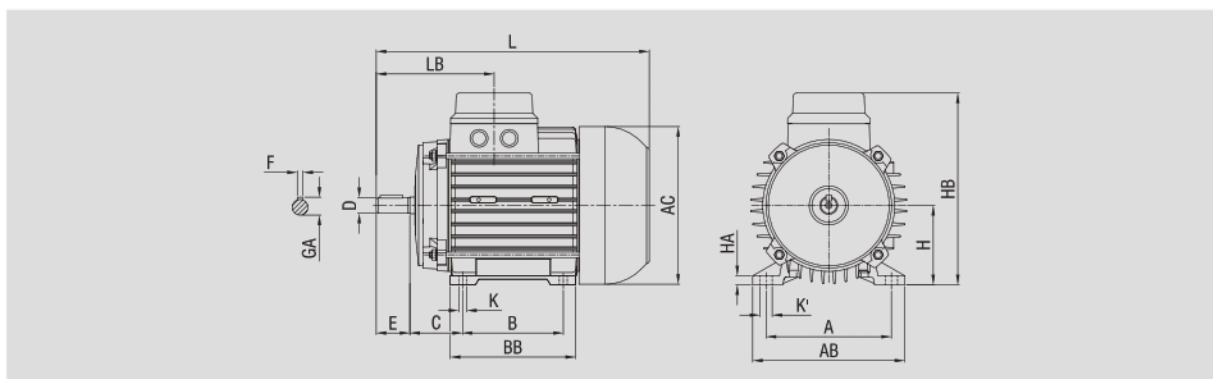


IEC Three Phase Squirrel-Cage Motors
Foot-Mounted Motor, IMB3

Dimensions



| Frame Size | Housing | | No. of Poles | Dimension drawing according to IEC | | | | | | | | | | | | | | | | | | |
|------------|----------------|-----------|--------------|------------------------------------|-----|-----|-------|---------|------|-----|-----|------|------|-------|-------|-------|-----|-------|-------|-----|-----|-----|
| | Cast Aluminium | Cast Iron | | H | B | A | C | K | K' | D | E | F | GA | HA | BB | AB | AC | HB | LB | L | | |
| 63 | Yes | No | 2-8 | 63 | 80 | 100 | 40 | M6 | 12 | 11 | 23 | 4 | 12.5 | 7 | 101 | 120 | 124 | 155 | 91.5 | 208 | | |
| 71 | | | | 71 | 90 | 112 | 47 | | 11 | 14 | 30 | 5 | 16 | 8 | 112 | 136 | 141 | 171.5 | 105 | 244 | | |
| 80 | | | | 100 | M8 | 80 | 124.5 | 50 | 15.5 | 19 | 40 | 6 | 21.5 | 12 | 125 | 150 | 159 | 193 | 118 | 273 | | |
| 90S | | | | | | 90 | | | 140 | 56 | 18 | 24 | 50 | 8 | 26.9 | 13 | 123 | 171 | 176 | 210 | 133 | 306 |
| 90L | | | | 125 | 148 | 331 | | | | | | | | | | | | | | | | |
| 100 | | | | 100 | 140 | 160 | 63 | M10 | 21 | 28 | 60 | 30.9 | 12.5 | 174.5 | 194 | 194.5 | 235 | 152.5 | 403 | | | |
| 112 | | | | 112 | 140 | 190 | 70 | | | | | | 14 | 183 | 226.5 | 219.5 | 259 | 161 | 416 | | | |
| 132 | | | | Yes | Yes | 2-8 | 132 | 178-210 | 216 | 89 | M12 | 38 | 80 | 10 | 41.3 | 16 | 248 | 260 | 259 | 327 | 215 | 532 |
| 160 | | | | | | | 160 | 254 | 254 | 108 | | 23 | 42 | 12 | 45.1 | 23 | 302 | 318 | 156.5 | 393 | 264 | 615 |
| 180 | | | | No | Yes | 2-8 | 180 | 239-277 | 279 | 121 | M12 | 19 | 48 | 110 | 14 | 51.5 | 19 | 325 | 344 | 354 | 437 | 339 |
| 200 | 200 | 305 | 318 | | | | 133 | 26 | 55 | 16 | | 58.8 | 27 | 352 | 377 | 395 | 495 | 307 | 723 | | | |
| 225 | 225 | 286-311 | 357 | | | | 149 | M16 | 27 | 60 | 140 | 18 | 63.8 | 34 | 357 | 437 | 438 | 546 | 407 | 832 | | |

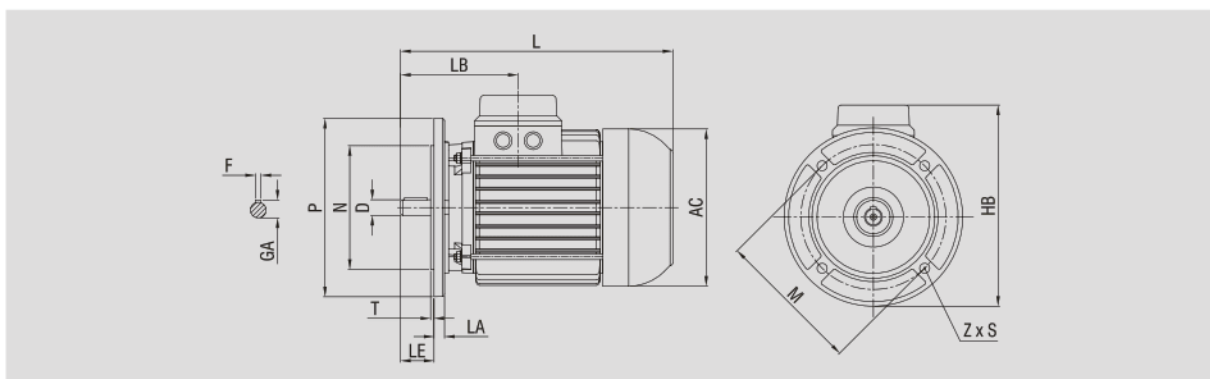


IEC Three Phase Squirrel-Cage Motors Flange-Mounted Motor, IMB5

Dimensions



| Frame Size | Housing | | No. of Poles | Dimension drawing according to IEC | | | | | | | | | | | | | | |
|------------|----------------|-----------|--------------|------------------------------------|-----|-----|------|-----|-----|------|------|------|-------|-------|---|-----|-------|-----|
| | Cast Aluminium | Cast Iron | | P | N | M | LA | T | D | LE | F | GA | AC | HB | Z | S | LB | L |
| 63 | Yes | No | 2-8 | 140 | 95 | 115 | 10 | 3 | 11 | 23 | 4 | 12.6 | 124 | 160 | 4 | M8 | 91.5 | 208 |
| 71 | | | | 160 | 110 | 130 | 9 | 3.5 | 14 | 30 | 5 | 16 | 141 | 180.5 | | | 105 | 244 |
| 80 | | | | 200 | 130 | 165 | 11 | | 19 | 40 | 6 | 21.5 | 159 | 213 | | 118 | 273 | |
| 90S | | | | 200 | | | | 24 | 50 | 8 | 26.9 | 176 | 220 | M10 | | 133 | 306 | |
| 90L | | | | 250 | 180 | 215 | 12.5 | 4 | 28 | | 60 | 30.9 | 194.5 | | | 257 | 152.5 | 403 |
| 100 | | | | 250 | | | 15 | | 38 | 80 | 10 | 41.3 | 259 | 346 | | M12 | 161 | 416 |
| 112 | | | | 300 | 230 | 265 | 17 | 42 | 110 | 12 | 45.1 | 313 | 404 | 215 | | | 532 | |
| 132 | | | | 350 | 250 | 300 | 19 | 48 | | 14 | 51.5 | 355 | 434 | M16 | | 264 | 615 | |
| 160 | | | | 400 | 300 | 350 | 13 | 55 | 16 | 58.8 | 395 | 521 | 339 | | | 664 | | |
| 180 | | | | 450 | 350 | 400 | 15 | 60 | 18 | 63.8 | 438 | 546 | 307 | 723 | | | | |
| 200 | | Yes | | 16 | | | | | | 407 | 832 | | | | | | | |
| 225 | | | | | | | | | | | | | | | | | | |





ELECTROGEN

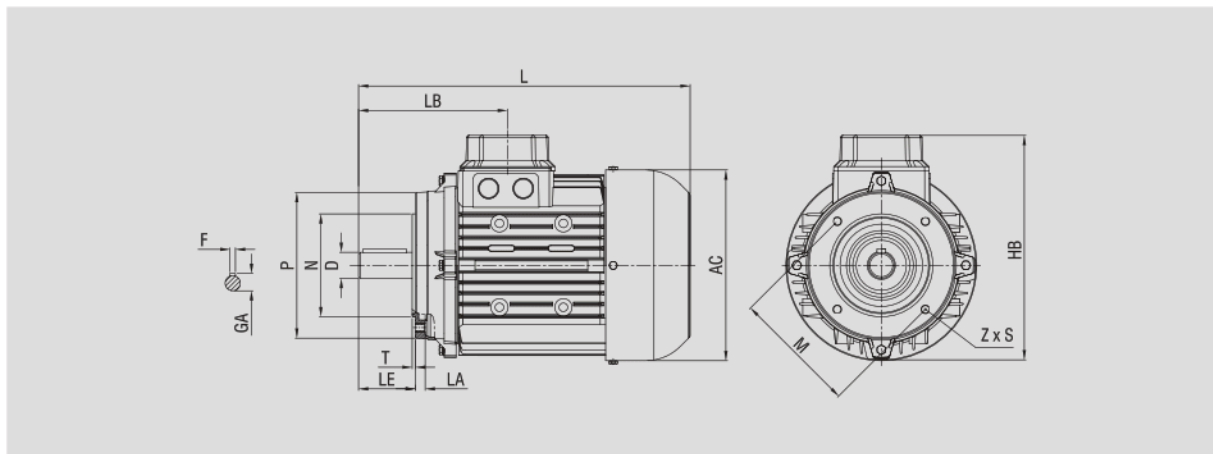


IEC Three Phase Squirrel-Cage Motors
Flange-Mounted Motor,IMB14

Dimensions



| Frame Size | Housing | | No. of Poles | Dimension drawing according to IEC | | | | | | | | | | | | | | | |
|------------|----------------|-----------|--------------|------------------------------------|-----|-----|------|-----|----|-----|-----|-----|-----|------|---|------|-----|------|-----|
| | Cast Aluminium | Cast Iron | | P | N | M | LA | T | D | LE | AC | HB | L | LB | Z | S | F | GA | |
| 63 | Yes | No | 2-8 | 90 | 60 | 75 | 8 | 2.5 | 11 | 23 | 124 | 153 | 208 | 91.5 | 4 | M4 | 4 | 12.6 | |
| 71 | | | | 106 | 70 | 85 | 9.5 | | 3 | 14 | 30 | 141 | 171 | 244 | | | 105 | M6 | 5 |
| 80 | | | | 119 | 80 | 100 | 9 | | | 19 | 40 | 159 | 195 | 273 | | 118 | M8 | | 6 |
| 90S | | | | 135 | 95 | 115 | | 17 | 24 | 50 | 176 | 210 | 306 | 133 | | 26.9 | | | |
| 90L | | | | 100 | 110 | 130 | 3.5 | | | | | | 28 | | | | 60 | 194 | 233 |
| 112 | | | | 160 | 110 | 130 | 16.5 | 28 | 60 | 218 | 257 | 416 | 161 | 30.9 | | | | | |



IEC Three Phase Squirrel-Cage Motors Foot and Flange-Mounted Motor, IMB35

Dimensions



| Frame Size | Housing | | No. of Poles | Dimension drawing according to IEC | | | | | | | | | | | | | | | | | | | | | | | | |
|------------|----------------|-----------|--------------|------------------------------------|-----|-----|------|-----|-----|----|------|------|-------|-------|---|-------|------|-----|---------|-----|-----|---------|-----|-----|-----|-----|-----|-----|
| | Cast Aluminium | Cast Iron | | P | N | M | LA | T | D | LE | F | GA | AC | HB | Z | S | LB | L | B | A | K | K' | HA | BB | AB | | | |
| 63 | Yes | No | 2-8 | 140 | 95 | 115 | 10 | 3 | 11 | 23 | 4 | 12.6 | 124 | 160 | 4 | M8 | 91.5 | 208 | 80 | 100 | M6 | 12 | 7 | 101 | 120 | | | |
| 71 | | | | 160 | 110 | 130 | 9 | 3.5 | 14 | 30 | 5 | 16 | 141 | 180.5 | | | 112 | 105 | 244 | 90 | | 112 | 11 | 8 | 112 | 136 | | |
| 80 | | | | 200 | 130 | 165 | 11 | | 19 | 40 | 6 | 21.5 | 159 | 213 | | 124.5 | M10 | 118 | 273 | 100 | 140 | 15.5 | 12 | 125 | 150 | | | |
| 90S | | | | 200 | | | | 24 | 50 | 8 | 26.9 | 176 | 220 | 18 | | 13 | | 123 | 171 | | | | | | | | | |
| 90L | | | | 250 | 180 | 215 | 12.5 | 4 | 28 | | 60 | 30.9 | 194.5 | 257 | | 152.5 | 403 | 140 | 160 | M12 | 161 | 416 | 140 | 190 | 21 | 14 | 183 | 227 |
| 100 | | | | 250 | | | | | 38 | 80 | 10 | | 41.3 | 259 | | 346 | 215 | 532 | 178-210 | | 216 | 16 | 248 | 260 | | | | |
| 112 | | | | Yes | Yes | 2-8 | 350 | 250 | 300 | 19 | 5 | 42 | 110 | 12 | | 45.1 | 313 | 404 | M16 | 264 | 615 | 254 | 254 | M12 | 23 | 23 | 302 | 318 |
| 160 | | | | | | | 350 | 250 | 300 | 13 | | 48 | | 14 | | 51.5 | 355 | 434 | | 339 | 664 | 239-277 | 279 | | 19 | 19 | 325 | 344 |
| 180 | | | | No | Yes | 2-8 | 400 | 300 | 350 | 15 | 5 | 55 | 140 | 16 | | 58.8 | 395 | 521 | 8 | 307 | 723 | 305 | 318 | M16 | 26 | 27 | 352 | 377 |
| 200 | | | | | | | 450 | 350 | 400 | 16 | | 60 | | 18 | | 63.8 | 438 | 546 | | 407 | 832 | 286-311 | 357 | | 27 | 34 | 357 | 437 |
| 225 | | | | | | | | | | | | | | | | | | | | | | | | | | | | |

