



ELECTROGEN



IEC Three Phase Squirrel-Cage Motors Standard Motors up to Frame Size 160

Technical Data

Aluminium housing. Basic version

IE1	Rated Output kW	Size	Type	Rated Speed rpm	Nominal Efficiency	Power Factor	Rated Current at 400v A	Rated Torque Nm	Starting Torque	Starting Current
									For Direct-on-line starting as multiple of the rated	
									Torque	Current
3000 rpm, 2-poles, 50 Hz, 400V										
0.18	63	34183	2800	63.0	0.82	0.50	0.61	2.8	3.7	
0.25		34253	2770	67.6	0.75	0.72	0.86	3.1	3.5	
0.37	71	35373	2800	70.0	0.80	1.00	1.3	3.0	5.0	
0.55		35553	2800	72.0	0.82	1.50	1.85	3.3	5.4	
0.75	80	37753	2830	78.3	0.80	1.70	2.5	3.1	6.0	
1.1		37113	2850	77.9	0.80	2.60	3.8	3.4	5.7	
1.5	90	39153	2860	79.0	0.85	3.25	5.0	2.4	5.5	
2.2		39223	2880	82.0	0.85	4.55	7.3	2.8	6.3	
3	100L	42035	2830	84.0	0.82	6.50	9.9	2.8	6.8	
4	112M	45045	2860	86.0	0.82	8.40	13.0	2.6	7.2	
5.5	132	48555	2880	86.5	0.87	10.70	18.0	2.0	5.9	
7.5		48755	2890	88.0	0.86	14.50	24.0	2.3	6.9	
11	160	51115	2915	89.5	0.86	21.30	36.0	2.1	6.5	
15		51155	2920	90.0	0.87	27.90	49.0	2.2	6.6	
18.5		51185	2940	91.0	0.87	33.90	60.0	2.4	7.0	
1500 rpm, 4-poles, 50 Hz, 400V										
0.12	63	41123	1350	55.0	0.75	0.42	0.85	1.9	2.8	
0.18		41183	1350	60.0	0.77	0.56	1.3	1.9	3.0	
0.25	71	36253	1380	68.6	0.68	0.78	1.8	1.9	3.8	
0.37		36373	1390	71.8	0.7	1.25	2.6	2.5	3.5	
0.55	80	38553	1410	74.0	0.74	1.50	3.8	2.3	4.9	
0.75		38753	1420	76.2	0.77	1.80	5.1	2.3	5.3	
1.1	90	40113	1410	78.0	0.77	2.60	7.4	2.3	4.9	
1.5		40153	1410	80.0	0.79	3.40	10.0	2.4	5.9	
2.2	100L	43225	1420	82.0	0.82	4.70	15.0	2.5	5.6	
3		43035	1420	83.0	0.82	6.40	20.0	2.7	5.6	
4	112M	46045	1425	83.6	0.83	8.40	27.0	1.9	5.7	
5.5	132	49555	1430	85.7	0.83	11.40	37.0	2.0	4.9	
7.5		49755	1440	86.0	0.83	15.70	50.0	2.3	5.4	
11	160	52115	1460	88.5	0.88	20.80	72.0	2.4	6.2	
15		52155	1460	89.9	0.89	27.20	98.0	2.5	6.2	



* Flange-mounted (B5) and foot-mounted (B3) are available for all type of motors.

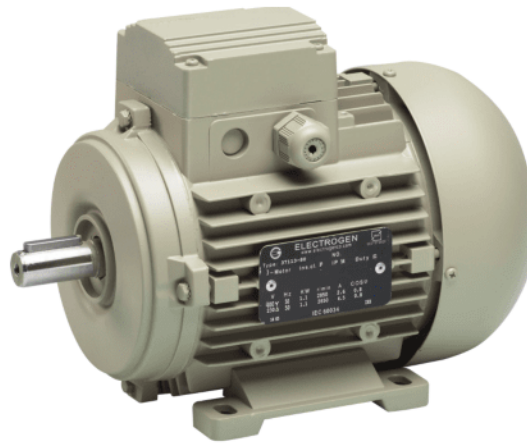


ELECTROGEN

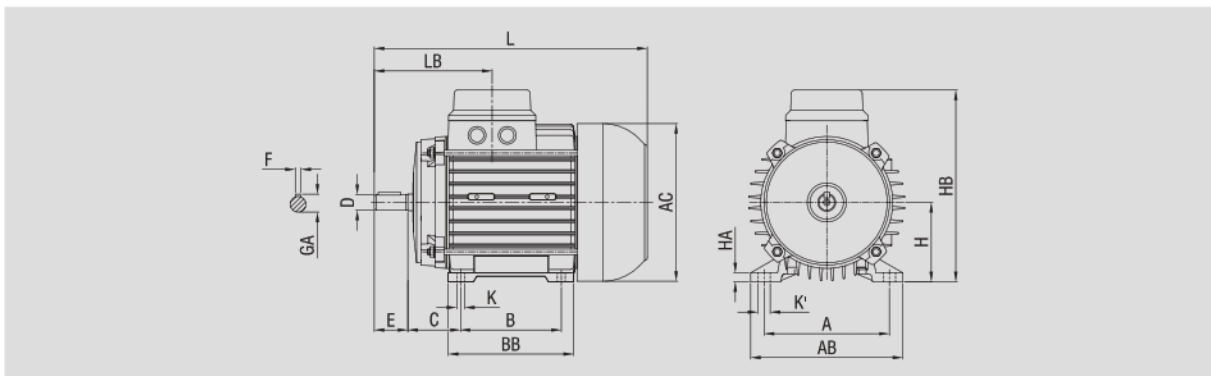


IEC Three Phase Squirrel-Cage Motors Foot-Mounted Motor,IMB3

Dimensions



Frame Size	Housing		No. of Poles	Dimension drawing according to IEC																						
	Cast Aluminium	Cast Iron		H	B	A	C	K	K'	D	E	F	GA	HA	BB	AB	AC	HB	LB	L						
63	Yes	No	2-8	63	80	100	40	M6	12	11	23	4	12.5	7	101	120	124	155	91.5	208						
71				71	90	112	47		11	14	30	5	16	8	112	136	141	171.5	105	244						
80				80	100	124.5	50	M8	15.5	19	40	6	21.5	12	125	150	159	193	118	273						
90S				90																	140	56	18	24	50	26.9
90L				Yes	No	2-8	90	125	140	56	M10	21	28	60	8	30.9	14	183	226.5	219.5	259	161	416			
100							100																	140	160	63
112							112	140	190	70						38	80	10	41.3	16	248	260	259	327	215	532
132							132	178-210	216	89						23	42	12	45.1	23	302	318	156.5	393	264	615
160				Yes	Yes	2-8	160	254	254	108	M12	19	48	110	14	51.5	19	325	344	354	437	339	664			
180				180	239-277		279	121	26	55		16	58.8	27	352	377	395	495	307	723						
200	No	Yes	2-8	200	305	318	133	M16	27	60	140	18	63.8	34	357	437	438	546	407	832						
225				225	286-311	357	149		27	60	140	18	63.8	34	357	437	438	546	407	832						

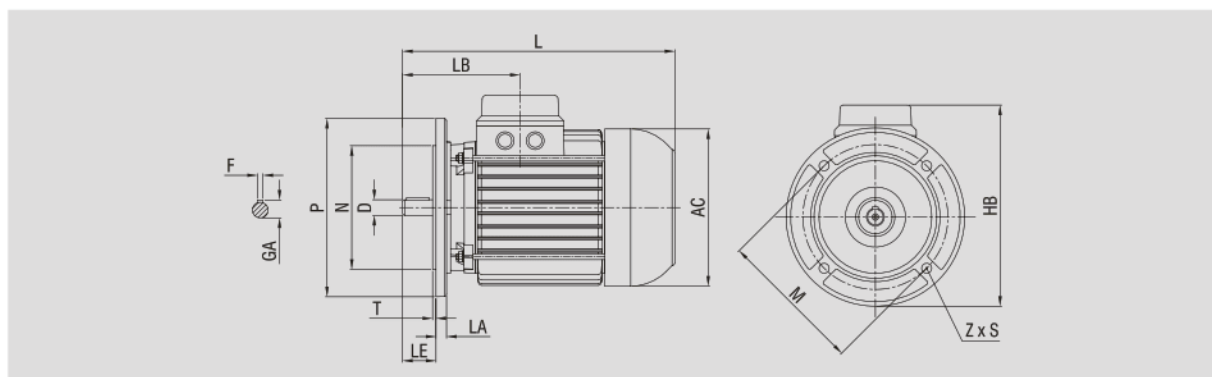


IEC Three Phase Squirrel-Cage Motors Flange-Mounted Motor, IMB5

Dimensions



Frame Size	Housing		No. of Poles	Dimension drawing according to IEC															
	Cast Aluminium	Cast Iron		P	N	M	LA	T	D	LE	F	GA	AC	HB	Z	S	LB	L	
63	Yes	No	2-8	140	95	115	10	3	11	23	4	12.6	124	160	4	M8	91.5	208	
71				160	110	130	9	3.5	14	30	5	16	141	180.5			105	244	
80				200	130	165	11		19	40	6	21.5	159	213		118	273		
90S				200				24	50	8	26.9	176	220	M10		133	306		
90L				250	180	215	12.5	4	28		60	30.9	194.5			257	152.5	403	
100				250			15		28	60	219.5	272	M12	161		416			
112				300	230	265	17	5	38	80	10	41.3		259		346	215	532	
132				Yes	Yes	350	250		300	19	42	110	12	45.1		313	404	M16	264
160						350	250	300	13	48			14	51.5		355	434		339
180				No	Yes	400	300	350	15	55	16	58.8	395	521		307	723		
200	400	300	350			15	60	140	18	63.8	438	546	407	832					
225	450	350	400			16	60	140	18	63.8	438	546	8	407	832				



IEC Three Phase Squirrel-Cage Motors Foot and Flange-Mounted Motor, IMB35

Dimensions



Frame Size	Housing		No. of Poles	Dimension drawing according to IEC																											
	Cast Aluminium	Cast Iron		P	N	M	LA	T	D	LE	F	GA	AC	HB	Z	S	LB	L	B	A	K	K'	HA	BB	AB						
63	Yes	No	2-8	140	95	115	10	3	11	23	4	12.6	124	160	4	M8	91.5	208	80	100	M6	12	7	101	120						
71				160	110	130	9	3.5	14	30	5	16	141	180.5			180.5	105	244	90		112	11	8	112	136					
80				200	130	165	11		19	40	6	21.5	159	213		213	M10	118	273	100	124.5	M8	15.5	12	125	150					
90S				200				24	50	8	26.9	176	220	133		306		125	140		18		13	123	171						
90L				Yes	Yes	250	180	215	12.5		4	28	60	30.9		194.5	257	257	M12	152.5	403	140	160	M10	21	12.5	175	194			
100						250			15	38		80	10			41.3	259	346		219.5	272	272	161			416	140	190	14	183	227
112				Yes	Yes	5	300	230	265	17	42	110	14	45.1		313	404	M16	264	615	254	254	M12	19	23	23	302	318			
132							350	250	300	13				55		58.8	395		521	339	664	239-277			279	19	19	325	344		
160				No	Yes	8	400	300	350	15	48	140	18	63.8		438	546	M16	307	723	305	318	M16	26	26	27	352	377			
180														450		350	400		16	60	140	18			63.8	438	546	407	832	286-311	357
200	400	300	350											15	55	58.8	395		521	307	723	305			318	26	27	352	377		
225				450	350	400	16	60	140	18	63.8	438	546	8	407	832	286-311	357	27	34	357	437									

