



ELECTROGEN



IEC Three Phase Squirrel-Cage Motors Standard Motors up to Frame Size 160

Technical Data

Aluminium housing. Basic version

IE1	Rated Output kW	Size	Type	Rated Speed rpm	Nominal Efficiency	Power Factor	Rated Current at 400v A	Rated Torque Nm	Starting Torque	Starting Current
									For Direct-on-line starting as multiple of the rated	
									Torque	Current
3000 rpm, 2-poles, 50 Hz, 400V										
0.18	63	34183	2800	63.0	0.82	0.50	0.61	2.8	3.7	
0.25		34253	2770	67.6	0.75	0.72	0.86	3.1	3.5	
0.37	71	35373	2800	70.0	0.80	1.00	1.3	3.0	5.0	
0.55		35553	2800	72.0	0.82	1.50	1.85	3.3	5.4	
0.75	80	37753	2830	78.3	0.80	1.70	2.5	3.1	6.0	
1.1		37113	2850	77.9	0.80	2.60	3.8	3.4	5.7	
1.5	90	39153	2860	79.0	0.85	3.25	5.0	2.4	5.5	
2.2		39223	2880	82.0	0.85	4.55	7.3	2.8	6.3	
3	100L	42035	2830	84.0	0.82	6.50	9.9	2.8	6.8	
4	112M	45045	2860	86.0	0.82	8.40	13.0	2.6	7.2	
5.5	132	48555	2880	86.5	0.87	10.70	18.0	2.0	5.9	
7.5		48755	2890	88.0	0.86	14.50	24.0	2.3	6.9	
11	160	51115	2915	89.5	0.86	21.30	36.0	2.1	6.5	
15		51155	2920	90.0	0.87	27.90	49.0	2.2	6.6	
18.5		51185	2940	91.0	0.87	33.90	60.0	2.4	7.0	
1500 rpm, 4-poles, 50 Hz, 400V										
0.12	63	41123	1350	55.0	0.75	0.42	0.85	1.9	2.8	
0.18		41183	1350	60.0	0.77	0.56	1.3	1.9	3.0	
0.25	71	36253	1380	68.6	0.68	0.78	1.8	1.9	3.8	
0.37		36373	1390	71.8	0.7	1.25	2.6	2.5	3.5	
0.55	80	38553	1410	74.0	0.74	1.50	3.8	2.3	4.9	
0.75		38753	1420	76.2	0.77	1.80	5.1	2.3	5.3	
1.1	90	40113	1410	78.0	0.77	2.60	7.4	2.3	4.9	
1.5		40153	1410	80.0	0.79	3.40	10.0	2.4	5.9	
2.2	100L	43225	1420	82.0	0.82	4.70	15.0	2.5	5.6	
3		43035	1420	83.0	0.82	6.40	20.0	2.7	5.6	
4	112M	46045	1425	83.6	0.83	8.40	27.0	1.9	5.7	
5.5	132	49555	1430	85.7	0.83	11.40	37.0	2.0	4.9	
7.5		49755	1440	86.0	0.83	15.70	50.0	2.3	5.4	
11	160	52115	1460	88.5	0.88	20.80	72.0	2.4	6.2	
15		52155	1460	89.9	0.89	27.20	98.0	2.5	6.2	



* Flange-mounted (B5) and foot-mounted (B3) are available for all type of motors.

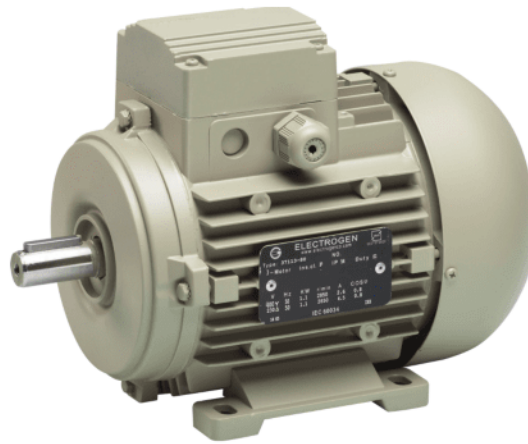


ELECTROGEN

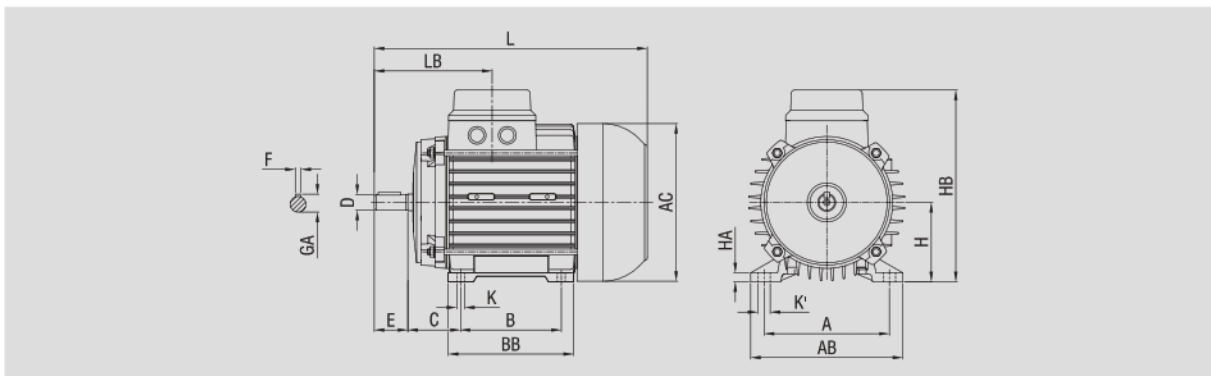


IEC Three Phase Squirrel-Cage Motors Foot-Mounted Motor,IMB3

Dimensions



Frame Size	Housing		No. of Poles	Dimension drawing according to IEC																
	Cast Aluminium	Cast Iron		H	B	A	C	K	K'	D	E	F	GA	HA	BB	AB	AC	HB	LB	L
63	Yes	No	2-8	63	80	100	40	M6	12	11	23	4	12.5	7	101	120	124	155	91.5	208
71				71	90	112	47		11	14	30	5	16	8	112	136	141	171.5	105	244
80				100	M8	80	124.5	50	15.5	19	40	6	21.5	12	125	150	159	193	118	273
90S						90			140	56	18	24	50	8	26.9	13	123	171	176	210
90L				125	90	148	331													
100					100	140	160	63	M10	21	28	60	30.9	12.5	174.5	194	194.5	235	152.5	403
112				112	140	190	70	14						183	226.5	219.5	259	161	416	
132				178-210	216	89	M12	23	42	38	80	10	41.3	16	248	260	259	327	215	532
160																				
180				239-277	279	121	M12	19	48	110	14	51.5	19	325	344	354	437	339	664	
200	200	305	318																	133
225	286-311	357	149	M16	26	55	27	60	140	18	63.8	34	357	437	438	546	407	832		
225																			225	286-311

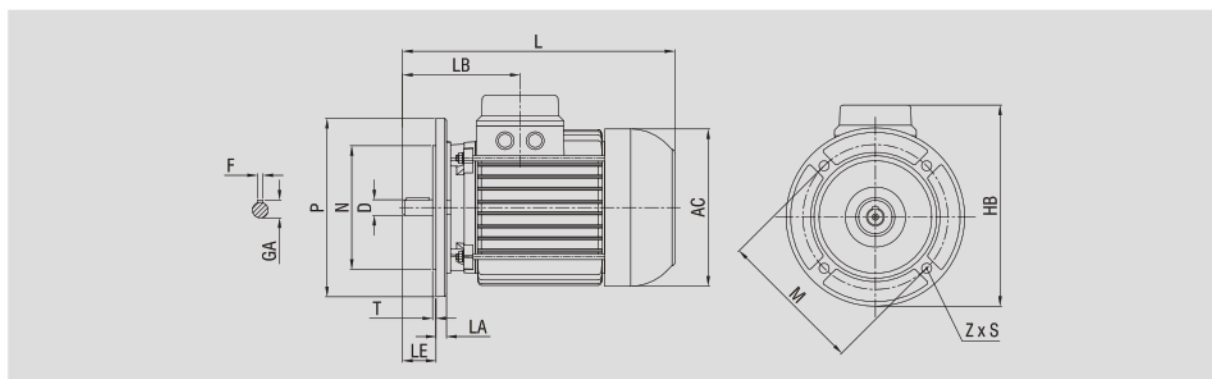


IEC Three Phase Squirrel-Cage Motors Flange-Mounted Motor, IMB5

Dimensions



Frame Size	Housing		No. of Poles	Dimension drawing according to IEC															
	Cast Aluminium	Cast Iron		P	N	M	LA	T	D	LE	F	GA	AC	HB	Z	S	LB	L	
63	Yes	No	2-8	140	95	115	10	3	11	23	4	12.6	124	160	4	M8	91.5	208	
71				160	110	130	9	3.5	14	30	5	16	141	180.5			105	244	
80				200	130	165	11		19	40	6	21.5	159	213		118	273		
90S				200				24	50	8	26.9	176	220	M10		133	306		
90L				250	180	215	12.5	4	28		60	30.9	194.5			257	152.5	403	
100				250			15		38	80	10	41.3	259	346		M12	161	416	
112				300	230	265	17	5	42	110	14	51.5	355	434			215	532	
132				350	250	300	13		48		14	51.5	355	434		M16	264	615	
160				Yes	Yes	2-8	350	250	300	13	48	110	14	51.5			355	434	264
180				No	Yes		400	300	350	15	55	16	58.8	395		521	307	723	
200	400	300	350				15	55	16	58.8	395	521	307	723					
225	450	350	400				16	60	140	18	63.8	438	546	407	832				



IEC Three Phase Squirrel-Cage Motors Foot and Flange-Mounted Motor, IMB35

Dimensions



Frame Size	Housing		No. of Poles	Dimension drawing according to IEC																																			
	Cast Aluminium	Cast Iron		P	N	M	LA	T	D	LE	F	GA	AC	HB	Z	S	LB	L	B	A	K	K'	HA	BB	AB														
63	Yes	No	2-8	140	95	115	10	3	11	23	4	12.6	124	160	4	M8	91.5	208	80	100	M6	12	7	101	120														
71				160	110	130	9	3.5	14	30	5	16	141	180.5			112	105	244	90		112	11	8	112	136													
80				200	130	165	11		19	40	6	21.5	159	213		124.5	15.5	12	125	150																			
90S				200				24	50	8	26.9	176	220	140		M8	18	13	123	171																			
90L				250	180	215	12.5	4	28		60	30.9	194.5	257			152.5	403	140	160	12.5	175	194																
100				250						15			38	80		10	41.3	259	346	219.5	272	161	416	140	190	M10	21	14	183	227									
112				Yes	Yes	2-8	300	230	265	17	5	42	110	12		45.1	313	404	8	M12	215	532	178-210	216	M12	23	23	302	318										
132							350	250	300	19											48	14	51.5	355						434	264	615	254	254	19	19	325	344	
160							400	300	350	15											55	16	58.8	395						521	339	664	239-277	279	M16	26	27	352	377
180							450	350	400	16											60	18	63.8	438						546	407	832	286-311	357	M16	27	34	357	437
200	No	Yes	2-8	450	350	400	16	5	60	140	18	63.8	438	546	8	M16	407	832	286-311	357	M16	27	34	357	437														
225																																							

