



ELECTROGEN



## IEC Three Phase Squirrel-Cage Motors Standard Motors up to Frame Size 160

### Technical Data

Aluminium housing. Basic version

IE1	Rated Output kW	Size	Type	Rated Speed rpm	Nominal Efficiency	Power Factor	Rated Current at 400v A	Rated Torque Nm	Starting Torque	Starting Current
									For Direct-on-line starting as multiple of the rated	
									Torque	Current
<b>3000 rpm, 2-poles, 50 Hz, 400V</b>										
0.18	63	34183	2800	63.0	0.82	0.50	0.61	2.8	3.7	
0.25		34253	2770	67.6	0.75	0.72	0.86	3.1	3.5	
0.37	71	35373	2800	70.0	0.80	1.00	1.3	3.0	5.0	
0.55		35553	2800	72.0	0.82	1.50	1.85	3.3	5.4	
0.75	80	37753	2830	78.3	0.80	1.70	2.5	3.1	6.0	
1.1		37113	2850	77.9	0.80	2.60	3.8	3.4	5.7	
1.5	90	39153	2860	79.0	0.85	3.25	5.0	2.4	5.5	
2.2		39223	2880	82.0	0.85	4.55	7.3	2.8	6.3	
3	100L	42035	2830	84.0	0.82	6.50	9.9	2.8	6.8	
4	112M	45045	2860	86.0	0.82	8.40	13.0	2.6	7.2	
5.5	132	48555	2880	86.5	0.87	10.70	18.0	2.0	5.9	
7.5		48755	2890	88.0	0.86	14.50	24.0	2.3	6.9	
11	160	51115	2915	89.5	0.86	21.30	36.0	2.1	6.5	
15		51155	2920	90.0	0.87	27.90	49.0	2.2	6.6	
18.5		51185	2940	91.0	0.87	33.90	60.0	2.4	7.0	
<b>1500 rpm, 4-poles, 50 Hz, 400V</b>										
0.12	63	41123	1350	55.0	0.75	0.42	0.85	1.9	2.8	
0.18		41183	1350	60.0	0.77	0.56	1.3	1.9	3.0	
0.25	71	36253	1380	68.6	0.68	0.78	1.8	1.9	3.8	
0.37		36373	1390	71.8	0.7	1.25	2.6	2.5	3.5	
0.55	80	38553	1410	74.0	0.74	1.50	3.8	2.3	4.9	
0.75		38753	1420	76.2	0.77	1.80	5.1	2.3	5.3	
1.1	90	40113	1410	78.0	0.77	2.60	7.4	2.3	4.9	
1.5		40153	1410	80.0	0.79	3.40	10.0	2.4	5.9	
2.2	100L	43225	1420	82.0	0.82	4.70	15.0	2.5	5.6	
3		43035	1420	83.0	0.82	6.40	20.0	2.7	5.6	
4	112M	46045	1425	83.6	0.83	8.40	27.0	1.9	5.7	
5.5	132	49555	1430	85.7	0.83	11.40	37.0	2.0	4.9	
7.5		49755	1440	86.0	0.83	15.70	50.0	2.3	5.4	
11	160	52115	1460	88.5	0.88	20.80	72.0	2.4	6.2	
15		52155	1460	89.9	0.89	27.20	98.0	2.5	6.2	



\* Flange-mounted (B5) and foot-mounted (B3) are available for all type of motors.

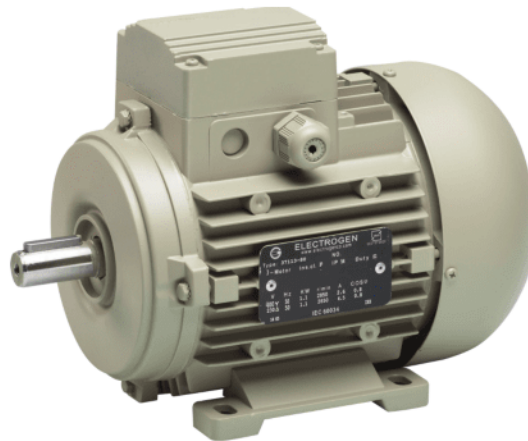


ELECTROGEN

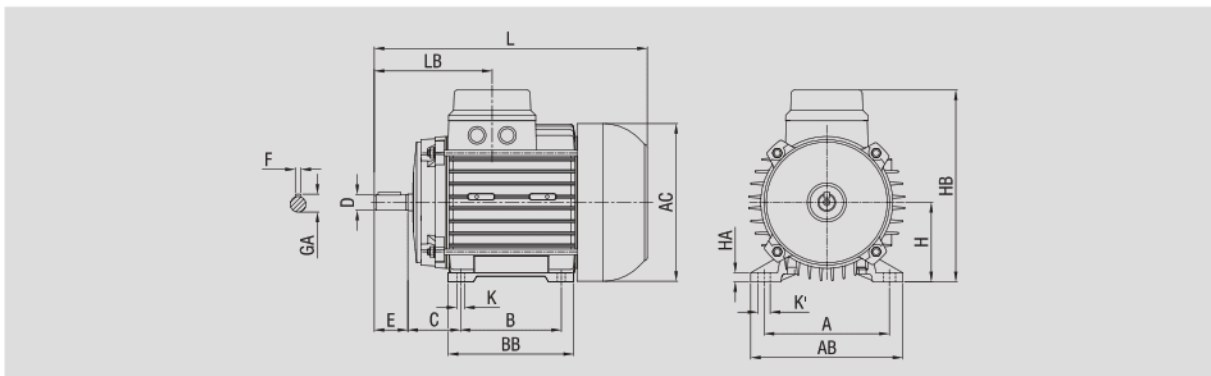


IEC Three Phase Squirrel-Cage Motors  
Foot-Mounted Motor, IMB3

Dimensions



Frame Size	Housing		No. of Poles	Dimension drawing according to IEC																
	Cast Aluminium	Cast Iron		H	B	A	C	K	K'	D	E	F	GA	HA	BB	AB	AC	HB	LB	L
63	Yes	No	2-8	63	80	100	40	M6	12	11	23	4	12.5	7	101	120	124	155	91.5	208
71				71	90	112	47		11	14	30	5	16	8	112	136	141	171.5	105	244
80				100	124.5	50	M8	15.5	19	40	6	21.5	12	125	150	159	193	118	273	
90S								18	24	50	8	26.9	13	123	171	176	210	133	306	
90L				125	140	56	18	24	50	30.9		14	183	226.5	219.5	259	161	416		
100				100	140	160	63	M10	21	28	60	10	41.3	16	248	260	259	327	215	532
112				112	140	190	70		38	80	14		51.5	19	325	344	354	437	339	664
132				132	178-210	216	89	M12	23	42	110	12	45.1	23	302	318	156.5	393	264	615
160				160	254	254	108		19	48		14	51.5	19	325	344	354	437	339	664
180				No	Yes	2-8	180	239-277	279	121	M16	26	55	16	58.8	27	352	377	395	495
200	200	305	318				133	27	60	140		18	63.8		34	357	437	438	546	407
225	225	286-311	357				149	27	60	140	18	63.8	34	357	437	438	546	407	832	

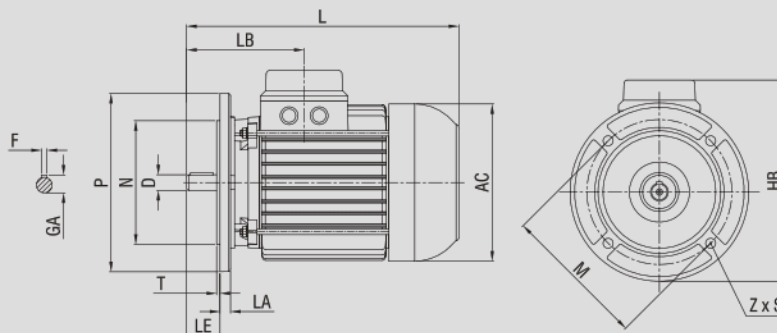


## IEC Three Phase Squirrel-Cage Motors Flange-Mounted Motor, IMB5

### Dimensions



Frame Size	Housing		No. of Poles	Dimension drawing according to IEC															
	Cast Aluminium	Cast Iron		P	N	M	LA	T	D	LE	F	GA	AC	HB	Z	S	LB	L	
63	Yes	No	2-8	140	95	115	10	3	11	23	4	12.6	124	160	4	M8	91.5	208	
71				160	110	130	9	3.5	14	30	5	16	141	180.5			105	244	
80				200	130	165	11		19	40	6	21.5	159	213		118	273		
90S				200				24	50	26.9	176	220	133	306					
90L				250	180	215	12.5	4	28	60	8	30.9	194.5	257		152.5	403		
100							15		219.5	272		161	416						
112				300	230	265	17	5	38	80	10	41.3	259	346		215	532		
132									42	12	45.1	313	404	264		615			
160				Yes	Yes	350	250	300	19	5	48	110	14	51.5		355	434	339	664
180				No	Yes		13	55	16		58.8	395	521	307		723			
200	400	300	350			15	60	140	18	63.8	438	546	8	407	832				
225	450	350	400			16													



## IEC Three Phase Squirrel-Cage Motors Foot and Flange-Mounted Motor, IMB35

### Dimensions



Frame Size	Housing		No. of Poles	Dimension drawing according to IEC																									
	Cast Aluminium	Cast Iron		P	N	M	LA	T	D	LE	F	GA	AC	HB	Z	S	LB	L	B	A	K	K'	HA	BB	AB				
63	Yes	No	2-8	140	95	115	10	3	11	23	4	12.6	124	160	4	M8	91.5	208	80	100	M6	12	7	101	120				
71				160	110	130	9	3.5	14	30	5	16	141	180.5			112	105	244	90		112	11	8	112	136			
80				200	130	165	11		19	40	6	21.5	159	213		124.5	M10	118	273	100	15.5	12	125	150					
90S				200				24	50	8	26.9	176	220	133		306		140	M8	18	13	123	171						
90L				250	180	215	12.5	4	28		60	30.9	194.5	257		152.5	403			140	160	M10		21	12.5	175	194		
100				250			15		38	80	10	41.3	259	346		215	532	178-210	216	190	14		183		227				
112				Yes	Yes	2-8	300	230	265	17	5	42	110	12		45.1	313	404	M12	264	615	254	254	M12	23	23	302	318	
132							350	250	300	19		48		14		51.5	355	434		339	664	239-277	279		19	19	325	344	
160							400	300	350	15		55		16		58.8	395	521		307	723	305	318		M16	26	27	352	377
180							450	350	400	16		60		140		18	63.8	438		546	407	832	286-311			357	27	34	357
200	No	Yes	2-8	4	5	16	60	140	18	63.8	438	546	8	M16	27	34	357	437											
225																													

