



ELECTROGEN



IEC Three Phase Squirrel-Cage Motors Standard Motors up to Frame Size 160

Technical Data

Aluminium housing. Basic version

IE1	Rated Output kW	Size	Type	Rated Speed rpm	Nominal Efficiency	Power Factor	Rated Current at 400v A	Rated Torque Nm	Starting Torque	Starting Current
									For Direct-on-line starting as multiple of the rated	
									Torque	Current
3000 rpm, 2-poles, 50 Hz, 400V										
0.18	63	34183	2800	63.0	0.82	0.50	0.61	2.8	3.7	
0.25		34253	2770	67.6	0.75	0.72	0.86	3.1	3.5	
0.37	71	35373	2800	70.0	0.80	1.00	1.3	3.0	5.0	
0.55		35553	2800	72.0	0.82	1.50	1.85	3.3	5.4	
0.75	80	37753	2830	78.3	0.80	1.70	2.5	3.1	6.0	
1.1		37113	2850	77.9	0.80	2.60	3.8	3.4	5.7	
1.5	90	39153	2860	79.0	0.85	3.25	5.0	2.4	5.5	
2.2		39223	2880	82.0	0.85	4.55	7.3	2.8	6.3	
3	100L	42035	2830	84.0	0.82	6.50	9.9	2.8	6.8	
4	112M	45045	2860	86.0	0.82	8.40	13.0	2.6	7.2	
5.5	132	48555	2880	86.5	0.87	10.70	18.0	2.0	5.9	
7.5		48755	2890	88.0	0.86	14.50	24.0	2.3	6.9	
11	160	51115	2915	89.5	0.86	21.30	36.0	2.1	6.5	
15		51155	2920	90.0	0.87	27.90	49.0	2.2	6.6	
18.5		51185	2940	91.0	0.87	33.90	60.0	2.4	7.0	
1500 rpm, 4-poles, 50 Hz, 400V										
0.12	63	41123	1350	55.0	0.75	0.42	0.85	1.9	2.8	
0.18		41183	1350	60.0	0.77	0.56	1.3	1.9	3.0	
0.25	71	36253	1380	68.6	0.68	0.78	1.8	1.9	3.8	
0.37		36373	1390	71.8	0.7	1.25	2.6	2.5	3.5	
0.55	80	38553	1410	74.0	0.74	1.50	3.8	2.3	4.9	
0.75		38753	1420	76.2	0.77	1.80	5.1	2.3	5.3	
1.1	90	40113	1410	78.0	0.77	2.60	7.4	2.3	4.9	
1.5		40153	1410	80.0	0.79	3.40	10.0	2.4	5.9	
2.2	100L	43225	1420	82.0	0.82	4.70	15.0	2.5	5.6	
3		43035	1420	83.0	0.82	6.40	20.0	2.7	5.6	
4	112M	46045	1425	83.6	0.83	8.40	27.0	1.9	5.7	
5.5	132	49555	1430	85.7	0.83	11.40	37.0	2.0	4.9	
7.5		49755	1440	86.0	0.83	15.70	50.0	2.3	5.4	
11	160	52115	1460	88.5	0.88	20.80	72.0	2.4	6.2	
15		52155	1460	89.9	0.89	27.20	98.0	2.5	6.2	



* Flange-mounted (B5) and foot-mounted (B3) are available for all type of motors.



ELECTROGEN

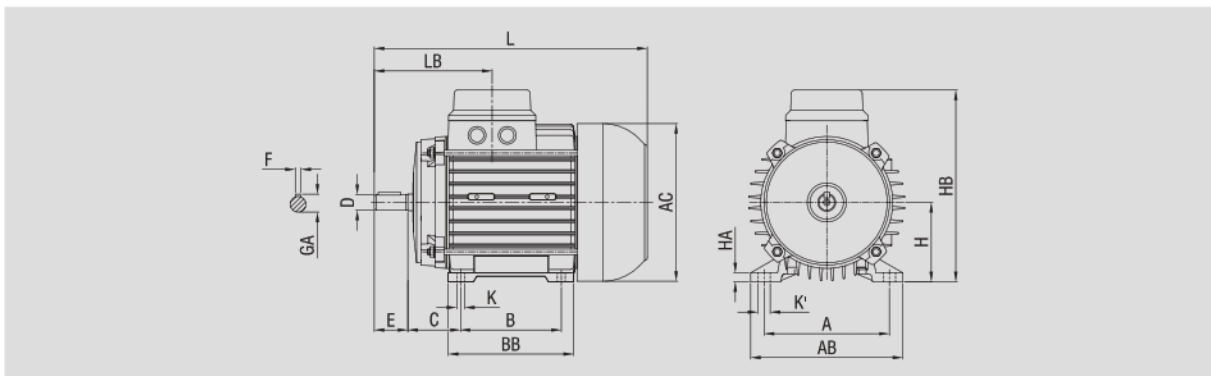


IEC Three Phase Squirrel-Cage Motors
Foot-Mounted Motor,IMB3

Dimensions



Frame Size	Housing		No. of Poles	Dimension drawing according to IEC																													
	Cast Aluminium	Cast Iron		H	B	A	C	K	K'	D	E	F	GA	HA	BB	AB	AC	HB	LB	L													
63	Yes	No	2-8	63	80	100	40	M6	12	11	23	4	12.5	7	101	120	124	155	91.5	208													
71				71	90	112	47		11	14	30	5	16	8	112	136	141	171.5	105	244													
80				80	100	124.5	50	M8	15.5	19	40	6	21.5	12	125	150	159	193	118	273													
90S				90																	140	56	18	24	50	26.9	13	123	171	176	210	133	306
90L				Yes	No	2-8	90	125	140	56	M10	21	28	60	8	30.9	12.5	174.5	194	194.5	235	152.5	403										
100							100	140	63	14														183	226.5	219.5	259	161	416				
112							112	140	70	38														80	10	41.3	16	248	260	259	327	215	532
132							132	178-210	216	89														12	45.1	23	302	318	156.5	393	264	615	
160				Yes	Yes	2-8	160	254	254	108	M12	23	42	110	14	51.5	19	325	344	354	437	339	664										
180				180	239-277		279	121	19	48														16	58.8	27	352	377	395	495	307	723	
200	No	Yes	2-8	200	305	318	133	M16	26	55	140	18	63.8	34	357	437	438	546	407	832													
225				225	286-311	357	149														27	60	16	63.8	34	357	437	438	546	407	832		

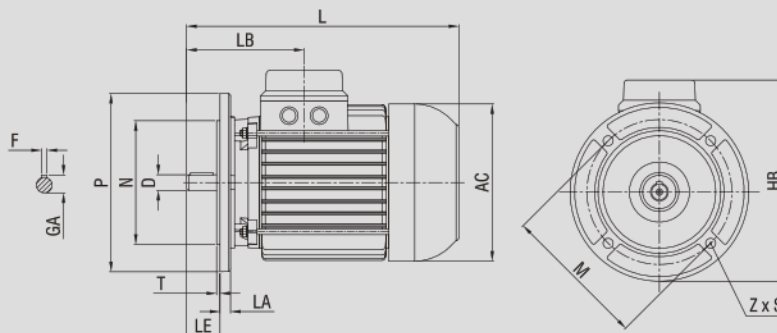


IEC Three Phase Squirrel-Cage Motors Flange-Mounted Motor, IMB5

Dimensions



Frame Size	Housing		No. of Poles	Dimension drawing according to IEC																	
	Cast Aluminium	Cast Iron		P	N	M	LA	T	D	LE	F	GA	AC	HB	Z	S	LB	L			
63	Yes	No	2-8	140	95	115	10	3	11	23	4	12.6	124	160	4	M8	91.5	208			
71				160	110	130	9	3.5	14	30	5	16	141	180.5			105	244			
80				200	130	165	11		19	40	6	21.5	159	213		118	273				
90S				200				24	50	8	26.9	176	220	133		306					
90L				250	180	215	12.5	4	28		60	30.9	194.5	257		152.5	403				
100				250			15		38	80	10	41.3	259	346		161	416				
112				Yes	Yes	2-8	300	230	265	17	5	42	110	12		45.1	313	404	M12	215	532
132							350	250	300	13		48		14		51.5	355	434		264	615
160							No	Yes	400	300	350	15	55	16		58.8	395	521	307	723	
180									450	350	400	16	60	140		18	63.8	438	546	407	832
200																					
225																					



IEC Three Phase Squirrel-Cage Motors Foot and Flange-Mounted Motor, IMB35

Dimensions



Frame Size	Housing		No. of Poles	Dimension drawing according to IEC																									
	Cast Aluminium	Cast Iron		P	N	M	LA	T	D	LE	F	GA	AC	HB	Z	S	LB	L	B	A	K	K'	HA	BB	AB				
63	Yes	No	2-8	140	95	115	10	3	11	23	4	12.6	124	160	4	M8	91.5	208	80	100	M6	12	7	101	120				
71				160	110	130	9	3.5	14	30	5	16	141	180.5			180.5	105	244	90		112	11	8	112	136			
80				200	130	165	11		19	40	6	21.5	159	213		213	M10	118	273	100	124.5	M8	15.5	12	125	150			
90S				200				24	50	8	26.9	176	220	133		306		125	140		18		13	123	171				
90L				Yes	Yes	2-8	250	180	215		12.5	4	28	60		30.9	194.5	257	M12	152.5	403	140	160	M10	21	12.5	175	194	
100							250			15	38		80	10			41.3	259		346	219.5	272	216			161	416	140	190
112							300	230	265	17	5	42	48	110		14	51.5	355	434	M16	215	532	178-210	216	M12	19	16	248	260
132							350	250	300	19											12	45.1	313	404			264	615	254
160				No	Yes	2-8	350	300	350	13	5	55	16	58.8		395	521	M16	339	664	239-277	279	M12	19	19	325	344		
180							400			300		15							55	16	58.8	395			521	307	723	305	318
200	450	350	400				16	60	140	18	63.8	438	546	546	8	407	832	286-311	357	M16	27	34	357	437					
225	450	350	400				16	60	140	18	63.8	438	546	546	8	407	832	286-311	357			27	34	357	437				

