

IEC Three Phase Squirrel-Cage Motors Standard Motors up to Frame Size 160

Technical Data

Aluminium housing. Basic version

IE1	Rated Output kW	Size	Type	Rated Speed rpm	Nominal Efficiency	Power Factor	Rated Current at 400V A	Rated Torque Nm	Starting Torque	Starting Current
									For Direct-on-line starting as multiple of the rated	
									Torque	Current
1000 rpm, 6-poles, 50 Hz, 400V										
0.09	63	41904	850	45.0	0.66	0.44	1.0	1.8	2.0	
0.18	71	36184	850	53.0	0.73	0.67	2.0	2.1	2.3	
0.25		36255	860	60.0	0.76	0.79	2.8	2.2	2.7	
0.37	80	38374	920	62.0	0.72	1.20	3.8	1.9	3.1	
0.55		38554	910	67.0	0.74	1.60	5.8	2.1	3.4	
0.75	90	40754	915	69.0	0.76	2.05	7.8	2.2	3.7	
1.1		40115	915	72.0	0.77	2.85	11.0	2.3	3.8	
1.5	100L	44155	925	74.0	0.75	3.90	15.0	2.3	4.0	
2.2	112M	47225	940	78.0	0.78	5.20	22.0	2.2	4.6	
3	132	50035	950	79.0	0.76	7.20	30.0	1.9	4.2	
4		50045	950	80.5	0.76	9.40	40.0	2.1	4.5	
5.5		50555	950	83.0	0.76	12.60	55.0	2.3	5.0	
7.5	160	53755	960	86.0	0.74	17.00	75.0	2.1	4.6	
11		53115	960	87.5	0.74	24.50	109.0	2.3	4.8	
750 rpm, 8-poles, 50 Hz, 400V										
0.09	71	36905	630	53.0	0.68	0.36	1.4	1.9	2.2	
0.12		36125	645	53.0	0.64	0.51	1.8	2.2	2.2	
0.18	80	38185	675	51.0	0.68	0.75	2.5	1.7	2.3	
0.25		38255	685	55.0	0.64	1.02	3.5	2.0	2.6	
0.37	90	40375	675	63.0	0.75	1.14	5.2	1.6	2.9	
0.55		40555	675	66.0	0.76	1.58	7.8	1.7	3.0	
0.75	100L	44755	680	66.0	0.76	2.15	11.0	1.6	3.0	
1.1		44115	680	72.0	0.76	2.90	15.0	1.8	3.3	
1.5	112M	47155	705	74.0	0.76	3.85	20.0	1.8	3.7	
2.2	132	50227	700	75.0	0.74	5.70	30.0	1.9	3.9	
3		50037	700	77.0	0.74	7.60	41.0	2.1	4.1	
4	160	53045	715	80.0	0.72	10.00	53.0	2.2	4.5	
5.5		53555	710	83.5	0.73	13.00	74.0	2.3	4.7	
7.5		53755	715	85.5	0.72	17.60	100.0	2.7	5.3	

* Flange-mounted (B5) and foot-mounted (B3) are available for all type of motors.



ELECTROGEN

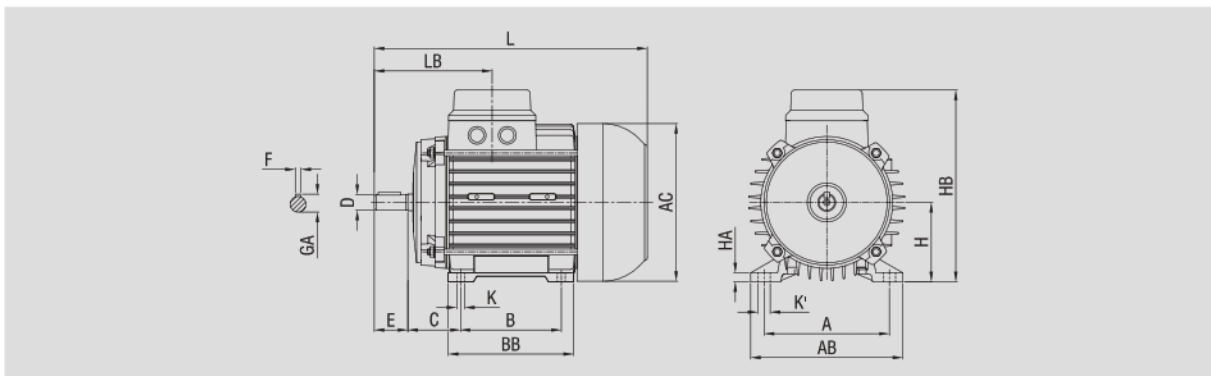


IEC Three Phase Squirrel-Cage Motors Foot-Mounted Motor, IMB3

Dimensions



Frame Size	Housing		No. of Poles	Dimension drawing according to IEC																		
	Cast Aluminium	Cast Iron		H	B	A	C	K	K'	D	E	F	GA	HA	BB	AB	AC	HB	LB	L		
63	Yes	No	2-8	63	80	100	40	M6	12	11	23	4	12.5	7	101	120	124	155	91.5	208		
71				71	90	112	47		11	14	30	5	16	8	112	136	141	171.5	105	244		
80				100	M8	80	124.5	50	15.5	19	40	6	21.5	12	125	150	159	193	118	273		
90S						90			140	56	18	24	50	8	26.9	13	123	171	176	210	133	306
90L				125	M10	100	140	160			63	21	28		60	30.9	12.5	174.5	194	194.5	235	152.5
100						112	140	190	70	14	183			226.5			219.5	259	161	416		
112				178-210	216	89	132	M12	23	42	38	80	10	41.3	16	248	260	259	327	215	532	
160							160															254
180				No	Yes	2-8	180	239-277	279	121	M16	26	55	16	58.8	27	352	377	395	495	307	723
200							200	305	318	133		27	60									
225	225	286-311	357				149	27	60	140	18	63.8	34	357	437	438	546	407	832			

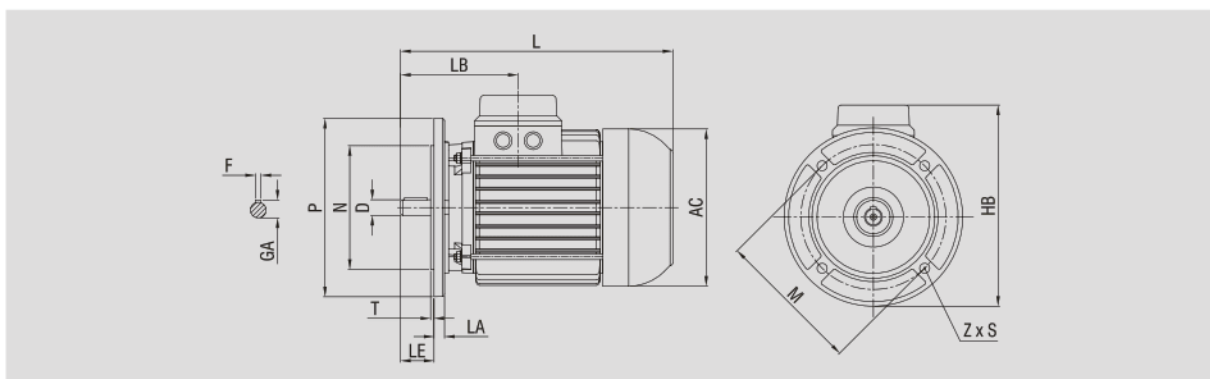


IEC Three Phase Squirrel-Cage Motors Flange-Mounted Motor, IMB5

Dimensions



Frame Size	Housing		No. of Poles	Dimension drawing according to IEC																			
	Cast Aluminium	Cast Iron		P	N	M	LA	T	D	LE	F	GA	AC	HB	Z	S	LB	L					
63	Yes	No	2-8	140	95	115	10	3	11	23	4	12.6	124	160	4	M8	91.5	208					
71				160	110	130	9	3.5	14	30	5	16	141	180.5			105	244					
80				200	130	165	11		19	40	6	21.5	159	213			118	273					
90S				200				24	50	26.9	176	220	133	306									
90L				250	180	215	12.5	4	28	60	8	30.9	194.5	257		152.5	403						
100							15						219.5	272		161	416						
112				300	230	265	17	5	38	80	10	41.3	259	346		M12	215	532					
132																	42	12	45.1	313	404	264	615
160																	48	14	51.5	355	434	339	664
180				400	300	350	15	5	55	110	16	58.8	395	521		M16	307	723					
200	60	140	18												63.8		438	546	8	407	832		
225	350	350	400												16		60	140	18	63.8	438	546	8



IEC Three Phase Squirrel-Cage Motors Foot and Flange-Mounted Motor, IMB35

Dimensions



Frame Size	Housing		No. of Poles	Dimension drawing according to IEC																											
	Cast Aluminium	Cast Iron		P	N	M	LA	T	D	LE	F	GA	AC	HB	Z	S	LB	L	B	A	K	K'	HA	BB	AB						
63	Yes	No	2-8	140	95	115	10	3	11	23	4	12.6	124	160	4	M8	91.5	208	80	100	M6	12	7	101	120						
71				160	110	130	9	3.5	14	30	5	16	141	180.5			180.5	105	244	90		112	11	8	112	136					
80				200	130	165	11		19	40	6	21.5	159	213		213	M10	118	273	100	124.5	M8	15.5	12	125	150					
90S				200				24	50	8	26.9	176	220	133		306		125	140		18		13	123	171						
90L				Yes	No	2-8	250	180	215		12.5	4	28	60		30.9	194.5	257	M12	152.5	403	140	160	M10	21	12.5	175	194			
100							250			15	38		80	10			41.3	259		346	219.5	272	161			416	140	190	14	183	227
112							Yes	Yes	2-8	300	230	265	17	5		42	110	14	45.1	313	404	M16	264	615	254	254	M12	23	23	302	318
132										350	250	300	19			48			51.5	355	434		339	664	239-277	279		19	19	325	344
160				No	Yes	2-8	400	300	350	15	5	55	140	18		58.8	395	521	M16	307	723	305	318	M16	26	27	352	377			
180							450	350	400	16		60				63.8	438	546		407	832	286-311	357		27	34	357	437			
200	450	350	400				16	60	140	18		63.8			438	546	407	832		286-311	357	27	34		357	437					
225																															

