

IEC Three Phase Squirrel-Cage Motors Standard Motors Frame Sizes 160 to 225

Technical Data

Cast iron housing. Basic version

IE1	Rated Output kW	Size	Type	Rated Speed rpm	Nominal Efficiency	Power Factor	Rated Current at 400v A	Rated Torque Nm	Starting Torque	Starting Current
									For Direct-on-line starting as multiple of the rated	
									Torque	Current
3000 rpm, 2-poles, 50 Hz, 400V										
11	160	51117	2940	89.5	0.88	20.00	36.0	2.1	6.5	
15		51157	2940	90.0	0.90	26.50	49.0	2.2	6.6	
18.5		51187	2940	91.0	0.91	32.00	60.0	2.4	7.0	
22	180	56225	2945	91.6	0.86	40.50	71.0	2.5	6.4	
30	200	59305	2950	91.8	0.88	54.00	97.0	2.3	6.5	
37		59375	2955	92.9	0.89	65.00	120.0	2.5	7.2	
45		62455	2960	93.6	0.88	79.00	145.0	2.4	6.7	
1500 rpm, 4-poles, 50 Hz, 400V										
11	160	52117	1460	88.5	0.84	21.50	72.0	2.2	6.2	
15		52157	1460	90.0	0.84	28.50	98.0	2.6	6.5	
18.5	180	57185	1465	90.4	0.84	35.00	120.0	2.4	6.7	
22		57225	1465	91.0	0.84	41.50	143.0	2.5	6.9	
30	200	60305	1465	91.6	0.85	56.00	195.0	2.5	6.7	
37	225	63375	1475	92.2	0.85	68.00	239.0	2.5	6.7	
45		63455	1475	93.1	0.86	81.00	290.0	2.7	7.2	
1000 rpm, 6-poles, 50 Hz, 400V										
7.5	160	53757	960	86.0	0.74	17.00	75.0	2.1	4.6	
11		53117	960	87.5	0.74	24.50	109.0	2.3	4.8	
15	180	58155	965	88.9	0.83	29.50	148.0	2.3	5.3	
18.5	200	61185	975	89.8	0.81	36.50	181.0	2.5	5.6	
22		61225	975	90.3	0.81	43.50	215.0	2.6	5.7	
30	225	64305	978	91.8	0.83	57.00	293.0	2.7	5.6	
750 rpm, 8-poles, 50 Hz, 400V										
4	160	53047	715	80.0	0.72	10.00	53.0	2.2	4.5	
5.5		53557	715	83.5	0.73	13.00	74.0	2.3	4.7	
7.5		53758	715	85.5	0.72	17.60	100.0	2.7	5.3	
11	180	58115	725	87.5	0.73	25.00	145.0	1.7	4.2	
15	200	61155	725	87.7	0.76	32.50	198.0	2.2	4.9	
18.5	225	64185	730	89.4	0.78	38.50	242.0	2.3	5.5	
22		64225	730	89.7	0.79	45.00	288.0	2.3	5.6	



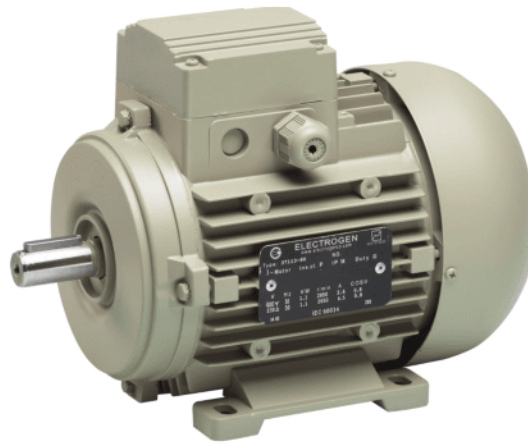


ELECTROGEN

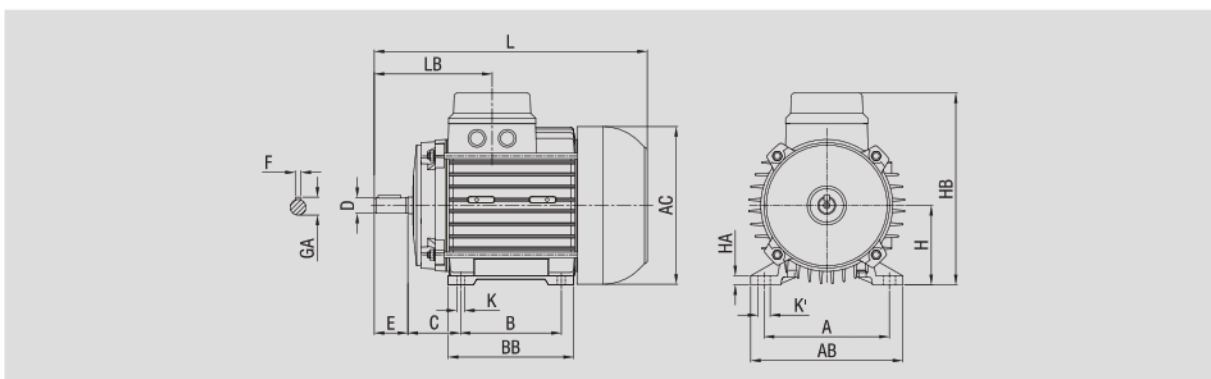


IEC Three Phase Squirrel-Cage Motors
Foot-Mounted Motor,IMB3

Dimensions



Frame Size	Housing		No. of Poles	Dimension drawing according to IEC																					
	Cast Aluminium	Cast Iron		H	B	A	C	K	K'	D	E	F	GA	HA	BB	AB	AC	HB	LB	L					
63	Yes	No	2-8	63	80	100	40	M6	12	11	23	4	12.5	7	101	120	124	155	91.5	208					
71				71	90	112	47		11	14	30	5	16	8	112	136	141	171.5	105	244					
80				100	124.5	50	M8	15.5	19	40	6	21.5	12	125	150	159	193	118	273						
90S								18	24	50	8	26.9	13	123	171	176	210	133	306						
90L				125	140	56	18	24	50	30.9		14	183	226.5	219.5	259	161	416							
100				12.5	174.5	194	194.5	235	152.5	403	100	140	160	63	M10	21	28	60	14	183	226.5	219.5	259	161	416
112											140	190	70	38		80	10	41.3	16	248	260	259	327	215	532
132											178-210	216	89	23	42	12	45.1	23	302	318	156.5	393	264	615	
160				Yes	Yes	M12	160	254	254	108	19	48	110	14	51.5	19	325	344	354	437	339	664			
180				239-277	279		121	26	55	16	58.8	27	352	377	395	495	307	723							
200	No	Yes	M16	200	305	318	133	27	60	140	18	63.8	34	357	437	438	546	407	832						
225	286-311	357		149	27	60	140	18	63.8	34	357	437	438	546	407	832									

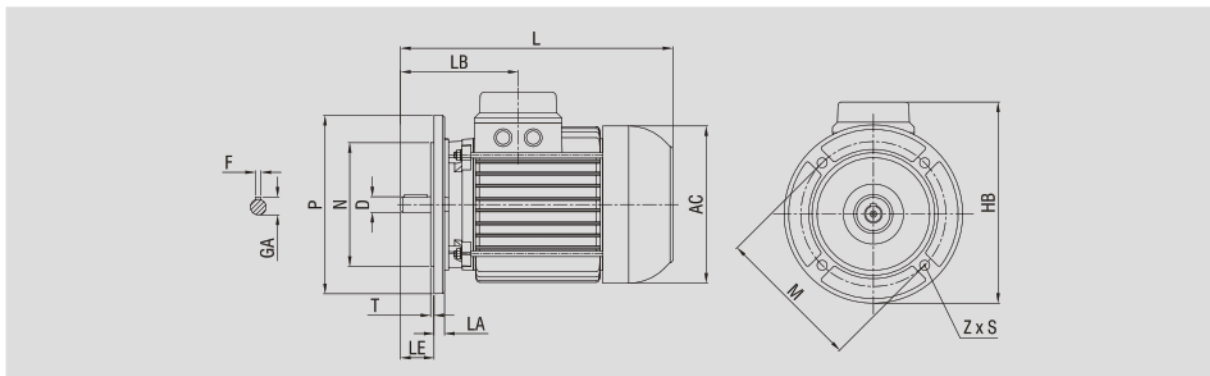


IEC Three Phase Squirrel-Cage Motors Flange-Mounted Motor, IMB5

Dimensions



Frame Size	Housing		No. of Poles	Dimension drawing according to IEC																		
	Cast Aluminium	Cast Iron		P	N	M	LA	T	D	LE	F	GA	AC	HB	Z	S	LB	L				
63	Yes	No	2-8	140	95	115	10	3	11	23	4	12.6	124	160	4	M8	91.5	208				
71				160	110	130	9	3.5	14	30	5	16	141	180.5			105	244				
80				200	130	165	11		19	40	6	21.5	159	213		118	273					
90S				200				24	50	8	26.9	176	220	M10		133	306					
90L				250	180	215	12.5	4	28		60	30.9	194.5			257	152.5	403				
100				250			15		38	80	10	41.3	259	346		M12	161	416				
112				300	230	265	17	5	42	110	14	51.5	355	434			M16	215	532			
132				350	250	300	13		48							12		45.1	313	404	264	615
160				Yes	Yes	2-8	350	250	300	19	5	48	110	14		51.5	355	434	M16	339	664	
180				No	Yes		400	300	350	15		55								16	58.8	395
200	450	350	400				16	60	140	18		63.8			438					546	407	832
225	450	350	400				16	60	140	18		63.8			438					546	8	407



IEC Three Phase Squirrel-Cage Motors Foot and Flange-Mounted Motor, IMB35

Dimensions



Frame Size	Housing		No. of Poles	Dimension drawing according to IEC																										
	Cast Aluminium	Cast Iron		P	N	M	LA	T	D	LE	F	GA	AC	HB	Z	S	LB	L	B	A	K	K'	HA	BB	AB					
63	Yes	No	2-8	140	95	115	10	3	11	23	4	12.6	124	160	4	M8	91.5	208	80	100	M6	12	7	101	120					
71				160	110	130	9	3.5	14	30	5	16	141	180.5			180.5	105	244	90		112	11	8	112	136				
80				200	130	165	11		19	40	6	21.5	159	213		213	M10	118	273	100	124.5	M8	15.5	12	125	150				
90S				200				24	50	8	26.9	176	220	133		306		125	140		18		13	123	171					
90L				Yes	Yes	2-8	250	180	215		12.5	4	28	60		30.9	194.5	257	M12	152.5	403	140	160	M10	21	12.5	175	194		
100							250			15	38		80	10			41.3	259		346	219.5	272	216			14	183	227		
112							No	Yes	2-8	300	230	265	17	5		42	110	14	254	346	M16	264	615	254	254	M12	23	23	302	318
132										350	250	300	19			48			51.5	355		434	339	664	239-277		279	19	19	325
160				No	Yes	2-8	400	300	350	15	5	55	140	18		58.8	395	521	M16	307	723	305	318	M16	26	27	352	377		
180							450	350	400	16		60				63.8	438	546		407	832	286-311	357		27	34	357	437		
200	450	350	400				16	60	140	18		63.8			438	546	407	832		286-311	357	27	34		357	437				
225																														

