

IEC Three Phase Squirrel-Cage Motors Standard Motors Frame Sizes 160 to 225

Technical Data

Cast iron housing. Basic version

IE1	Rated Output kW	Size	Type	Rated Speed rpm	Nominal Efficiency	Power Factor	Rated Current at 400v A	Rated Torque Nm	Starting Torque	Starting Current
									For Direct-on-line starting as multiple of the rated	
									Torque	Current
3000 rpm, 2-poles, 50 Hz, 400V										
11		160	51117	2940	89.5	0.88	20.00	36.0	2.1	6.5
15		160	51157	2940	90.0	0.90	26.50	49.0	2.2	6.6
18.5		160	51187	2940	91.0	0.91	32.00	60.0	2.4	7.0
22		180	56225	2945	91.6	0.86	40.50	71.0	2.5	6.4
30		200	59305	2950	91.8	0.88	54.00	97.0	2.3	6.5
37		200	59375	2955	92.9	0.89	65.00	120.0	2.5	7.2
45		225	62455	2960	93.6	0.88	79.00	145.0	2.4	6.7
1500 rpm, 4-poles, 50 Hz, 400V										
11		160	52117	1460	88.5	0.84	21.50	72.0	2.2	6.2
15		160	52157	1460	90.0	0.84	28.50	98.0	2.6	6.5
18.5		180	57185	1465	90.4	0.84	35.00	120.0	2.4	6.7
22		180	57225	1465	91.0	0.84	41.50	143.0	2.5	6.9
30		200	60305	1465	91.6	0.85	56.00	195.0	2.5	6.7
37		225	63375	1475	92.2	0.85	68.00	239.0	2.5	6.7
45		225	63455	1475	93.1	0.86	81.00	290.0	2.7	7.2
1000 rpm, 6-poles, 50 Hz, 400V										
7.5		160	53757	960	86.0	0.74	17.00	75.0	2.1	4.6
11		160	53117	960	87.5	0.74	24.50	109.0	2.3	4.8
15		180	58155	965	88.9	0.83	29.50	148.0	2.3	5.3
18.5		200	61185	975	89.8	0.81	36.50	181.0	2.5	5.6
22		200	61225	975	90.3	0.81	43.50	215.0	2.6	5.7
30		225	64305	978	91.8	0.83	57.00	293.0	2.7	5.6
750 rpm, 8-poles, 50 Hz, 400V										
4		160	53047	715	80.0	0.72	10.00	53.0	2.2	4.5
5.5		160	53557	715	83.5	0.73	13.00	74.0	2.3	4.7
7.5		160	53758	715	85.5	0.72	17.60	100.0	2.7	5.3
11		180	58115	725	87.5	0.73	25.00	145.0	1.7	4.2
15		200	61155	725	87.7	0.76	32.50	198.0	2.2	4.9
18.5		225	64185	730	89.4	0.78	38.50	242.0	2.3	5.5
22		225	64225	730	89.7	0.79	45.00	288.0	2.3	5.6



ELECTROGEN

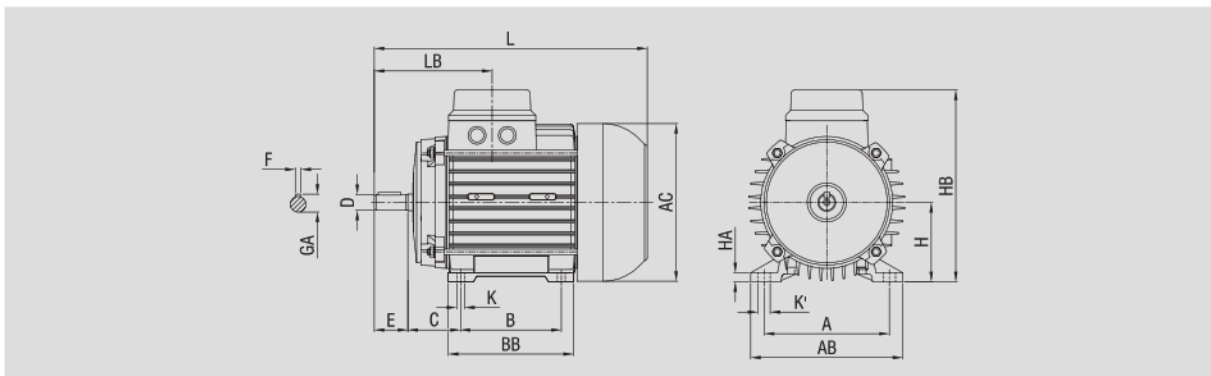


IEC Three Phase Squirrel-Cage Motors
Foot-Mounted Motor,IMB3

Dimensions



Frame Size	Housing		No. of Poles	Dimension drawing according to IEC																	
	Cast Aluminium	Cast Iron		H	B	A	C	K	K'	D	E	F	GA	HA	BB	AB	AC	HB	LB	L	
63	Yes	No	2-8	63	80	100	40	M6	12	11	23	4	12.5	7	101	120	124	155	91.5	208	
71				71	90	112	47		11	14	30	5	16	8	112	136	141	171.5	105	244	
80				100	M8	80	124.5	50	15.5	19	40	6	21.5	12	125	150	159	193	118	273	
90S						90			140	56	18	24	50	8	26.9	13	123	171	176	210	133
90L				125	148	331															
100				100	140	160	63	M10	21	28	60	30.9	12.5	174.5	194	194.5	235	152.5	403		
112				112	140	190	70						14	183	226.5	219.5	259	161	416		
132				132	178-210	216	89	M12	23	42	38	80	10	41.3	16	248	260	259	327	215	532
160				160	254	254	108														
180				180	239-277	279	121	M16	19	48	110	14	51.5	19	325	344	354	437	339	664	
200	200	305	318	133	16	58.8	27														352
225	225	286-311	357	149	27	60	140	18	63.8	34	357	437	438	546	407	832					

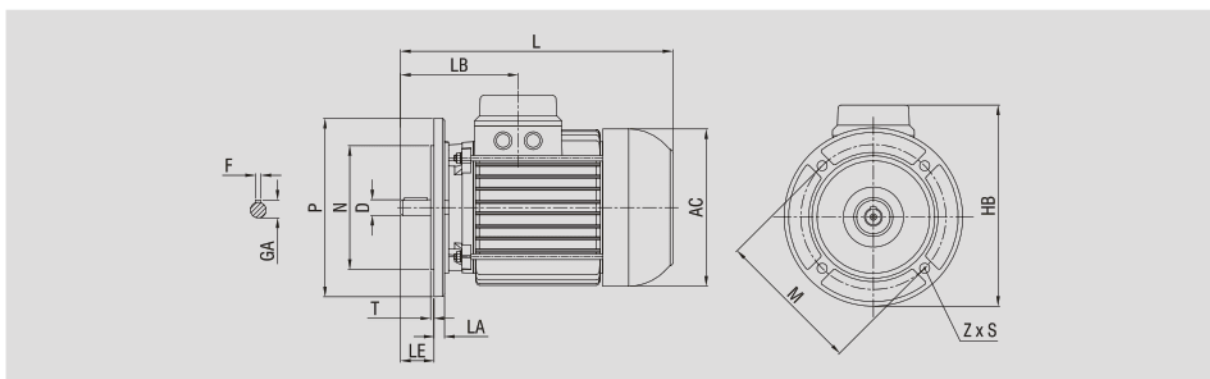


IEC Three Phase Squirrel-Cage Motors Flange-Mounted Motor, IMB5

Dimensions



Frame Size	Housing		No. of Poles	Dimension drawing according to IEC															
	Cast Aluminium	Cast Iron		P	N	M	LA	T	D	LE	F	GA	AC	HB	Z	S	LB	L	
63	Yes	No	2-8	140	95	115	10	3	11	23	4	12.6	124	160	4	M8	91.5	208	
71				160	110	130	9	3.5	14	30	5	16	141	180.5			105	244	
80				200	130	165	11		19	40	6	21.5	159	213		118	273		
90S				200				24	50	8	26.9	176	220	M10		133	306		
90L				250	180	215	12.5	4	28		60	30.9	194.5			257	152.5	403	
100				250			15		38	80	10	41.3	259	346		M12	161	416	
112				300	230	265	17	48	110	14	51.5	355	434	215			532		
132				Yes	Yes	5	350	250	300	19	42	12	45.1	313		404	M16	264	615
160							350	250	300	13	48		110	14		51.5		355	434
180				No	Yes	5	400	300	350	15	55	16	58.8	395		521	8	M16	307
200	400	300	350				15	60	140	18	63.8		438	546	407	832			
225	450	350	400				16	60	140	18	63.8		438	546	407	832			



IEC Three Phase Squirrel-Cage Motors Foot and Flange-Mounted Motor, IMB35

Dimensions



Frame Size	Housing		No. of Poles	Dimension drawing according to IEC																													
	Cast Aluminium	Cast Iron		P	N	M	LA	T	D	LE	F	GA	AC	HB	Z	S	LB	L	B	A	K	K'	HA	BB	AB								
63	Yes	No	2-8	140	95	115	10	3	11	23	4	12.6	124	160	4	M8	91.5	208	80	100	M6	12	7	101	120								
71				160	110	130	9	3.5	14	30	5	16	141	180.5			112	105	244	90		112	11	8	112	136							
80				200	130	165	11		19	40	6	21.5	159	213			124.5	15.5	12	125		150											
90S				200				24	50	8	26.9	176	220	140			18	13	123	171													
90L				250	180	215	12.5	4	28		60	30.9	194.5	257			152.5	403	140	160		12.5	175	194									
100				250						15			38	80			10	41.3	259	346		219.5	272	190	21	14	183	227					
112				Yes	Yes	2-8	300	230	265	17	5	42	110	12		45.1	313	404	M12	215	532	178-210	216	M10	21	16	248	260					
132							350	250	300	19										264	615	254	254						23	23	302	318	
160							350	250	300	13										339	664	239-277	279						M12	19	19	325	344
180							400	300	350	15										307	723	305	318						M16	26	27	352	377
200							400	300	350	15										407	832	286-311	357										
225							No	Yes		450										350	400	16	60						140	18	63.8	438	546

