

IEC Three Phase Squirrel-Cage Motors Standard Motors Frame Sizes 160 to 225

Technical Data

Cast iron housing. Basic version

IE1	Rated Output kW	Size	Type	Rated Speed rpm	Nominal Efficiency	Power Factor	Rated Current at 400v A	Rated Torque Nm	Starting Torque	Starting Current
									For Direct-on-line starting as multiple of the rated	
									Torque	Current
3000 rpm, 2-poles, 50 Hz, 400V										
11	160	51117	2940	89.5	0.88	20.00	36.0	2.1	6.5	
15		51157	2940	90.0	0.90	26.50	49.0	2.2	6.6	
18.5		51187	2940	91.0	0.91	32.00	60.0	2.4	7.0	
22	180	56225	2945	91.6	0.86	40.50	71.0	2.5	6.4	
30	200	59305	2950	91.8	0.88	54.00	97.0	2.3	6.5	
37		59375	2955	92.9	0.89	65.00	120.0	2.5	7.2	
45		62455	2960	93.6	0.88	79.00	145.0	2.4	6.7	
1500 rpm, 4-poles, 50 Hz, 400V										
11	160	52117	1460	88.5	0.84	21.50	72.0	2.2	6.2	
15		52157	1460	90.0	0.84	28.50	98.0	2.6	6.5	
18.5	180	57185	1465	90.4	0.84	35.00	120.0	2.4	6.7	
22		57225	1465	91.0	0.84	41.50	143.0	2.5	6.9	
30	200	60305	1465	91.6	0.85	56.00	195.0	2.5	6.7	
37	225	63375	1475	92.2	0.85	68.00	239.0	2.5	6.7	
45		63455	1475	93.1	0.86	81.00	290.0	2.7	7.2	
1000 rpm, 6-poles, 50 Hz, 400V										
7.5	160	53757	960	86.0	0.74	17.00	75.0	2.1	4.6	
11		53117	960	87.5	0.74	24.50	109.0	2.3	4.8	
15	180	58155	965	88.9	0.83	29.50	148.0	2.3	5.3	
18.5	200	61185	975	89.8	0.81	36.50	181.0	2.5	5.6	
22		61225	975	90.3	0.81	43.50	215.0	2.6	5.7	
30	225	64305	978	91.8	0.83	57.00	293.0	2.7	5.6	
750 rpm, 8-poles, 50 Hz, 400V										
4	160	53047	715	80.0	0.72	10.00	53.0	2.2	4.5	
5.5		53557	715	83.5	0.73	13.00	74.0	2.3	4.7	
7.5		53758	715	85.5	0.72	17.60	100.0	2.7	5.3	
11	180	58115	725	87.5	0.73	25.00	145.0	1.7	4.2	
15	200	61155	725	87.7	0.76	32.50	198.0	2.2	4.9	
18.5	225	64185	730	89.4	0.78	38.50	242.0	2.3	5.5	
22		64225	730	89.7	0.79	45.00	288.0	2.3	5.6	



ELECTROGEN

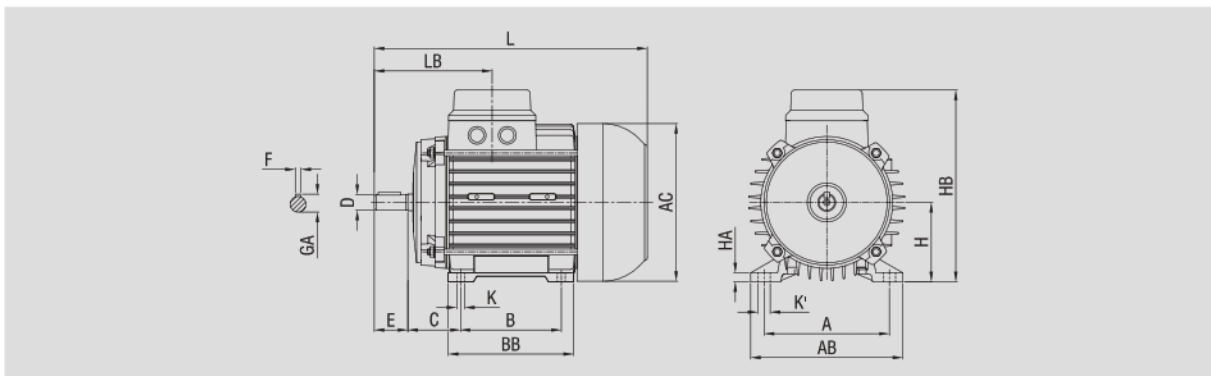


IEC Three Phase Squirrel-Cage Motors Foot-Mounted Motor,IMB3

Dimensions



Frame Size	Housing		No. of Poles	Dimension drawing according to IEC																			
	Cast Aluminium	Cast Iron		H	B	A	C	K	K'	D	E	F	GA	HA	BB	AB	AC	HB	LB	L			
63	Yes	No	2-8	63	80	100	40	M6	12	11	23	4	12.5	7	101	120	124	155	91.5	208			
71				71	90	112	47		11	14	30	5	16	8	112	136	141	171.5	105	244			
80				100	M8	80	124.5	50	15.5	19	40	6	21.5	12	125	150	159	193	118	273			
90S						90			140	56	18	24	50	8	26.9	13	123	171	176	210	133	306	
90L				125	148	331																	
100				100	140	160	63	M10	21	28	60	8	30.9	12.5	174.5	194	194.5	235	152.5	403			
112														14	183	226.5	219.5	259	161	416			
132														178-210	216	89	38	80	10	41.3	16	248	260
160				Yes	Yes	160	160	254	254	108	M12	23	42	110	12	45.1	23	302	318	156.5	393	264	615
180				180	239-277		279	121	19	48		14	51.5		19	325	344	354	437	339	664		
200	No	Yes	200	305	318		133	M16	26	55	140	16	58.8	27	352	377	395	495	307	723			
225			225	286-311	357		149		27	60		18	63.8	34	357	437	438	546	407	832			

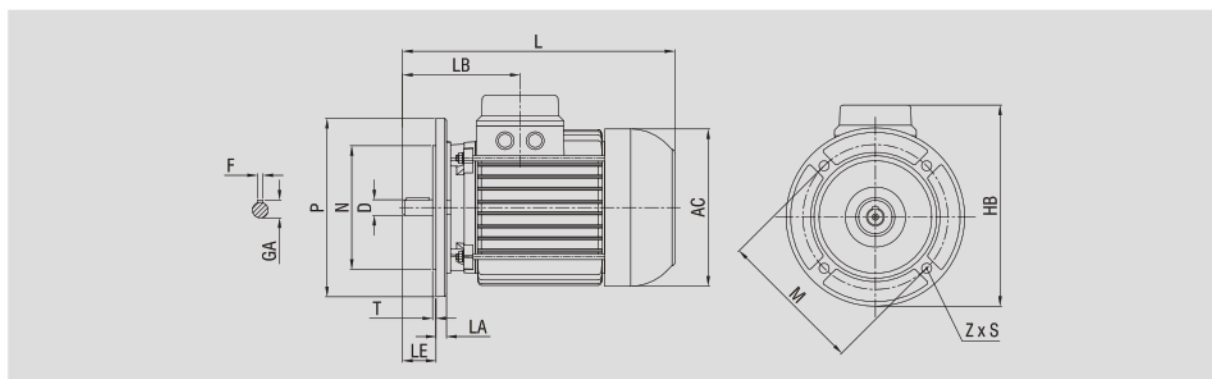


IEC Three Phase Squirrel-Cage Motors Flange-Mounted Motor, IMB5

Dimensions



Frame Size	Housing		No. of Poles	Dimension drawing according to IEC																	
	Cast Aluminium	Cast Iron		P	N	M	LA	T	D	LE	F	GA	AC	HB	Z	S	LB	L			
63	Yes	No	2-8	140	95	115	10	3	11	23	4	12.6	124	160	4	M8	91.5	208			
71				160	110	130	9	3.5	14	30	5	16	141	180.5			105	244			
80				200	130	165	11		19	40	6	21.5	159	213		M10	118	273			
90S				200				24	50	8	26.9	176	220	M12			133	306			
90L				250	180	215	12.5	4	28		60	30.9	194.5			257	152.5	403			
100				250			15		38	80	10	41.3	259	346		219.5	272	161	416		
112				300	230	265	17	5	48	110	14	51.5	355	434		M16	215	532			
132				350	250	300	19										42	12	45.1	313	404
160				Yes	Yes	2-8	350	250	300	13	5	48	110	14		51.5	355	434	M16	339	664
180				No	Yes		400	300	350	15		55	16	58.8		395	521	307		723	
200	400	300	350				15	60	140	18		63.8	438	546	407	832					
225	450	350	400				16	60	140	18		63.8	438	546	8	407	832				



IEC Three Phase Squirrel-Cage Motors Foot and Flange-Mounted Motor, IMB35

Dimensions



Frame Size	Housing		No. of Poles	Dimension drawing according to IEC																																					
	Cast Aluminium	Cast Iron		P	N	M	LA	T	D	LE	F	GA	AC	HB	Z	S	LB	L	B	A	K	K'	HA	BB	AB																
	63	Yes		No	2-8	140	95	115	10	3	11	23	4	12.6	124	160	4	M8	91.5	208	80	100	M6	12	7	101	120														
71	160		110			130	9	3.5	14	30	5	16	141	180.5	105	244			90	112	11	8		112	136																
80	200		130			165	11		19	40	6	21.5	159	213	118	273			100	124.5	15.5	12		125	150																
90S	200							24	50	8	26.9	176	220	133	306	140					M8	18		13	123	171															
90L	Yes		No			2-8	3	4	8		194.5	257	M10	152.5	403				140	160		M10		21	12.5	175	194														
100										250						180					215							12.5	28	60	30.9	194.5	257	161	416	140	190	14	183	227	
112										250						230					265							17	38	80	10	41.3	259	346	215	532	178-210	216	16	248	260
132										300						230					265							17	38	80	10	41.3	259	346	215	532	178-210	216	16	248	260
160	Yes		Yes			2-8	3	5	42	110	12	45.1	313	404	M12	264			615	254	254	M12		23	23	302	318														
180	350		250																									300	19	48	110	14	51.5	355	434	339	664	239-277	279	19	19
200	No	Yes	400	300	350												15	55					16					58.8	395	521	307	723	305	318	26	27	352	377			
225	450	350	400	16	60												140	18					63.8					438	546	407	832	286-311	357	27	34	357	437				

