

IEC Three Phase Squirrel-Cage Motors Standard Motors Frame Sizes 160 to 225

Technical Data

Cast iron housing. Basic version

IE1	Rated Output kW	Size	Type	Rated Speed rpm	Nominal Efficiency	Power Factor	Rated Current at 400v A	Rated Torque Nm	Starting Torque	Starting Current
									For Direct-on-line starting as multiple of the rated	
									Torque	Current
3000 rpm, 2-poles, 50 Hz, 400V										
11		160	51117	2940	89.5	0.88	20.00	36.0	2.1	6.5
15		160	51157	2940	90.0	0.90	26.50	49.0	2.2	6.6
18.5		160	51187	2940	91.0	0.91	32.00	60.0	2.4	7.0
22		180	56225	2945	91.6	0.86	40.50	71.0	2.5	6.4
30		200	59305	2950	91.8	0.88	54.00	97.0	2.3	6.5
37		200	59375	2955	92.9	0.89	65.00	120.0	2.5	7.2
45		225	62455	2960	93.6	0.88	79.00	145.0	2.4	6.7
1500 rpm, 4-poles, 50 Hz, 400V										
11		160	52117	1460	88.5	0.84	21.50	72.0	2.2	6.2
15		160	52157	1460	90.0	0.84	28.50	98.0	2.6	6.5
18.5		180	57185	1465	90.4	0.84	35.00	120.0	2.4	6.7
22		180	57225	1465	91.0	0.84	41.50	143.0	2.5	6.9
30		200	60305	1465	91.6	0.85	56.00	195.0	2.5	6.7
37		225	63375	1475	92.2	0.85	68.00	239.0	2.5	6.7
45		225	63455	1475	93.1	0.86	81.00	290.0	2.7	7.2
1000 rpm, 6-poles, 50 Hz, 400V										
7.5		160	53757	960	86.0	0.74	17.00	75.0	2.1	4.6
11		160	53117	960	87.5	0.74	24.50	109.0	2.3	4.8
15		180	58155	965	88.9	0.83	29.50	148.0	2.3	5.3
18.5		200	61185	975	89.8	0.81	36.50	181.0	2.5	5.6
22		200	61225	975	90.3	0.81	43.50	215.0	2.6	5.7
30		225	64305	978	91.8	0.83	57.00	293.0	2.7	5.6
750 rpm, 8-poles, 50 Hz, 400V										
4		160	53047	715	80.0	0.72	10.00	53.0	2.2	4.5
5.5		160	53557	715	83.5	0.73	13.00	74.0	2.3	4.7
7.5		160	53758	715	85.5	0.72	17.60	100.0	2.7	5.3
11		180	58115	725	87.5	0.73	25.00	145.0	1.7	4.2
15		200	61155	725	87.7	0.76	32.50	198.0	2.2	4.9
18.5		225	64185	730	89.4	0.78	38.50	242.0	2.3	5.5
22		225	64225	730	89.7	0.79	45.00	288.0	2.3	5.6

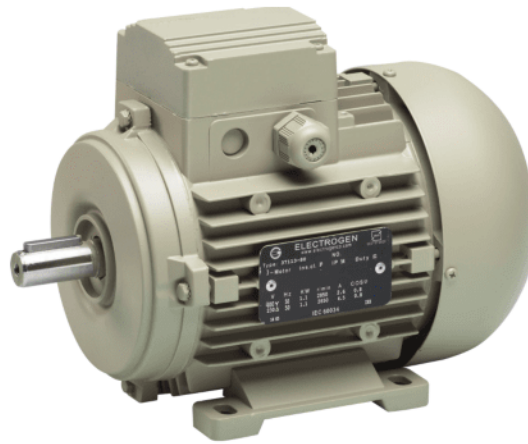


ELECTROGEN

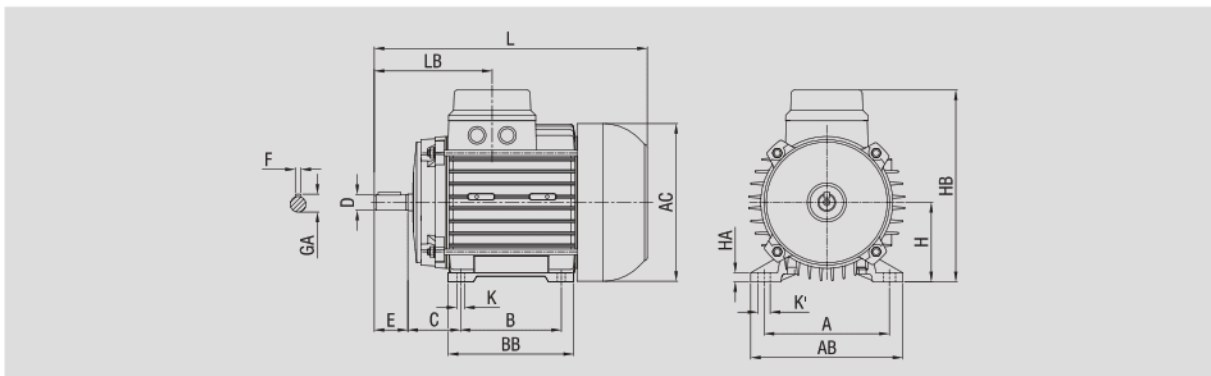


IEC Three Phase Squirrel-Cage Motors Foot-Mounted Motor,IMB3

Dimensions



Frame Size	Housing		No. of Poles	Dimension drawing according to IEC																										
	Cast Aluminium	Cast Iron		H	B	A	C	K	K'	D	E	F	GA	HA	BB	AB	AC	HB	LB	L										
63	Yes	No	2-8	63	80	100	40	M6	12	11	23	4	12.5	7	101	120	124	155	91.5	208										
71				71	90	112	47		11	14	30	5	16	8	112	136	141	171.5	105	244										
80				100	M8	80	124.5	50	15.5	19	40	6	21.5	12	125	150	159	193	118	273										
90S						90															140	56	18	24	50	26.9	13	123	171	176
90L				Yes	No	2-8	90	125	140	56	M10	21	28	60	8	30.9	14	183	226.5	219.5	259	161	416							
100							100	140	160	63														12.5	174.5	194	194.5	235	152.5	403
112							112	140	190	70														14	183	226.5	219.5	259	161	416
132							132	178-210	216	89														38	80	10	41.3	16	248	260
160				Yes	Yes	2-8	160	254	254	108	M12	23	42	110	12	45.1	23	302	318	156.5	393	264	615							
180				180	239-277		279	121	19	48		14	51.5		19	325	344	354	437	339	664									
200	No	Yes	200	305	318		133	M16	26	55	140	16	58.8	27	352	377	395	495	307	723										
225			225	286-311	357		149		27	60		18	63.8	34	357	437	438	546	407	832										

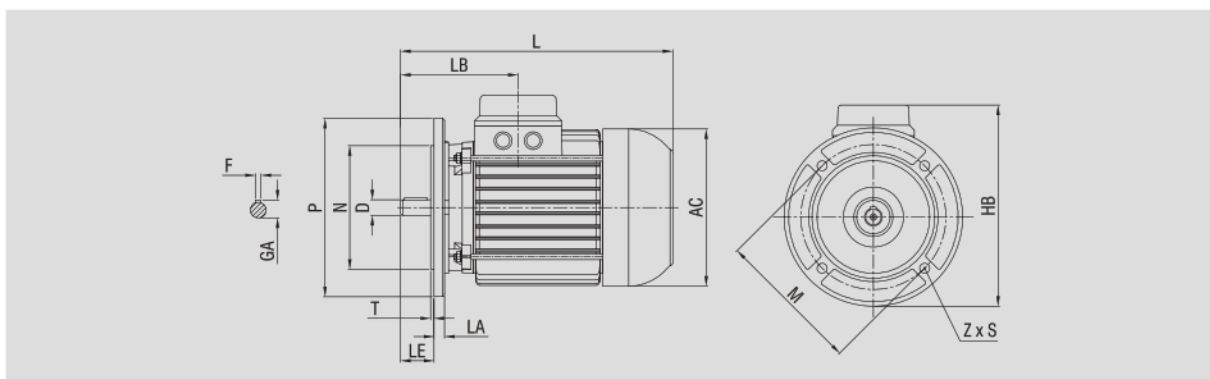


IEC Three Phase Squirrel-Cage Motors Flange-Mounted Motor, IMB5

Dimensions



Frame Size	Housing		No. of Poles	Dimension drawing according to IEC																	
	Cast Aluminium	Cast Iron		P	N	M	LA	T	D	LE	F	GA	AC	HB	Z	S	LB	L			
63	Yes	No	2-8	140	95	115	10	3	11	23	4	12.6	124	160	4	M8	91.5	208			
71				160	110	130	9	3.5	14	30	5	16	141	180.5			105	244			
80				200	130	165	11		19	40	6	21.5	159	213		M10	118	273			
90S				200				24	50	26.9	176	220	133	306							
90L				Yes	No	2-8	250	180	215	12.5	4	28	60	8		194.5	257	M12	152.5	403	
100							15			38		80				10	41.3		259	346	161
112							300	230	265	17	48	110	14	51.5		355	434		215	532	
132							350	250	300	13	55	16	58.8	395		521	264		615		
160				Yes	Yes	2-8	350	250	300	19	5	42	110	14		45.1	313	404	M16	339	664
180				No	Yes							48				16	58.8	395		521	307
200	55	16	58.8									395			521	307	723				
225	60	140	18									63.8			438	546	8	407		832	



IEC Three Phase Squirrel-Cage Motors Foot and Flange-Mounted Motor, IMB35

Dimensions



Frame Size	Housing		No. of Poles	Dimension drawing according to IEC																										
	Cast Aluminium	Cast Iron		P	N	M	LA	T	D	LE	F	GA	AC	HB	Z	S	LB	L	B	A	K	K'	HA	BB	AB					
63	Yes	No	2-8	140	95	115	10	3	11	23	4	12.6	124	160	4	M8	91.5	208	80	100	M6	12	7	101	120					
71				160	110	130	9	3.5	14	30	5	16	141	180.5			112	105	244	90		112	11	8	112	136				
80				200	130	165	11		19	40	6	21.5	159	213		210	M10	118	273	100	124.5	M8	15.5	12	125	150				
90S				200				24	50	8	26.9	176	220	133		306		140	18		13		123	171						
90L				Yes	Yes	2-8	250	180	215		12.5	4	28	60		30.9	194.5	257	M12	152.5	403	140	160	M10	21	12.5	175	194		
100							250			15	38		80	10			41.3	259		346	215	532	178-210			216	16	248	260	
112							No	Yes	2-8	300	230	265	17	5		42	110	14	313	404	M16	264	615	254	254	M12	23	23	302	318
160										350	19	48	14			51.5			355	434		339	664	239-277	279		19	19	325	344
180				No	Yes	2-8	400	300	350	15	5	55	180	16		395	521	M16	307	723	305	318	M16	26	27	352	377			
200							450	350	16	60		140				18	63.8		438	546	407	832		286-311	357	27	34	357	437	
225	450	350	16				60	140	18	63.8		438			546	407	832		286-311	357	27	34		357	437					

