

## IEC Three Phase Squirrel-Cage Motors Standard Motors Frame Sizes 160 to 225

### Technical Data

Cast iron housing. Basic version

IE1	Rated Output kW	Size	Type	Rated Speed rpm	Nominal Efficiency	Power Factor	Rated Current at 400v A	Rated Torque Nm	Starting Torque	Starting Current
									For Direct-on-line starting as multiple of the rated	
									Torque	Current
3000 rpm, 2-poles, 50 Hz, 400V										
11	160	51117	2940	89.5	0.88	20.00	36.0	2.1	6.5	
15		51157	2940	90.0	0.90	26.50	49.0	2.2	6.6	
18.5		51187	2940	91.0	0.91	32.00	60.0	2.4	7.0	
22	180	56225	2945	91.6	0.86	40.50	71.0	2.5	6.4	
30	200	59305	2950	91.8	0.88	54.00	97.0	2.3	6.5	
37		59375	2955	92.9	0.89	65.00	120.0	2.5	7.2	
45		62455	2960	93.6	0.88	79.00	145.0	2.4	6.7	
1500 rpm, 4-poles, 50 Hz, 400V										
11	160	52117	1460	88.5	0.84	21.50	72.0	2.2	6.2	
15		52157	1460	90.0	0.84	28.50	98.0	2.6	6.5	
18.5	180	57185	1465	90.4	0.84	35.00	120.0	2.4	6.7	
22		57225	1465	91.0	0.84	41.50	143.0	2.5	6.9	
30	200	60305	1465	91.6	0.85	56.00	195.0	2.5	6.7	
37	225	63375	1475	92.2	0.85	68.00	239.0	2.5	6.7	
45		63455	1475	93.1	0.86	81.00	290.0	2.7	7.2	
1000 rpm, 6-poles, 50 Hz, 400V										
7.5	160	53757	960	86.0	0.74	17.00	75.0	2.1	4.6	
11		53117	960	87.5	0.74	24.50	109.0	2.3	4.8	
15	180	58155	965	88.9	0.83	29.50	148.0	2.3	5.3	
18.5	200	61185	975	89.8	0.81	36.50	181.0	2.5	5.6	
22		61225	975	90.3	0.81	43.50	215.0	2.6	5.7	
30	225	64305	978	91.8	0.83	57.00	293.0	2.7	5.6	
750 rpm, 8-poles, 50 Hz, 400V										
4	160	53047	715	80.0	0.72	10.00	53.0	2.2	4.5	
5.5		53557	715	83.5	0.73	13.00	74.0	2.3	4.7	
7.5		53758	715	85.5	0.72	17.60	100.0	2.7	5.3	
11	180	58115	725	87.5	0.73	25.00	145.0	1.7	4.2	
15	200	61155	725	87.7	0.76	32.50	198.0	2.2	4.9	
18.5	225	64185	730	89.4	0.78	38.50	242.0	2.3	5.5	
22		64225	730	89.7	0.79	45.00	288.0	2.3	5.6	





ELECTROGEN

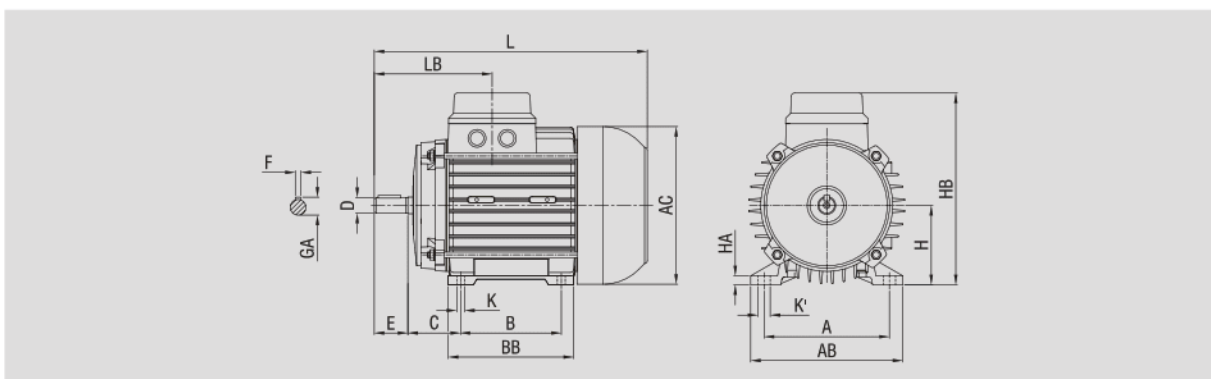


IEC Three Phase Squirrel-Cage Motors  
Foot-Mounted Motor,IMB3

Dimensions



Frame Size	Housing		No. of Poles	Dimension drawing according to IEC																			
	Cast Aluminium	Cast Iron		H	B	A	C	K	K'	D	E	F	GA	HA	BB	AB	AC	HB	LB	L			
63	Yes	No	2-8	63	80	100	40	M6	12	11	23	4	12.5	7	101	120	124	155	91.5	208			
71				71	90	112	47		11	14	30	5	16	8	112	136	141	171.5	105	244			
80				100	124.5	50	M8	15.5	19	40	6	21.5	12	125	150	159	193	118	273				
90S																				90	140	56	18
90L				Yes	No	2-8	125	140	160	63	M10	21	28	60	8	30.9	148	171	176	210	133	331	
100							12.5										174.5	194	194.5	235	152.5	403	
112							14	183	226.5	219.5	259	161	416										
132							178-210	216	89	38	80	10	41.3	16	248	260	259	327	215	532			
160				Yes	Yes	2-8	160	254	254	108	M12	23	42	110	12	45.1	23	302	318	156.5	393	264	615
180				239-277	279		121	19	48	14		51.5	19		325	344	354	437	339	664			
200	No	Yes	2-8	200	305	318	133	M16	26	55	140	16	58.8	27	352	377	395	495	307	723			
225				286-311	357	149	27		60	18		63.8	34	357	437	438	546	407	832				

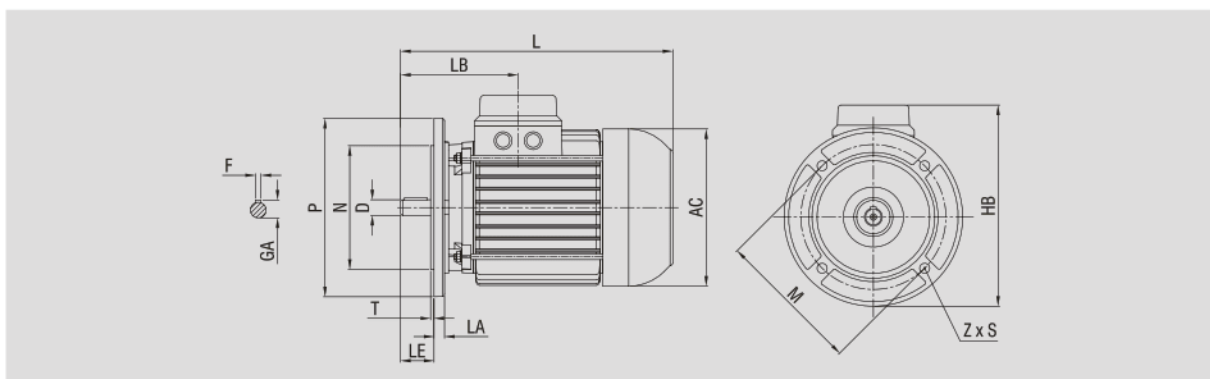


## IEC Three Phase Squirrel-Cage Motors Flange-Mounted Motor, IMB5

### Dimensions



Frame Size	Housing		No. of Poles	Dimension drawing according to IEC																
	Cast Aluminium	Cast Iron		P	N	M	LA	T	D	LE	F	GA	AC	HB	Z	S	LB	L		
63	Yes	No	2-8	140	95	115	10	3	11	23	4	12.6	124	160	4	M8	91.5	208		
71				160	110	130	9	3.5	14	30	5	16	141	180.5			105	244		
80				200	130	165	11		4	19	40	6	21.5	159		213	118	273		
90S				200				24		50	8	26.9	176	220		M10	133	306		
90L				250	180	215	12.5	28	60	30.9		194.5	257	M12			152.5	403		
100				250			15				219.5	272	161			416				
112				300	230	265	17	38	80	10	41.3	259	346	215		532				
132				Yes	Yes	5	350	250	300	19	42	110	12	45.1		313	404	M16	264	615
160							48	14	51.5	355	434		339	664						
180				No	Yes	5	400	300	350	15	55	140	16	58.8		395	521	8	307	723
200	450	350	400				16	60	18	63.8	438		546	407	832					
225																				



## IEC Three Phase Squirrel-Cage Motors Foot and Flange-Mounted Motor, IMB35

### Dimensions



Frame Size	Housing		No. of Poles	Dimension drawing according to IEC																								
	Cast Aluminium	Cast Iron		P	N	M	LA	T	D	LE	F	GA	AC	HB	Z	S	LB	L	B	A	K	K'	HA	BB	AB			
63	Yes	No	2-8	140	95	115	10	3	11	23	4	12.6	124	160	4	M8	91.5	208	80	100	M6	12	7	101	120			
71				160	110	130	9	3.5	14	30	5	16	141	180.5			105	244	90	112		11	8	112	136			
80				200	130	165	11		19	40	6	21.5	159	213			118	273	100	124.5		15.5	12	125	150			
90S				200				24	50	8	26.9	176	220	133			306	140		M8		18	13	123	171			
90L				Yes	Yes	250	180	215	12.5		4	28	60	30.9			194.5		257			152.5	403	140	160	M10	21	12.5
100						250			15	38		80	10	41.3			259	346	215	532		178-210	216	16	248			260
112				Yes	Yes	2-8	300	230	265	17	5	42	110	12			45.1	313	404	M12		23	23	302	318			
132							350	250	300	19		48		14			51.5	355	434							264	615	254
160				No	Yes	2-8	5	400	300	350	15	55	180	16			58.8	395	521	M16		26	27	352	377			
180								450	350	400	16	60		140			18	63.8	438							546	307	723
200	450	350	400					16	60	140	18	63.8		438	546	407	832	286-311	357		27					34	357	437
225	No	Yes	2-8	5	450	350	400	16	60	140	18	63.8	438	546	M16	27	34	357	437									
225					450	350	400	16	60	140	18	63.8	438	546						407	832	286-311	357	27	34	357	437	

