

IEC Three Phase Squirrel-Cage Motors Standard Motors Frame Sizes 160 to 225

Technical Data

Cast iron housing. Basic version

IE1	Rated Output kW	Size	Type	Rated Speed rpm	Nominal Efficiency	Power Factor	Rated Current at 400v A	Rated Torque Nm	Starting Torque	Starting Current
									For Direct-on-line starting as multiple of the rated	
									Torque	Current
3000 rpm, 2-poles, 50 Hz, 400V										
11	160	51117	2940	89.5	0.88	20.00	36.0	2.1	6.5	
15		51157	2940	90.0	0.90	26.50	49.0	2.2	6.6	
18.5		51187	2940	91.0	0.91	32.00	60.0	2.4	7.0	
22	180	56225	2945	91.6	0.86	40.50	71.0	2.5	6.4	
30	200	59305	2950	91.8	0.88	54.00	97.0	2.3	6.5	
37		59375	2955	92.9	0.89	65.00	120.0	2.5	7.2	
45		62455	2960	93.6	0.88	79.00	145.0	2.4	6.7	
1500 rpm, 4-poles, 50 Hz, 400V										
11	160	52117	1460	88.5	0.84	21.50	72.0	2.2	6.2	
15		52157	1460	90.0	0.84	28.50	98.0	2.6	6.5	
18.5	180	57185	1465	90.4	0.84	35.00	120.0	2.4	6.7	
22		57225	1465	91.0	0.84	41.50	143.0	2.5	6.9	
30	200	60305	1465	91.6	0.85	56.00	195.0	2.5	6.7	
37	225	63375	1475	92.2	0.85	68.00	239.0	2.5	6.7	
45		63455	1475	93.1	0.86	81.00	290.0	2.7	7.2	
1000 rpm, 6-poles, 50 Hz, 400V										
7.5	160	53757	960	86.0	0.74	17.00	75.0	2.1	4.6	
11		53117	960	87.5	0.74	24.50	109.0	2.3	4.8	
15	180	58155	965	88.9	0.83	29.50	148.0	2.3	5.3	
18.5	200	61185	975	89.8	0.81	36.50	181.0	2.5	5.6	
22		61225	975	90.3	0.81	43.50	215.0	2.6	5.7	
30	225	64305	978	91.8	0.83	57.00	293.0	2.7	5.6	
750 rpm, 8-poles, 50 Hz, 400V										
4	160	53047	715	80.0	0.72	10.00	53.0	2.2	4.5	
5.5		53557	715	83.5	0.73	13.00	74.0	2.3	4.7	
7.5		53758	715	85.5	0.72	17.60	100.0	2.7	5.3	
11	180	58115	725	87.5	0.73	25.00	145.0	1.7	4.2	
15	200	61155	725	87.7	0.76	32.50	198.0	2.2	4.9	
18.5	225	64185	730	89.4	0.78	38.50	242.0	2.3	5.5	
22		64225	730	89.7	0.79	45.00	288.0	2.3	5.6	

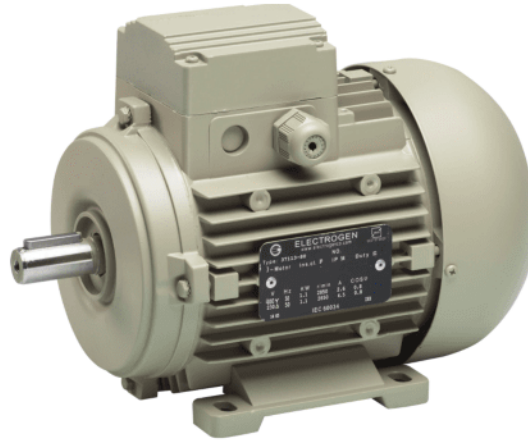


ELECTROGEN

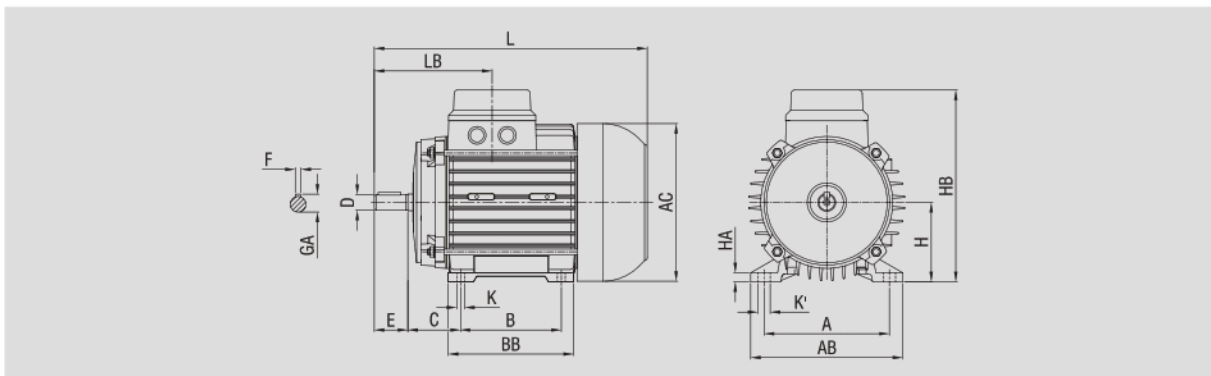


IEC Three Phase Squirrel-Cage Motors
Foot-Mounted Motor,IMB3

Dimensions



Frame Size	Housing		No. of Poles	Dimension drawing according to IEC																		
	Cast Aluminium	Cast Iron		H	B	A	C	K	K'	D	E	F	GA	HA	BB	AB	AC	HB	LB	L		
63	Yes	No	2-8	63	80	100	40	M6	12	11	23	4	12.5	7	101	120	124	155	91.5	208		
71				71	90	112	47		11	14	30	5	16	8	112	136	141	171.5	105	244		
80				100	50	M8	80	15.5	19	40	6	21.5	12	125	150	159	193	118	273			
90S							90	18	24	50	26.9	13	123	171	176	210	133	306				
90L				125	56	M8	90	18	24	50	26.9	13	148	171	176	210	133	331				
100							100	140	160	63	M10	21	28	60	8	12.5	174.5	194	194.5	235	152.5	403
112							112	140	190	70						30.9	14	183	226.5	219.5	259	161
132				178-210	216	89	M10	132	38	80	10	41.3	16	248	260	259	327	215	532			
160								160	254	254	108	M12	23	42	12	45.1	23	302	318	156.5	393	264
180				180	239-277	279	121	19	48	110	14											
200	No	Yes	M12	200	26	55	16	58.8	27	352	377	395	495	307	723							
225				225	286-311	357	149	M16	27	60	140	18	63.8	34	357	437	438	546	407	832		

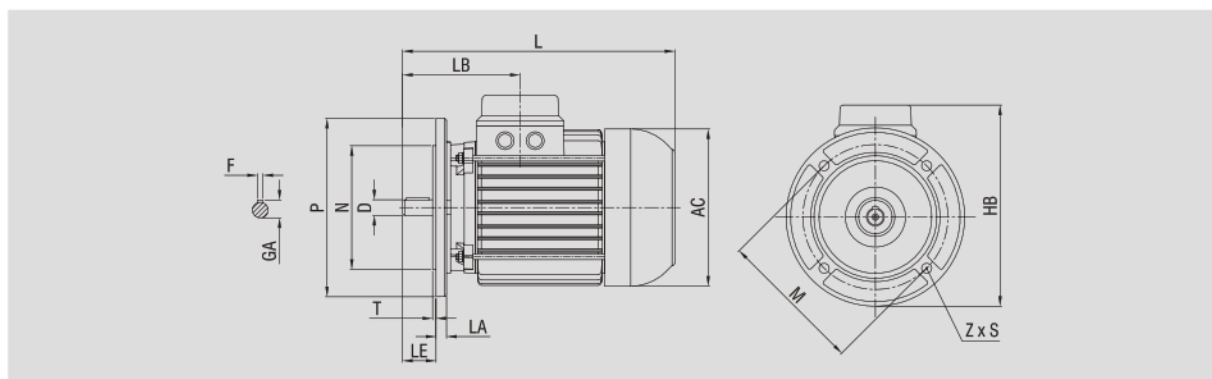


IEC Three Phase Squirrel-Cage Motors Flange-Mounted Motor, IMB5

Dimensions



Frame Size	Housing		No. of Poles	Dimension drawing according to IEC																						
	Cast Aluminium	Cast Iron		P	N	M	LA	T	D	LE	F	GA	AC	HB	Z	S	LB	L								
63	Yes	No	2-8	140	95	115	10	3	11	23	4	12.6	124	160	4	M8	91.5	208								
71				160	110	130	9	3.5	14	30	5	16	141	180.5			105	244								
80				200	130	165	11		19	40	6	21.5	159	213		M10	118	273								
90S				200				24	50	8	26.9	176	220	M12			133	306								
90L				250	180	215	12.5	4	28		60	30.9	194.5			257	152.5	403								
100				250			15		38	80	10	41.3	259	346		219.5	272	161	416							
112				Yes	Yes	5	300	230	265	17	48	110	14	51.5		355	434	M16	215	532						
132							350	250	300	13									12	45.1	313	404	264	615		
160				No	Yes	5	400	300	350	15	55	16	58.8	395		521	8	M16	339	664						
180																			450	350	400	16	60	140	18	63.8
200	450	350	400												16				60	140	18	63.8	438	546	407	832
225																										



IEC Three Phase Squirrel-Cage Motors Foot and Flange-Mounted Motor, IMB35

Dimensions



Frame Size	Housing		No. of Poles	Dimension drawing according to IEC																										
	Cast Aluminium	Cast Iron		P	N	M	LA	T	D	LE	F	GA	AC	HB	Z	S	LB	L	B	A	K	K'	HA	BB	AB					
63	Yes	No	2-8	140	95	115	10	3	11	23	4	12.6	124	160	4	M8	91.5	208	80	100	M6	12	7	101	120					
71				160	110	130	9	3.5	14	30	5	16	141	180.5			105	244	90	112		11	8	112	136					
80				200	130	165	11		19	40	6	21.5	159	213			118	273	100	124.5		M8	15.5	12	125	150				
90S				200				24	50	8	26.9	176	220	133			306	140					M8	18	13	123	171			
90L				Yes	Yes	250	180	215	12.5		4	28	60	30.9			194.5		257	152.5		403		140	160	M10	21	12.5	175	194
100						250			15	38		80	10	41.3			259	346	161	416		140	190	14	183			227		
112				Yes	Yes	2-8	300	230	265	17	5	42	110	12			45.1	313	404	M12		215	532	178-210	216	M12	23	23	302	318
132							350	250	300	19		48		14			51.5	355	434			264	615	254	254		19	19	325	344
160				No	Yes	2-8	5	400	300	350	15	55	140	16			58.8	395	521	M16		339	664	239-277	279	M16	26	27	352	377
180								450	350	400	16	60		18			63.8	438	546			407	832	286-311	357		27	34	357	437
200	450	350	400					16	60	18	63.8	438		546	407	832	286-311	357	27		34	357	437							
225																														

