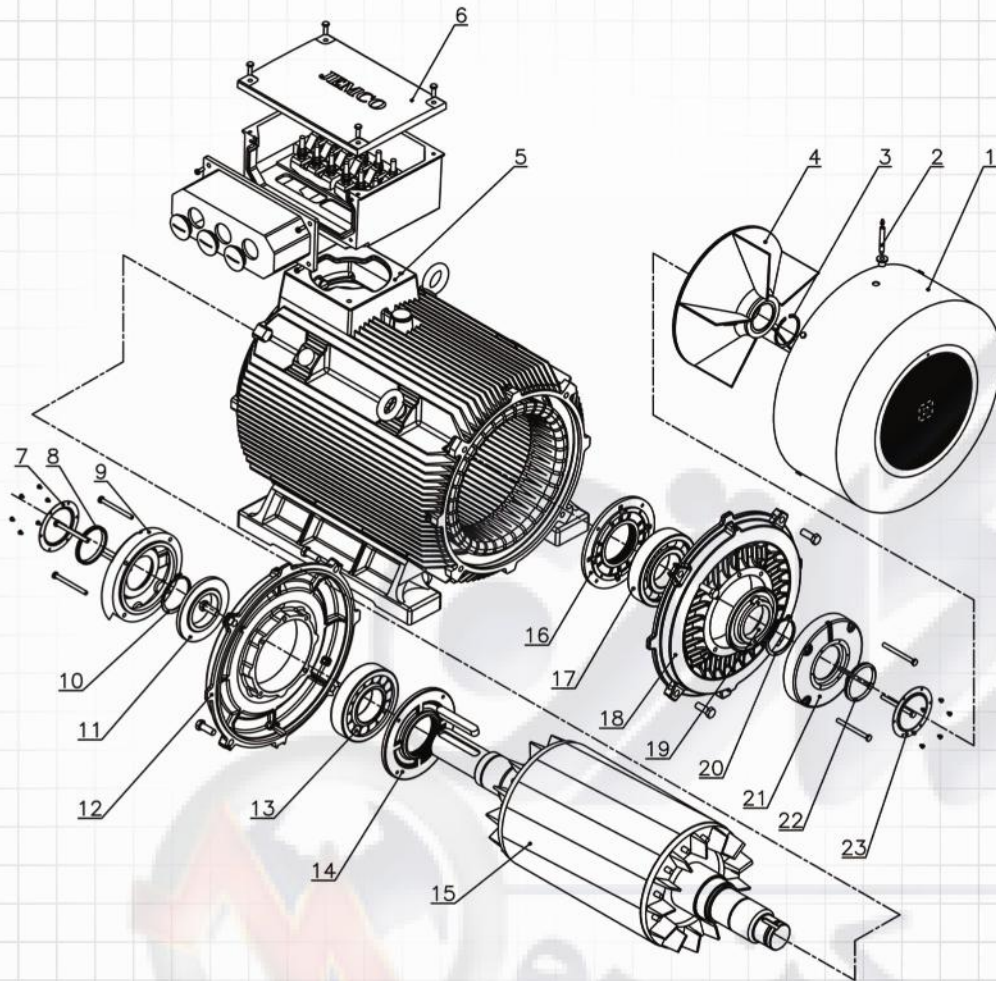


TYPICAL EXPLODED VIEW OF CAST IRON MOTORS.



JEMCO
PRODUCER & PROVIDER
OF ELECTRICAL MOTORS
0.12 KW UP TO 10 MW

Jovain Electrical Machines Industries Co.(JEMCO)

- | | |
|--|-----------------------------------|
| 1 - Outside Fan Housing | 13 - Ball Bearing |
| 2 - Inlet Lubricating Channel | 14 - Bearing Cover inside (front) |
| 3 - Retaining Ring | 15 - Rotor |
| 4 - Fan | 16 - Bearing Cover Inside (back) |
| 5 - Stator Frame with Core and Winding | 17 - Ball Bearing |
| 6 - Terminal Box | 18 - End Shield (back) |
| 7 - Cover Plate (front) | 19 - Bearing Grease Cover (back) |
| 8 - V-ring | 20 - Retaining Ring |
| 9 - Bearing Cover Outside (front) | 21 - Bearing Cover outside (back) |
| 10 - Retaining Ring | 22 - V- ring |
| 11 - Bearing Grease Cover (back) | 23 - Cover Plate (back) |
| 12 - End Shield (front) | |

TYPE YD - LOW VOLTAGE (380V) SQUIRREL CAGE MOTORS

TECHNICAL DATA

Degree of Protection: IP 55, 50 Hz, IM B3, Insulation Class: F/B, Temp.rise: B, S.F.: 1/1

| Output Kw | Motor Type | Frame Size mm | Speed r/min | Efficiency Full Load 100% | Power factor Full Load 100% | Current | | Torque | | | Rotor Inertia kgm ² | Motor Weight kg |
|----------------------|------------|------------------|----------------|------------------------------|--------------------------------|---------------------|----------------------------------|----------------------|----------------------------------|------------------------------------|-----------------------------------|--------------------|
| | | | | | | I _N A | I _s I _N | T _N Nm | T _s T _N | T _{MAX} T _N | | |
| 3000 rev/min - 2pole | | | | | | | | | | | | |
| 5.5 | YD1131-2A0 | 132S | 2930 | 86.5 | 0.89 | 10.8 | 7 | 18 | 2.2 | 2.7 | 0.017 | 65 |
| 7.5 | YD1132-2A0 | 132S | 2930 | 87 | 0.9 | 14.6 | 7 | 24 | 2.4 | 2.7 | 0.020 | 71 |
| 11 | YD1163-2A0 | 160M | 2947 | 89 | 0.87 | 21.3 | 6.5 | 35.8 | 2.1 | 2.9 | 0.038 | 117 |
| 15 | YD1162-2A0 | 160M | 2932 | 89.7 | 0.91 | 29 | 7 | 49 | 2.2 | 2.8 | 0.040 | 115 |
| 18.5 | YD1161-2A0 | 160L | 2936 | 89.5 | 0.89 | 36 | 7 | 60 | 2.2 | 2.8 | 0.050 | 142 |
| 22 | YD1181-2A0 | 180M | 2940 | 89 | 0.89 | 43 | 7 | 71 | 2.2 | 2.8 | 0.070 | 171 |
| 30 | YD1201-2A0 | 200L1 | 2958 | 91 | 0.88 | 56 | 7 | 97 | 2.2 | 2.8 | 0.135 | 229 |
| 37 | YD1202-2A0 | 200L2 | 2956 | 91.5 | 0.87 | 70 | 7 | 120 | 2.2 | 2.8 | 0.152 | 223 |
| 45 | YD1221-2A0 | 225M | 2968 | 91.5 | 0.89 | 84 | 7 | 145 | 2.2 | 2.8 | 0.229 | 304 |
| 55 | YD1251-2A0 | 250M | 2970 | 92.2 | 0.88 | 103 | 7 | 177 | 2.2 | 2.8 | 0.442 | 379 |
| 75 | YD1281-2A0 | 280S | 2980 | 92 | 0.9 | 141 | 7 | 241 | 2.2 | 2.8 | 0.769 | 480 |
| 90 | YD1282-2A0 | 280M | 2981 | 92.5 | 0.91 | 166 | 7 | 288 | 2.2 | 2.8 | 0.956 | 600 |
| 1500 rev/min - 4pole | | | | | | | | | | | | |
| 5.5 | YD1131-4A0 | 132S | 1455 | 87 | 0.82 | 11.5 | 6.3 | 35.5 | 2.2 | 2.7 | 0.020 | 68 |
| 7.5 | YD1132-4A0 | 132M | 1451 | 87.8 | 0.83 | 15.6 | 6.9 | 49 | 2.6 | 2.6 | 0.025 | 76 |
| 11 | YD1162-4A0 | 160M | 1460 | 88.1 | 0.86 | 22.6 | 6.4 | 72 | 2 | 2.7 | 0.050 | 103 |
| 15 | YD1161-4A0 | 160L | 1454 | 89.5 | 0.85 | 30 | 7 | 99 | 2.2 | 2.8 | 0.052 | 144 |
| 18.5 | YD1181-4A0 | 180M | 1470 | 91 | 0.86 | 35 | 7 | 120 | 2.2 | 2.8 | 0.124 | 172 |
| 22 | YD1182-4A0 | 180L | 1470 | 91.5 | 0.86 | 42 | 7 | 143 | 2.2 | 2.8 | 0.138 | 182 |
| 30 | YD1201-4A0 | 200L | 1475 | 92.5 | 0.87 | 57 | 7 | 195 | 2.2 | 2.8 | 0.227 | 248 |
| 37 | YD1221-4A0 | 225S | 1473 | 92 | 0.87 | 69 | 7 | 238 | 2.2 | 2.8 | 0.457 | 315 |
| 45 | YD1222-4A0 | 225M | 1475 | 92.5 | 0.9 | 84 | 7 | 290 | 2.2 | 2.8 | 0.540 | 340 |
| 55 | YD1251-4A0 | 250M | 1481 | 93 | 0.88 | 102 | 7 | 355 | 2.2 | 2.8 | 0.821 | 396 |
| 75 | YD1281-4A0 | 280S | 1487 | 93.5 | 0.88 | 137 | 7 | 482 | 2.2 | 2.8 | 1.352 | 529 |
| 90 | YD1282-4A0 | 280M | 1489 | 94 | 0.89 | 163 | 7 | 577 | 2.2 | 2.8 | 1.522 | 650 |
| 1000 rev/min - 6pole | | | | | | | | | | | | |
| 3 | YD1131-6A0 | 132S | 950 | 80 | 0.77 | 7.4 | 5.8 | 30 | 2.2 | 2.3 | 0.017 | 62 |
| 4 | YD1132-6A0 | 132M | 950 | 82 | 0.77 | 9.6 | 5.8 | 40 | 2.2 | 2.5 | 0.021 | 70 |
| 5.5 | YD1133-6A0 | 132M | 950 | 83 | 0.79 | 12.8 | 6 | 55 | 2.1 | 2.4 | 0.028 | 81 |
| 7.5 | YD1161-6A0 | 160M | 960 | 85.8 | 0.74 | 18 | 4.8 | 74.6 | 2 | 2.5 | 0.050 | 127 |
| 11 | YD1162-6A0 | 160L | 960 | 87.1 | 0.74 | 26 | 5 | 109 | 2.1 | 2.6 | 0.070 | 150 |
| 15 | YD1181-6A0 | 180L | 970 | 90 | 0.81 | 32 | 7 | 148 | 2.2 | 2.8 | 0.188 | 180 |
| 18.5 | YD1201-6A0 | 200L1 | 978 | 90.7 | 0.86 | 37 | 7 | 181 | 2.2 | 2.8 | 0.270 | 238 |
| 22 | YD1202-6A0 | 200L2 | 982 | 91 | 0.81 | 44 | 7 | 215 | 2.2 | 2.8 | 0.296 | 235 |
| 30 | YD1221-6A0 | 225M | 983 | 91.3 | 0.84 | 59 | 7 | 291 | 2.2 | 2.8 | 0.543 | 313 |
| 37 | YD1251-6A0 | 250M | 991 | 91.5 | 0.85 | 70 | 7 | 362 | 2.2 | 2.8 | 0.925 | 412 |
| 45 | YD1281-6A0 | 280S | 998 | 92.3 | 0.88 | 87 | 7 | 435 | 2.2 | 2.8 | 1.220 | 535 |
| 55 | YD1282-6A0 | 280M | 987 | 93 | 0.88 | 103 | 7 | 532 | 2.2 | 2.8 | 1.427 | 590 |

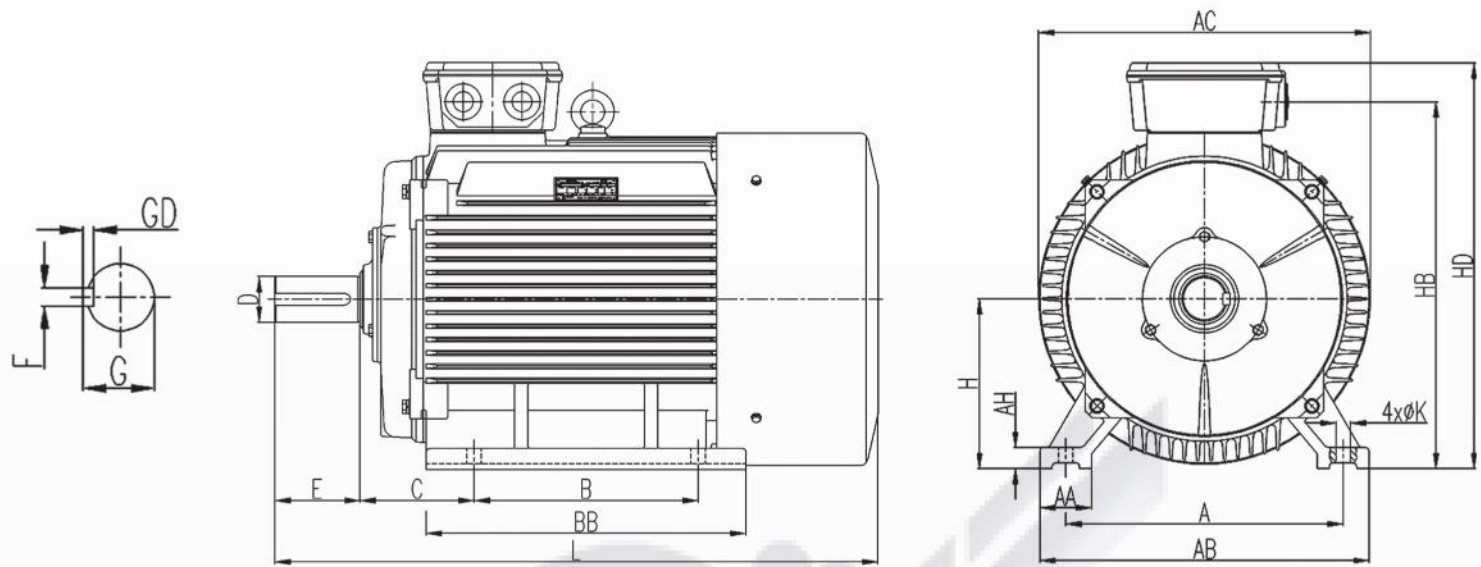
* Depends on request, IP56 is available * FC Motor on request
 * Other types of mounting on request

www.electromegagen.ir | 021-36900486 | 031-33393666

Engineered Motors, YD(Cast Iron)

Dimension Drawings

Low Voltage(380V), Squirrel Cage Motors, IM B3, IC411, IP55, 50Hz



| Frame Size | Poles | H | A | B | C | D | E | F | G | K | AA | AB | BB | AC | AG | AH | HD | HB | L |
|------------|-------|-----|-----|-----|-----|----|-----|----|------|------|----|-----|-----|-----|-----|----|-----|-----|------|
| 132M | 2,4,6 | 132 | 216 | 178 | 89 | 38 | 80 | 10 | 41 | 12 | 50 | 262 | 217 | 258 | 65 | 18 | 347 | 300 | 483 |
| 132S | 2,4,6 | 132 | 216 | 140 | 89 | 38 | 80 | 10 | 41 | 12 | 50 | 262 | 217 | 258 | 65 | 18 | 347 | 300 | 483 |
| 160M | 2 | 160 | 254 | 210 | 108 | 42 | 110 | 12 | 45 | 15 | 68 | 317 | 262 | 317 | 95 | 21 | 419 | 369 | 608 |
| 160L | 2,4 | 160 | 254 | 254 | 108 | 42 | 110 | 12 | 45 | 15 | 68 | 317 | 306 | 317 | 95 | 21 | 419 | 369 | 652 |
| 180M | 2,4 | 180 | 279 | 241 | 121 | 48 | 110 | 14 | 51.5 | 14.5 | 70 | 349 | 311 | 355 | 95 | 22 | 454 | 404 | 662 |
| 180L | 4,6 | 180 | 279 | 279 | 121 | 48 | 110 | 14 | 51.5 | 14.5 | 70 | 349 | 349 | 355 | 95 | 22 | 454 | 404 | 700 |
| 200L | 2,4,6 | 200 | 318 | 305 | 133 | 55 | 110 | 16 | 59 | 18.5 | 70 | 388 | 368 | 397 | 116 | 25 | 504 | 449 | 762 |
| 225S | 4 | 225 | 356 | 286 | 149 | 60 | 140 | 18 | 64 | 18.5 | 75 | 431 | 368 | 446 | 116 | 28 | 552 | 497 | 812 |
| 225M | 2 | 225 | 356 | 311 | 149 | 55 | 110 | 16 | 59 | 18.5 | 75 | 431 | 393 | 446 | 116 | 28 | 552 | 497 | 807 |
| 225M | 4,6 | 225 | 356 | 311 | 149 | 60 | 140 | 18 | 64 | 18.5 | 75 | 431 | 393 | 446 | 116 | 28 | 552 | 497 | 837 |
| 250M | 2 | 250 | 406 | 349 | 168 | 60 | 140 | 18 | 64 | 24 | 80 | 484 | 455 | 485 | 133 | 30 | 610 | 546 | 916 |
| 250M | 4,6 | 250 | 406 | 349 | 168 | 65 | 140 | 18 | 69 | 24 | 80 | 484 | 455 | 485 | 133 | 30 | 610 | 546 | 916 |
| 280S | 2 | 280 | 457 | 368 | 190 | 65 | 140 | 18 | 69 | 24 | 85 | 542 | 525 | 547 | 133 | 35 | 669 | 605 | 991 |
| 280S | 4,6 | 280 | 457 | 368 | 190 | 75 | 140 | 20 | 79.5 | 24 | 85 | 542 | 525 | 547 | 133 | 35 | 669 | 605 | 991 |
| 280M | 2 | 280 | 457 | 419 | 190 | 65 | 140 | 18 | 69 | 24 | 85 | 542 | 581 | 547 | 133 | 35 | 669 | 605 | 1047 |
| 280M | 4,6 | 280 | 457 | 419 | 190 | 75 | 140 | 20 | 79.5 | 24 | 85 | 542 | 581 | 547 | 133 | 35 | 669 | 605 | 1047 |

TYPE YD - LOW VOLTAGE (380V) - Cast Iron Frame



*This table is confirm on the main dimension in mm *Special accessory parts can be assembled by customer order
 *In special application these dimension can be changed by customer order