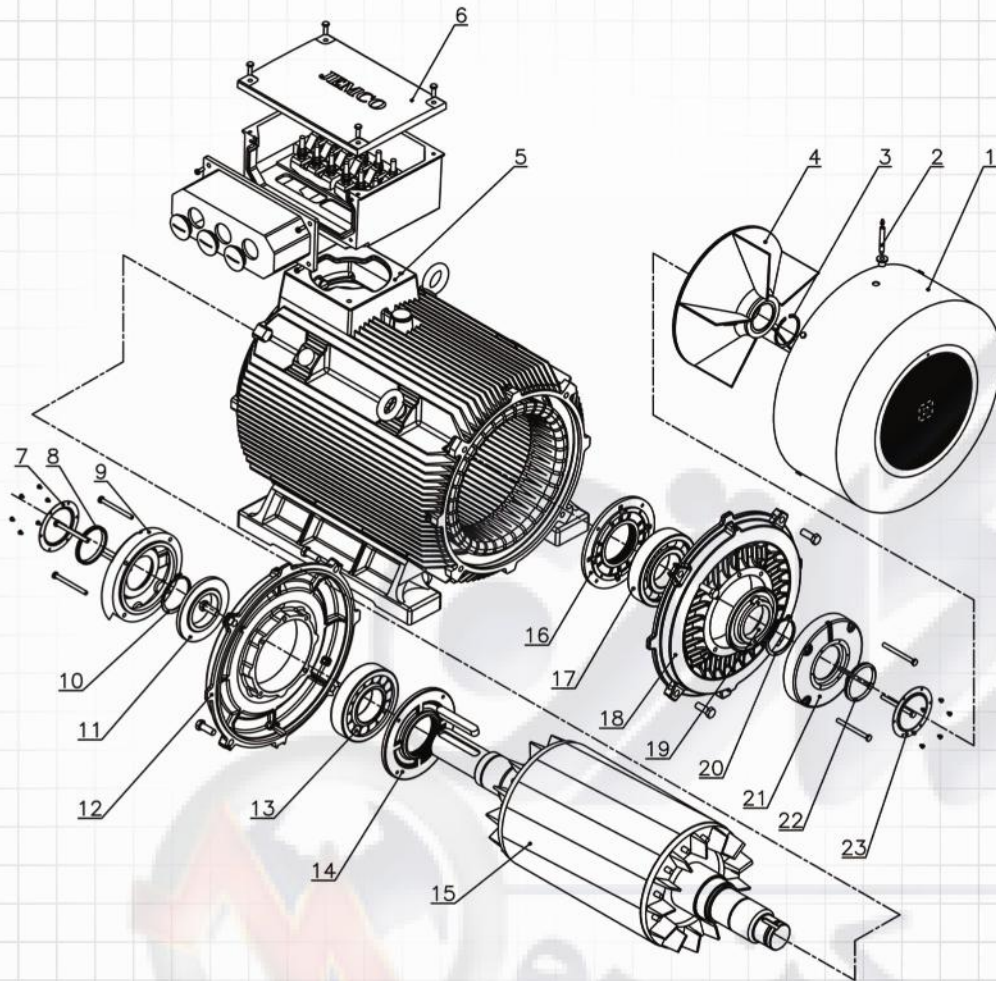


**TYPICAL EXPLODED VIEW OF CAST IRON MOTORS.**



**JEMCO**  
**PRODUCER & PROVIDER**  
**OF ELECTRICAL MOTORS**  
**0.12 KW UP TO 10 MW**

**Jovain Electrical Machines Industries Co.(JEMCO)**

- |  |                                   |
|--|-----------------------------------|
| 1 - Outside Fan Housing                | 13 - Ball Bearing                 |
| 2 - Inlet Lubricating Channel          | 14 - Bearing Cover inside (front) |
| 3 - Retaining Ring                     | 15 - Rotor                        |
| 4 - Fan                                | 16 - Bearing Cover Inside (back)  |
| 5 - Stator Frame with Core and Winding | 17 - Ball Bearing                 |
| 6 - Terminal Box                       | 18 - End Shield (back)            |
| 7 - Cover Plate (front)                | 19 - Bearing Grease Cover (back)  |
| 8 - V-ring                             | 20 - Retaining Ring               |
| 9 - Bearing Cover Outside (front)      | 21 - Bearing Cover outside (back) |
| 10 - Retaining Ring                    | 22 - V- ring                      |
| 11 - Bearing Grease Cover (back)       | 23 - Cover Plate (back)           |
| 12 - End Shield (front)                |                                   |

## TYPE YD - LOW VOLTAGE (380V) SQUIRREL CAGE MOTORS TECHNICAL DATA

Degree of Protection: IP 55, 50 Hz, IM B3, Insulation Class: F/B, Temp.rise: B, S.F.: 1/1

| Output<br>Kw         | Motor Type | Frame Size<br>mm | Speed<br>r/min | Efficiency<br>Full Load 100% | Power factor<br>Full Load 100% | Current             |                   | Torque               |                   |                       | Rotor Inertia<br>kgm <sup>2</sup> | Motor Weight<br>kg |
|----------------------|------------|------------------|----------------|------------------------------|--------------------------------|---------------------|-------------------|----------------------|-------------------|-----------------------|-----------------------------------|--------------------|
|                      |            |                  |                |                              |                                | I <sub>N</sub><br>A | $\frac{I_s}{I_N}$ | T <sub>N</sub><br>Nm | $\frac{T_s}{T_N}$ | $\frac{T_{MAX}}{T_N}$ |                                   |                    |
| 3000 rev/min - 2pole |            |                  |                |                              |                                |                     |                   |                      |                   |                       |                                   |                    |
| 5.5                  | YD1131-2A0 | 132S             | 2930           | 86.5                         | 0.89                           | 10.8                | 7                 | 18                   | 2.2               | 2.7                   | 0.017                             | 65                 |
| 7.5                  | YD1132-2A0 | 132S             | 2930           | 87                           | 0.9                            | 14.6                | 7                 | 24                   | 2.4               | 2.7                   | 0.020                             | 71                 |
| 11                   | YD1163-2A0 | 160M             | 2947           | 89                           | 0.87                           | 21.3                | 6.5               | 35.8                 | 2.1               | 2.9                   | 0.038                             | 117                |
| 15                   | YD1162-2A0 | 160M             | 2932           | 89.7                         | 0.91                           | 29                  | 7                 | 49                   | 2.2               | 2.8                   | 0.040                             | 115                |
| 18.5                 | YD1161-2A0 | 160L             | 2936           | 89.5                         | 0.89                           | 36                  | 7                 | 60                   | 2.2               | 2.8                   | 0.050                             | 142                |
| 22                   | YD1181-2A0 | 180M             | 2940           | 89                           | 0.89                           | 43                  | 7                 | 71                   | 2.2               | 2.8                   | 0.070                             | 171                |
| 30                   | YD1201-2A0 | 200L1            | 2958           | 91                           | 0.88                           | 56                  | 7                 | 97                   | 2.2               | 2.8                   | 0.135                             | 229                |
| 37                   | YD1202-2A0 | 200L2            | 2956           | 91.5                         | 0.87                           | 70                  | 7                 | 120                  | 2.2               | 2.8                   | 0.152                             | 223                |
| 45                   | YD1221-2A0 | 225M             | 2968           | 91.5                         | 0.89                           | 84                  | 7                 | 145                  | 2.2               | 2.8                   | 0.229                             | 304                |
| 55                   | YD1251-2A0 | 250M             | 2970           | 92.2                         | 0.88                           | 103                 | 7                 | 177                  | 2.2               | 2.8                   | 0.442                             | 379                |
| 75                   | YD1281-2A0 | 280S             | 2980           | 92                           | 0.9                            | 141                 | 7                 | 241                  | 2.2               | 2.8                   | 0.769                             | 480                |
| 90                   | YD1282-2A0 | 280M             | 2981           | 92.5                         | 0.91                           | 166                 | 7                 | 288                  | 2.2               | 2.8                   | 0.956                             | 600                |
| 1500 rev/min - 4pole |            |                  |                |                              |                                |                     |                   |                      |                   |                       |                                   |                    |
| 5.5                  | YD1131-4A0 | 132S             | 1455           | 87                           | 0.82                           | 11.5                | 6.3               | 35.5                 | 2.2               | 2.7                   | 0.020                             | 68                 |
| 7.5                  | YD1132-4A0 | 132M             | 1451           | 87.8                         | 0.83                           | 15.6                | 6.9               | 49                   | 2.6               | 2.6                   | 0.025                             | 76                 |
| 11                   | YD1162-4A0 | 160M             | 1460           | 88.1                         | 0.86                           | 22.6                | 6.4               | 72                   | 2                 | 2.7                   | 0.050                             | 103                |
| 15                   | YD1161-4A0 | 160L             | 1454           | 89.5                         | 0.85                           | 30                  | 7                 | 99                   | 2.2               | 2.8                   | 0.052                             | 144                |
| 18.5                 | YD1181-4A0 | 180M             | 1470           | 91                           | 0.86                           | 35                  | 7                 | 120                  | 2.2               | 2.8                   | 0.124                             | 172                |
| 22                   | YD1182-4A0 | 180L             | 1470           | 91.5                         | 0.86                           | 42                  | 7                 | 143                  | 2.2               | 2.8                   | 0.138                             | 182                |
| 30                   | YD1201-4A0 | 200L             | 1475           | 92.5                         | 0.87                           | 57                  | 7                 | 195                  | 2.2               | 2.8                   | 0.227                             | 248                |
| 37                   | YD1221-4A0 | 225S             | 1473           | 92                           | 0.87                           | 69                  | 7                 | 238                  | 2.2               | 2.8                   | 0.457                             | 315                |
| 45                   | YD1222-4A0 | 225M             | 1475           | 92.5                         | 0.9                            | 84                  | 7                 | 290                  | 2.2               | 2.8                   | 0.540                             | 340                |
| 55                   | YD1251-4A0 | 250M             | 1481           | 93                           | 0.88                           | 102                 | 7                 | 355                  | 2.2               | 2.8                   | 0.821                             | 396                |
| 75                   | YD1281-4A0 | 280S             | 1487           | 93.5                         | 0.88                           | 137                 | 7                 | 482                  | 2.2               | 2.8                   | 1.352                             | 529                |
| 90                   | YD1282-4A0 | 280M             | 1489           | 94                           | 0.89                           | 163                 | 7                 | 577                  | 2.2               | 2.8                   | 1.522                             | 650                |
| 1000 rev/min - 6pole |            |                  |                |                              |                                |                     |                   |                      |                   |                       |                                   |                    |
| 3                    | YD1131-6A0 | 132S             | 950            | 80                           | 0.77                           | 7.4                 | 5.8               | 30                   | 2.2               | 2.3                   | 0.017                             | 62                 |
| 4                    | YD1132-6A0 | 132M             | 950            | 82                           | 0.77                           | 9.6                 | 5.8               | 40                   | 2.2               | 2.5                   | 0.021                             | 70                 |
| 5.5                  | YD1133-6A0 | 132M             | 950            | 83                           | 0.79                           | 12.8                | 6                 | 55                   | 2.1               | 2.4                   | 0.028                             | 81                 |
| 7.5                  | YD1161-6A0 | 160M             | 960            | 85.8                         | 0.74                           | 18                  | 4.8               | 74.6                 | 2                 | 2.5                   | 0.050                             | 127                |
| 11                   | YD1162-6A0 | 160L             | 960            | 87.1                         | 0.74                           | 26                  | 5                 | 109                  | 2.1               | 2.6                   | 0.070                             | 150                |
| 15                   | YD1181-6A0 | 180L             | 970            | 90                           | 0.81                           | 32                  | 7                 | 148                  | 2.2               | 2.8                   | 0.188                             | 180                |
| 18.5                 | YD1201-6A0 | 200L1            | 978            | 90.7                         | 0.86                           | 37                  | 7                 | 181                  | 2.2               | 2.8                   | 0.270                             | 238                |
| 22                   | YD1202-6A0 | 200L2            | 982            | 91                           | 0.81                           | 44                  | 7                 | 215                  | 2.2               | 2.8                   | 0.296                             | 235                |
| 30                   | YD1221-6A0 | 225M             | 983            | 91.3                         | 0.84                           | 59                  | 7                 | 291                  | 2.2               | 2.8                   | 0.543                             | 313                |
| 37                   | YD1251-6A0 | 250M             | 991            | 91.5                         | 0.85                           | 70                  | 7                 | 362                  | 2.2               | 2.8                   | 0.925                             | 412                |
| 45                   | YD1281-6A0 | 280S             | 998            | 92.3                         | 0.88                           | 87                  | 7                 | 435                  | 2.2               | 2.8                   | 1.220                             | 535                |
| 55                   | YD1282-6A0 | 280M             | 987            | 93                           | 0.88                           | 103                 | 7                 | 532                  | 2.2               | 2.8                   | 1.427                             | 590                |

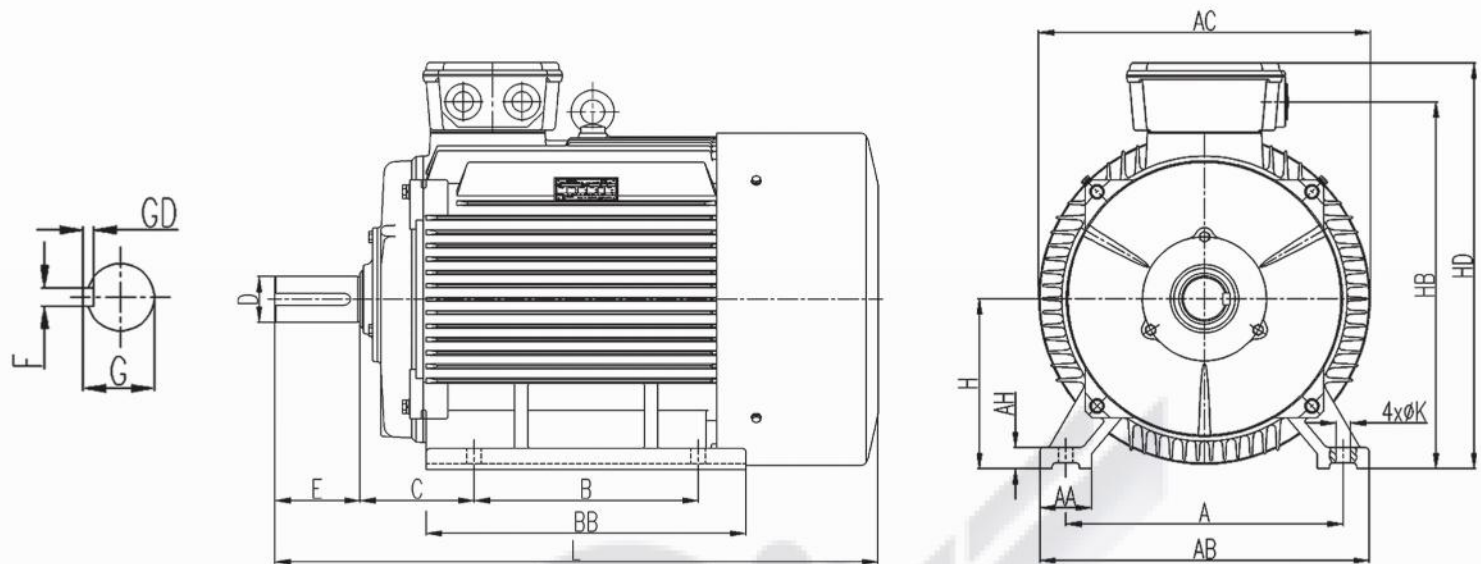
\* Depends on request, IP56 is available      \* FC Motor on request  
\* Other types of mounting on request

www.electromegagen.ir | 021-36900486 | 031-33393666

### Engineered Motors, YD(Cast Iron)

#### Dimension Drawings

Low Voltage(380V), Squirrel Cage Motors, IM B3, IC411, IP55, 50Hz



| Frame Size | Poles | H   | A   | B   | C   | D  | E   | F  | G    | K    | AA | AB  | BB  | AC  | AG  | AH | HD  | HB  | L    |
|------------|-------|-----|-----|-----|-----|----|-----|----|------|------|----|-----|-----|-----|-----|----|-----|-----|------|
| 132M       | 2,4,6 | 132 | 216 | 178 | 89  | 38 | 80  | 10 | 41   | 12   | 50 | 262 | 217 | 258 | 65  | 18 | 347 | 300 | 483  |
| 132S       | 2,4,6 | 132 | 216 | 140 | 89  | 38 | 80  | 10 | 41   | 12   | 50 | 262 | 217 | 258 | 65  | 18 | 347 | 300 | 483  |
| 160M       | 2     | 160 | 254 | 210 | 108 | 42 | 110 | 12 | 45   | 15   | 68 | 317 | 262 | 317 | 95  | 21 | 419 | 369 | 608  |
| 160L       | 2,4   | 160 | 254 | 254 | 108 | 42 | 110 | 12 | 45   | 15   | 68 | 317 | 306 | 317 | 95  | 21 | 419 | 369 | 652  |
| 180M       | 2,4   | 180 | 279 | 241 | 121 | 48 | 110 | 14 | 51.5 | 14.5 | 70 | 349 | 311 | 355 | 95  | 22 | 454 | 404 | 662  |
| 180L       | 4,6   | 180 | 279 | 279 | 121 | 48 | 110 | 14 | 51.5 | 14.5 | 70 | 349 | 349 | 355 | 95  | 22 | 454 | 404 | 700  |
| 200L       | 2,4,6 | 200 | 318 | 305 | 133 | 55 | 110 | 16 | 59   | 18.5 | 70 | 388 | 368 | 397 | 116 | 25 | 504 | 449 | 762  |
| 225S       | 4     | 225 | 356 | 286 | 149 | 60 | 140 | 18 | 64   | 18.5 | 75 | 431 | 368 | 446 | 116 | 28 | 552 | 497 | 812  |
| 225M       | 2     | 225 | 356 | 311 | 149 | 55 | 110 | 16 | 59   | 18.5 | 75 | 431 | 393 | 446 | 116 | 28 | 552 | 497 | 807  |
| 225M       | 4,6   | 225 | 356 | 311 | 149 | 60 | 140 | 18 | 64   | 18.5 | 75 | 431 | 393 | 446 | 116 | 28 | 552 | 497 | 837  |
| 250M       | 2     | 250 | 406 | 349 | 168 | 60 | 140 | 18 | 64   | 24   | 80 | 484 | 455 | 485 | 133 | 30 | 610 | 546 | 916  |
| 250M       | 4,6   | 250 | 406 | 349 | 168 | 65 | 140 | 18 | 69   | 24   | 80 | 484 | 455 | 485 | 133 | 30 | 610 | 546 | 916  |
| 280S       | 2     | 280 | 457 | 368 | 190 | 65 | 140 | 18 | 69   | 24   | 85 | 542 | 525 | 547 | 133 | 35 | 669 | 605 | 991  |
| 280S       | 4,6   | 280 | 457 | 368 | 190 | 75 | 140 | 20 | 79.5 | 24   | 85 | 542 | 525 | 547 | 133 | 35 | 669 | 605 | 991  |
| 280M       | 2     | 280 | 457 | 419 | 190 | 65 | 140 | 18 | 69   | 24   | 85 | 542 | 581 | 547 | 133 | 35 | 669 | 605 | 1047 |
| 280M       | 4,6   | 280 | 457 | 419 | 190 | 75 | 140 | 20 | 79.5 | 24   | 85 | 542 | 581 | 547 | 133 | 35 | 669 | 605 | 1047 |

#### TYPE YD - LOW VOLTAGE (380V) - Cast Iron Frame



\*This table is confirm on the main dimension in mm \*Special accessory parts can be assembled by customer order  
 \*In special application these dimension can be changed by customer order