

## IEC Three Phase Squirrel-Cage Motors Standard Motors up to Frame Size 160

### Technical Data

Aluminium housing, Basic version

IE1	Rated Output kW	Size	Type	Rated Speed rpm	Nominal Efficiency	Power Factor	Rated Current at 400V A	Rated Torque Nm	Starting Torque	Starting Current
									For Direct-on-line starting as multiple of the rated	
									Torque	Current
1000 rpm, 6-poles, 50 Hz, 400V										
	0.09	63	41904	850	45.0	0.66	0.44	1.0	1.8	2.0
	0.18	71	36184	850	53.0	0.73	0.67	2.0	2.1	2.3
	0.25		36255	860	60.0	0.76	0.79	2.8	2.2	2.7
	0.37	80	38374	920	62.0	0.72	1.20	3.8	1.9	3.1
	0.55		38554	910	67.0	0.74	1.60	5.8	2.1	3.4
	0.75	90	40754	915	69.0	0.76	2.05	7.8	2.2	3.7
	1.1		40115	915	72.0	0.77	2.85	11.0	2.3	3.8
	1.5	100L	44155	925	74.0	0.75	3.90	15.0	2.3	4.0
	2.2	112M	47225	940	78.0	0.78	5.20	22.0	2.2	4.6
	3	132	50035	950	79.0	0.76	7.20	30.0	1.9	4.2
	4		50045	950	80.5	0.76	9.40	40.0	2.1	4.5
	5.5		50555	950	83.0	0.76	12.60	55.0	2.3	5.0
	7.5	160	53755	960	86.0	0.74	17.00	75.0	2.1	4.6
	11		53115	960	87.5	0.74	24.50	109.0	2.3	4.8
750 rpm, 6-poles, 50 Hz, 400V										
	0.09	71	36905	630	53.0	0.68	0.36	1.4	1.9	2.2
	0.12		36125	645	53.0	0.64	0.51	1.8	2.2	2.2
	0.18	80	38185	675	51.0	0.68	0.75	2.5	1.7	2.3
	0.25		38255	685	55.0	0.64	1.02	3.5	2.0	2.6
	0.37	90	40375	675	63.0	0.75	1.14	5.2	1.6	2.9
	0.55		40555	675	66.0	0.76	1.58	7.8	1.7	3.0
	0.75	100L	44755	680	66.0	0.76	2.15	11.0	1.6	3.0
	1.1		44115	680	72.0	0.76	2.90	15.0	1.8	3.3
	1.5	112M	47155	705	74.0	0.76	3.85	20.0	1.8	3.7
	2.2	132	50227	700	75.0	0.74	5.70	30.0	1.9	3.9
	3		50037	700	77.0	0.74	7.60	41.0	2.1	4.1
	4	160	53045	715	80.0	0.72	10.00	53.0	2.2	4.5
	5.5		53555	710	83.5	0.73	13.00	74.0	2.3	4.7
	7.5		53755	715	85.5	0.72	17.60	100.0	2.7	5.3

\* Flange-mounted (B5) and foot-mounted (B3) are available for all type of motors.

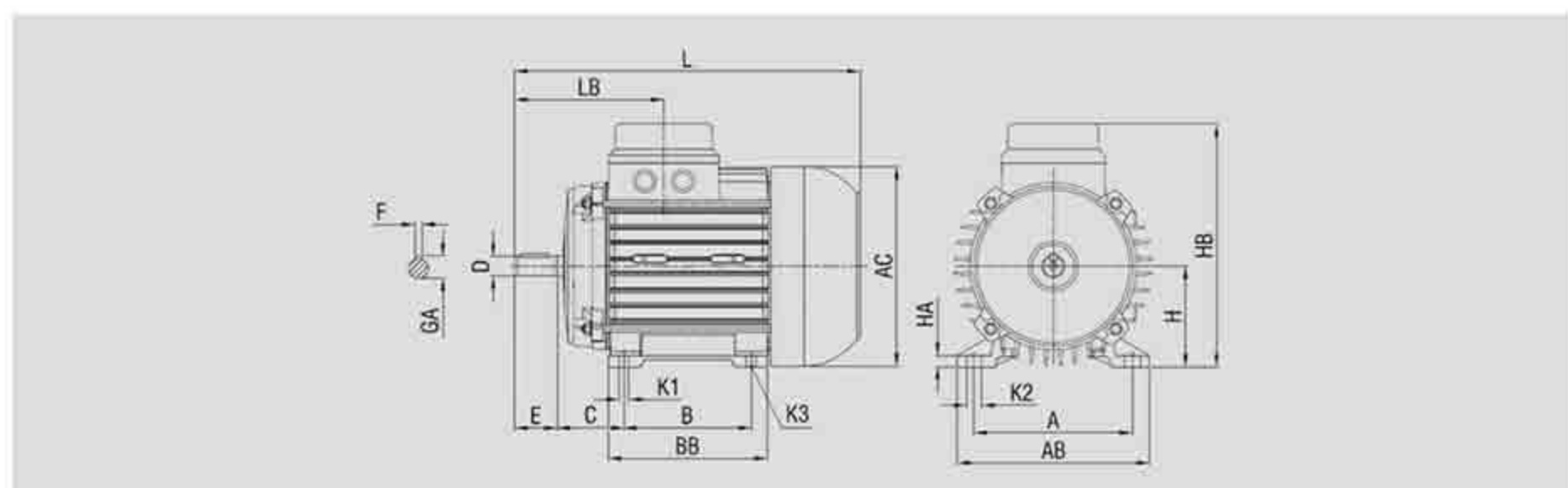
## IEC Three Phase Squirrel-Cage Motors Foot-Mounted Motor, IMB3

### Dimensions

Aluminium housing



Frame Size	No. of Poles	Dimension drawing according to IEC																	
		H	B	A	C	K1	K2	K3	D	E	F	GA	HA	BB	AB	AC	HB	LB	L
63	2-8	63	80	100	40	7	12	M6	11	23	4	12.5	7	101	120	124	157	91.5	208
71		71	90	112	47		15		14	30	5	16	8	112	136	141	176	105	244
80		100	80	125	50	9	15.5	M8	19	40	6	21.5	12	125	150	159	203	118	273
90S							18												
90L		17.5	8	155	175	193	194.5	235	152.5	403									
100		100	140	160	63	12	21	M10	28	60	8	31	16	175	233	219.5	260	154	432
112		112	140	190	70		22												
132		132	178	216	89	12	22	M12	42	110	12	45	23	302	318	313	388	264	620
160		160	254	254	108	13	23												





الكتروجنكو

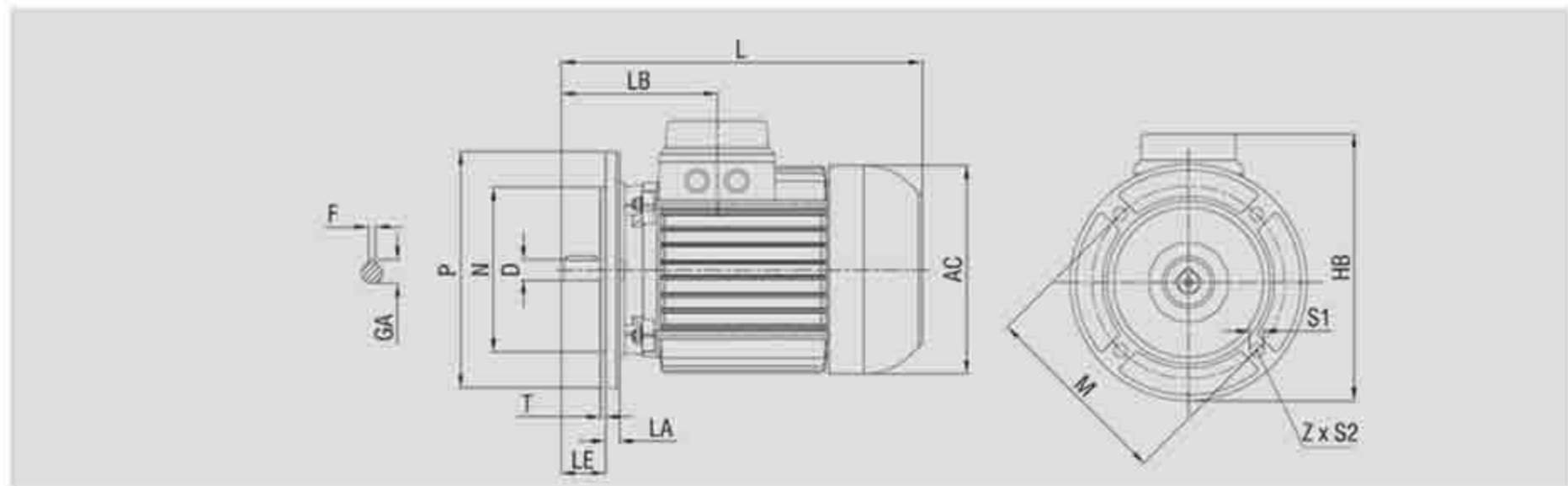
## IEC Three Phase Squirrel-Cage Motors Flange-Mounted Motor, IMB5

### Dimensions

Aluminium housing



Frame Size	No. of Poles	Dimension drawing according to IEC															
		P	N	M	LA	T	D	LE	F	GA	AC	HB	Z	S1	S2	LB	L
63	2-8	140	95	115	10	3	11	23	4	12.5	124	160	4	9	M8	91.5	208
71		160	110	130	9	3.5	14	30	5	16	141	185				105	244
80		200	130	165	11		19	40	6	21.5	159	223		118	273		
90S							24	50	27	176	226	133		306			
90L		250	180	215	12.5	4	28	60	8	31	194.5	260		13	M12	152.5	403
100					15					219.5	272	154				416	
112		300	230	265	17	38	80	10	41	259	346	14.5		193	532		
132		350	250	300	19	5	42	110	12	45.1	313	404		17	M16	264	615



## IEC Three Phase Squirrel-Cage Motors Foot and Flange-Mounted Motor,IMB35

### Dimensions

Aluminium housing



Frame Size	No. of Poles	Dimension drawing according to IEC																							
		P	N	M	LA	T	D	LE	F	GA	AC	HB	Z	S1	S2	LB	L	B	A	K1	K2	K3	HA	BB	AB
63	2-8	140	95	115	10	3	11	23	4	12.5	124	160	4	9	M8	91.5	208	80	100	7	12	M6	7	101	120
71		160	110	130	9	3.5	14	30	5	16	141	185				105	244	90	112				15	8	112
80		200	130	165	11		19	40	6	21.5	159	223		12	M10	118	273	100	125	9	15.5	M8	12	125	150
90S						24	50	8	27	176	226	133				306	140		10	18	15		123	174	
90L		250	180	215	12.5	4	28		60	31	194.5	260		13	M12	152.5		403	140	160		12	21	M10	16
100					15			154			416	190				17.5	176	233							
112		300	230	265	17	5	38	80	10	41	259	346		14.5	M16	193	532	178	216	12	22	M12	23	218	262
132		350	250	300	19		42	110	12	45.1	313	404		17		264	615	254	254					12.5	23
160																									

